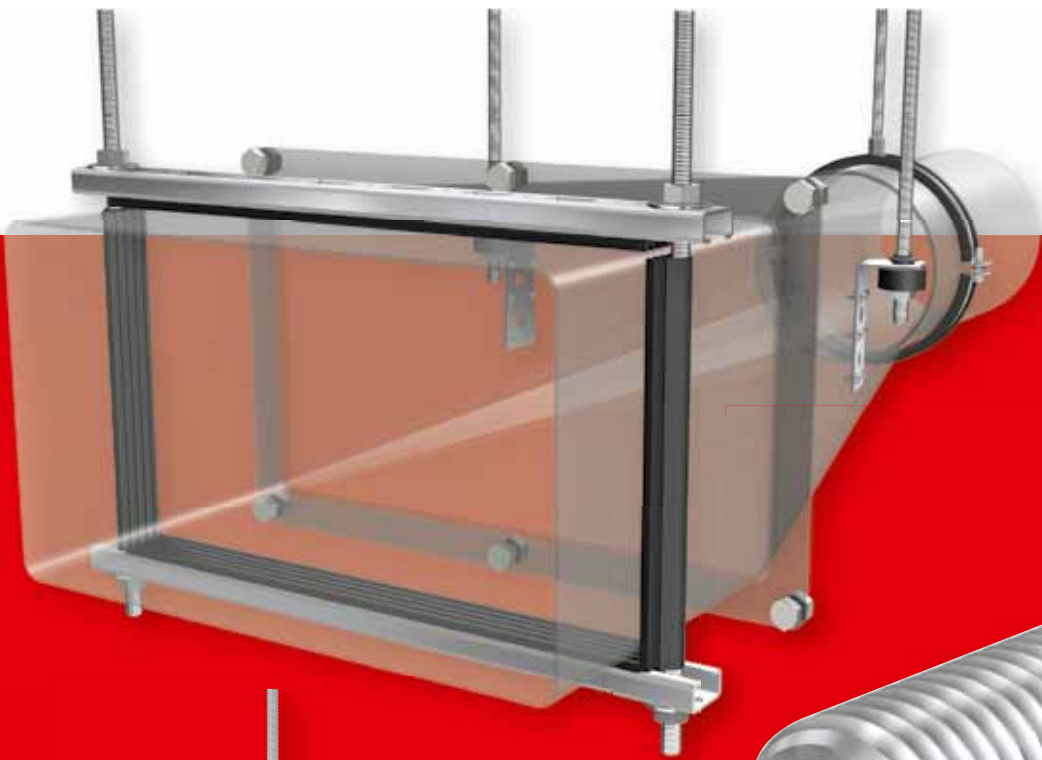


16.

Mounting Accessories

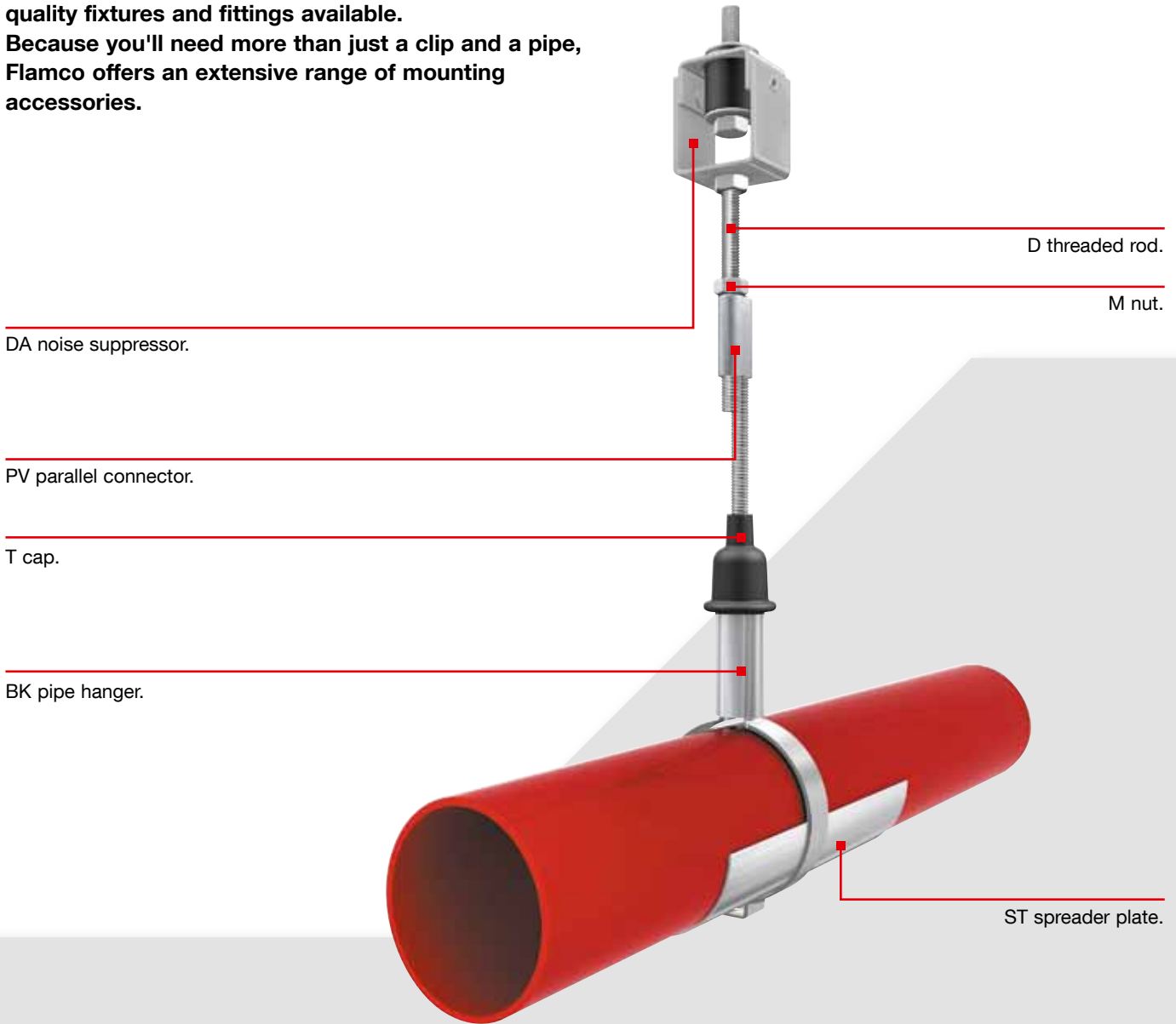
All pipes are subject to thermal expansion or contraction. It is therefore essential that the designer or installer selects the correct support system to accommodate such movement.

The comprehensive range of Flamco pipe support systems and components provide a solution for all conditions and pipe materials including fixed-point installations.



Everything else you need for optimal installation

Proper pipe support demands there is a wide range of quality fixtures and fittings available. Because you'll need more than just a clip and a pipe, Flamco offers an extensive range of mounting accessories.



PROFILE CLIPS
AND CLAMPS



EXPANSION UNITS

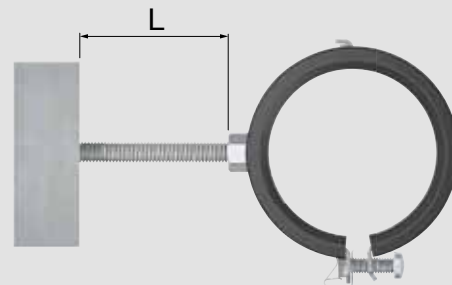


CONNECTORS AND
ADAPTERS

Table of threaded products for wall mounting

Ø	Threaded rod (ISO 965-2, Quality 4.8)								Pipes with internal thread (ISO 228)	Pipes with external thread (ISO 228)			
	M 6	M 8	M 10	M 12	M 16	M 20	M 22	M 24	½"	¾"	½"	¾"	1"
I _x [mm ⁴]	25	86	218	462	1655	4033	6250	8287	4189	1961	3429	8752	22151
W _x [mm ³]	11	27	53	94	244	476	662	818	351912	164741	368	1293	1463
M _b [Nmm]	1705	4254	8535	15012	39078	76224	105880	130822	62940	41979	58902	206832	234011
L [mm]	Max. load on end of rod/pipe L [N]												
50	34	85	171	300	782	1524	2118	2616	1259	840	1178	4137	4680
75	19	57	114	200	521	1016	1412	1744	839	560	785	2758	3120
100	11	36	85	150	391	762	1059	1308	629	420	589	2068	2340
125	-	23	59	120	313	610	847	1047	504	336	471	1655	1872
150	-	16	41	86	261	508	706	872	420	280	393	1379	1560
175	-	12	30	63	223	436	605	748	360	240	337	1182	1337
200	-	-	23	49	174	381	529	654	315	206	295	919	1170
225	-	-	18	38	137	335	471	581	280	163	262	726	1040
250	-	-	15	31	111	271	420	523	252	132	230	588	936
300	-	-	10	22	77	188	292	387	196	92	160	408	780
350	-	-	-	16	57	138	214	284	144	67	118	300	669
400	-	-	-	12	43	106	164	218	110	51	90	230	581
450	-	-	-	10	34	84	130	172	87	41	71	182	459
500	-	-	-	-	28	68	105	139	70	33	58	147	372
600	-	-	-	-	19	47	73	97	49	23	40	102	258
700	-	-	-	-	14	35	54	71	36	17	29	75	190
800	-	-	-	-	11	26	41	54	27	13	23	57	145
900	-	-	-	-	-	21	32	43	22	10	18	45	115
1000	-	-	-	-	-	17	26	35	18	-	14	37	93

f =	$\frac{F \times L^3}{3 \times E \times I}$	mm	Deflection
f _{max} =	$\frac{L}{150}$	mm	Permissible deflection
σ =	$\frac{F \times L}{W}$	N/mm ²	Tension
σ _{max} =	160	N/mm ²	Permissible bending stress
I _x =	$\frac{\pi \times d^4}{64}$	mm ⁴	Moment of inertia
W _x =	$\frac{\pi \times d^3}{32}$	mm ³	Section modulus
E =	21,000	N/mm ²	Tensile modulus
M _b =	25	Nmm	Bending moment



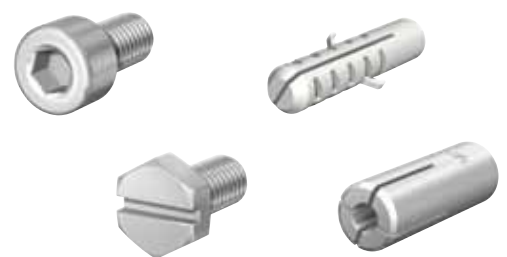
The lowest value is normative.



THREADED RODS AND ROD ENDS



THREADED STUDS AND SELF TAPPING CONCRETE SCREWS



BOLTS, PLUGS, SCREWS AND ANCHORS



THREADED RODS AND STUDS

D Threaded Ends

For all fixing and constructions requiring threaded rod.

- Electrolytically zinc plated.
- As per ISO 965-2.
- Material S235JRG2 EN 10250/2.

Type	Connection	L. [mm]		Order Code
D 8 x 25	M 8	25	100	70750
D 8 x 40	M 8	40	100	70751
D 8 x 70	M 8	70	100	70752
D 8 x 80	M 8	80	100	70753
D 8 x 100	M 8	100	100	70754
D 8 x 150	M 8	150	100	70760
D 8 x 200	M 8	200	100	70761
D 10 x 25	M 10	25	100	70755
D 10 x 40	M 10	40	100	70756
D 10 x 60	M 10	60	100	70757
D 10 x 80	M 10	80	100	70758
D 10 x 100	M 10	100	100	70759
D 10 x 120	M 10	120	100	70762
D 10 x 150	M 10	150	100	70763
D 10 x 200	M 10	200	100	70764



Threaded Tube

Female thread.

Type	Connection	L. [mm]		Order Code
Threaded pipe 1/2 x 1 m	1/2"	1000	1 m	51615



Threaded Tube

Male thread.

Type	Size	L. [mm]		Order Code
Threaded pipe R 3/8 x 2 m	R 3/8" M	2000	1	51610
Threaded pipe R 1/2 x 2 m	R 1/2" M	2000	1	51611
Threaded pipe R 3/4 x 2 m	R 3/4" M	2000	1	51612
Threaded pipe R 1 x 2 m	R 1" M	2000	1	51613



DS Threaded Nipples

For fixing BS universal clips.

- Electrolytically zinc plated.
- In combination with BMF backplate assemblies, suitable for double wall clip fixing.

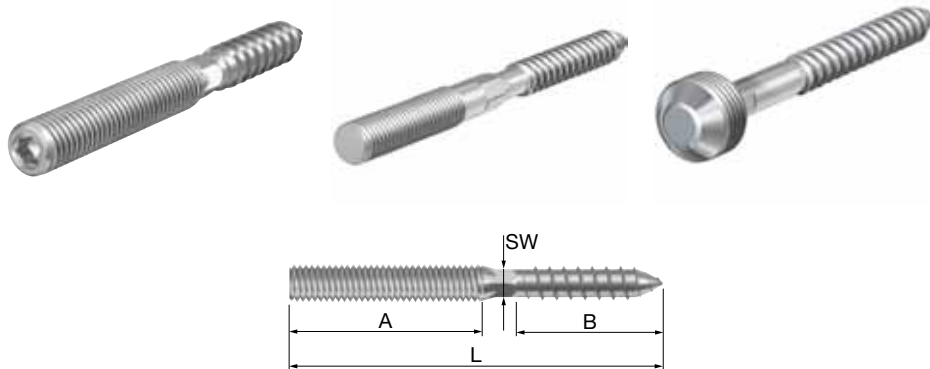


Type	Connection	Dimensions				Order Code
		L [mm]	A [mm]	B [mm]		
DS 8 x 25	M 8	25	5	5	10	63211
DS 8 x 35	M 8	35	5	5	10	63212
DS 8 x 45	M 8	45	5	5	10	63213
DS 8 x 55	M 8	55	5	5	10	63214
DS 8 x 65	M 8	65	5	5	10	63215

HO Dowel Screws

Machine thread to wood thread dowel screws for fixing BM wall clips and BS universal clips.

- Without plug.
- Electrolytically zinc plated.
- As per DIN 13, part 12, rolled thread.
- With torques.
- Without collar.
- With hexagonal midsection.



Type	Connection	Dimensions					Order Code	
		L [mm]	A [mm]	B [mm]	Spanner size (SW)	Ø [mm]		
HO 8 x 50	M 8	50	15	30	-	7	100	70607
HO 8 x 50	M 8	50	10	35	-	8	100	51700
HO 8 x 80	M 8	80	40	30	6	7	100	70601
HO 8 x 80	M 8	80	40	30	6	8	100	51701
HO 8 x 100	M 8	100	40	40	6	7	100	51702
HO 8 x 120	M 8	120	50	50	8	7	100	70604
HO 8 x 120	M 8	120	50	50	8	7	100	51703
HO 8 x 140	M 8	140	50	60	-	7	100	51704
HO 8 x 160	M 8	160	50	50	-	7	100	51705
HO 10 x 60	M 10	60	20	30	-	9	100	51706
HO 10 x 70	M 10	70	30	30	8	9	100	70608
HO 10 x 80	M 10	80	20	50	-	9	100	51707
HO 10 x 90	M 10	90	30	50	8	9	100	70602
HO 10 x 100 (without Torx)	M 10	100	30	60	-	9	100	51708
HO 10 x 120	M 10	120	50	60	8	9	100	70605
HO 10 x 120 (without Torx)	M 10	120		50	8	10	100	52406
HO 10 x 120	M 10	120	40	55	8	9	100	51709
HO 10 x 140	M 10	140	50	60	-	9	100	51710
HO 10 x 160	M 10	160	40	60	-	9	100	51711
HO 10 x 180	M 10	180	40	60	-	9	100	51712
HO 12 x 100	M 12	100	35	50	-	9	100	51713
HO 12 x 120 (without Torx)	M 12	120	40	60	9	12	100	51714
HO 12 x 120	M 12	120	40	60	9	11	100	70603
HO 1/2 x 120* (without Torx)	G 1/2"	120	10	70	-	10	100	52405

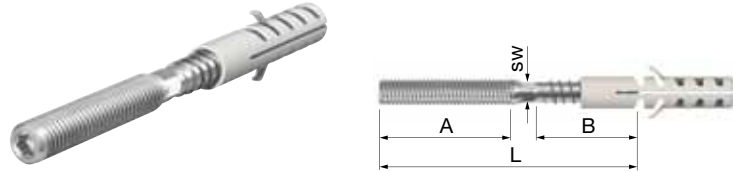
* With two-sided midsection.



HD Dowel Screws

Machine thread to wood thread dowel screws for fixing BM wall clips and BS universal clips.

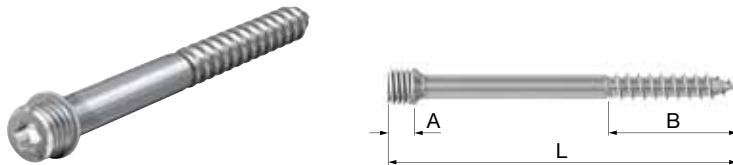
- With plug.
- Electrolytically zinc plated.
- As per DIN 13, part 12, rolled thread.
- With torques.
- Without collar.
- With hexagonal midsection.



Type	Connection	Dimensions					Order Code	
		L [mm]	A [mm]	B [mm]	Spanner size (SW)	Ø [mm]		
HD 8 x 50	M 8	50	15	30	-	7	100	71206
HD 8 x 80	M 8	80	40	30	6	7	100	71201
HD 8 x 120	M 8	120	50	50	6	7	100	71204
HD 10 x 70	M 10	70	30	30	8	9	100	71208
HD 10 x 90	M 10	90	30	50	8	9	100	71202
HD 10 x 120	M 10	120	40	60	8	9	100	71205
HD 12 x 120	M 12	120	40	60	9	11	100	71203

HO-K Threaded Studs With Collar

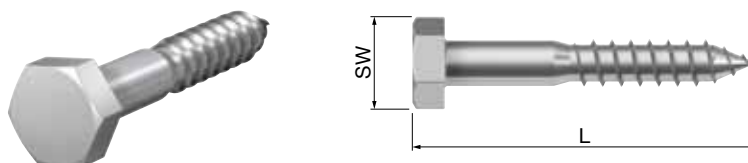
- Electrolytically zinc plated.
- As per DIN 13, part 12, rolled thread.
- With torques.
- With collar.
- With rounded midsection.



Type	Connection	Dimensions				Order Code	
		L [mm]	A [mm]	B [mm]	Ø [mm]		
HO-K 10 x 50	M 10	50	7	35	7	100	51730
HO-K 10 x 80	M 10	80	7	55	7.5	100	51731
HO-K 10 x 100	M 10	100	7	55	7.5	100	51732
HO-K 10 x 120	M 10	120	7	55	7.5	100	51733
HO-K 10 x 140	M 10	140	7	55	7.5	100	51734

HZ Hex Head Wood Screws

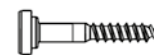
- Electrolytically zinc plated.
- As per DIN 13, part 12, rolled thread.
- With hexagonal head.



Type	Dimensions				Order Code
	Spanner size [SW]	L [mm]	Ø [mm]		
HZ 8 x 50	13	50	8	50	70606
HZ 8 x 50 with plug	13	50	8	100	70616

HZI Wood Screw Studs

Type	Ø [mm]	Suitable for rail		Order Code
HZI 6 x 40	8	R 1, R 2	50	70630



D Threaded Rods

For all fixing and constructions requiring threaded rod.

- Electrolytically zinc plated.
- As per ISO 965-2.
- Material S235JRG2 EN 10250/2.

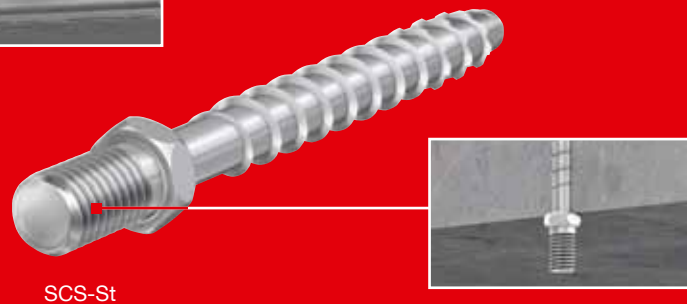
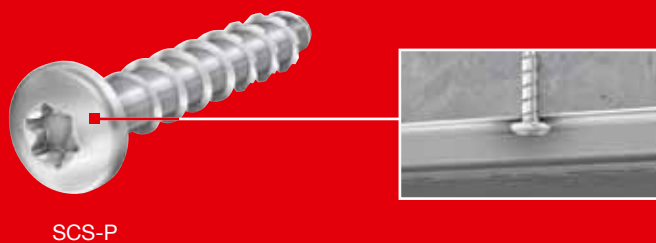
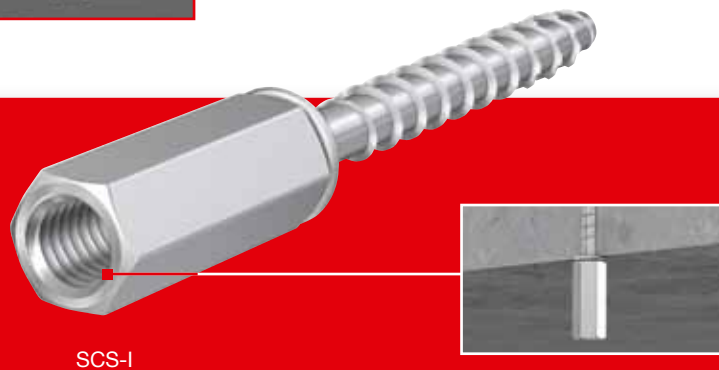
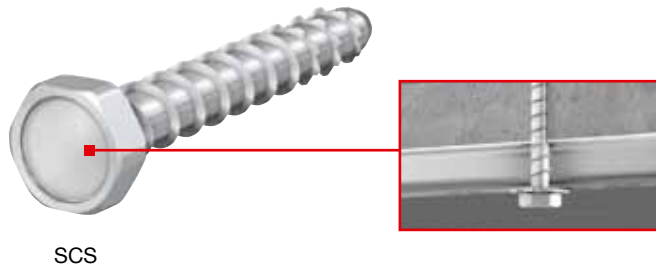
Type	Connection	Length (m)	Max. working load [N]		Order Code
D 6	M 6	1	2500	100	70011
D 6	M 6	2	2500	50	70031
D 8	M 8	1	4500	50	70012
D 8	M 8	2	4500	50	70032
D 10	M 10	1	7000	25	70013
D 10	M 10	2	7000	25	70033
D 10	M 10	3	7000	25	70043
D 12	M 12	1	10000	25	70014
D 12	M 12	2	10000	20	70034
D 12	M 12	3	10000	20	70044
D 16	M 16	1	18000	10	70015
D 16	M 16	2	18000	10	70035
D 20	M 20	1	25000	1	70016
D 24	M 24	1	35000	10	70017



SCS Self Tapping Concrete Screws

The innovative fastening system for concrete and brickwork with general type approval. The approved mounting system uses a new way of applying anchoring technology. The screw anchor can be fitted without plugs.

The advantage: significant time savings when mounting/unmounting.



The technical arguments will convince anyone


Low torquing levels, fastening without spread pressure and approval for use with cracked uncracked concrete are the most significant technical features of these concrete screws. SCS concrete screws create a fastening that retains its shape, without spread pressure, in half the time. Using SCS concrete screws it is possible to work close to the edge, recycle elements and work without a torque spanner, among other things.

- There is no curing time, the anchor can be loaded immediately.
- Fastening from inside the rail is possible at all times.
- There is no prescribed turning torque monitoring.
- Machine assembly presents no problems.
- Represents time savings of up to 50%.
- Can be completely disassembled.
- Has general type approval.



SCS Self Tapping Concrete Screw

With hexagon head.

Type	Dimensions		Spanner size (SW)	Drill diameter [mm]	Drill depth [mm]	Adm. tension load		Rec. tensile stress non-cracked concrete C20/C25 [kN]		Order Code
	Ø [mm]	L. [mm]				cracked concrete C20/25 [kN]	non-cracked concrete C20/25 [kN]			
SCS 7.5 x 50	7.5	50	13	6	55	0.5**	2.0**	3.7	100	82050
SCS 7.5 x 60	7.5	60	13	6	55 / 65	2.0*	3.1*	5.3	100	82051
SCS 7.5 x 80	7.5	80	13	6	55 / 65	2.0*	3.1*	5.3	50	82052
SCS 10 x 60	10	60	16	8	65	0.8**	-	5	50	82055
SCS 10 x 80	10	80	16	8	75	3.7*	4.9*	6.8	50	82056
SCS 10 x 100	10	100	16	8	75	3.7*	4.9*	6.8	25	82057


* In accordance with ETA 05/0010.

** In accordance with DIBT-approval report no. Z-21.1-1503.



SCS-St Self-tapping Concrete Screw

With metric outer thread.

Typ	Dimensions		Spanner size (SW)	Drill diameter [mm]	Drill depth [mm]	Adm. tension load		Rec. tensile stress non-cracked concrete C20/C25 [kN]		Order Code
	Ø [mm]	L. [mm]				cracked concrete C20/25 [kN]	non-cracked concrete C20/25 [kN]			
SCS-St 7.5 x 80	7.5	80	10	6	65	2.0*	3.1*	5.3	50	82053


* In accordance with ETA 05/0010.



SCS-I Self-tapping Concrete Screw

With female thread.

Including removable combination nut.


Typ	Dimensions		Spanner size (SW)	Drill diameter [mm]	Drill depth [mm]	Adm. tension load		Rec. tensile stress non-cracked concrete C20/C25 [kN]		Order Code
	Ø [mm]	L. [mm]				cracked concrete C20/25 [kN]	non-cracked concrete C20/25 [kN]			
SCS-I 7.5 x 60	7.5	60	13	6	65	2.0*	3.1*	5.3	40	82054

* In accordance with ETA 05/0010.



SCS-P Self-tapping Concrete Screw

With round head.

Typ	Dimensions		Torx	Drill diameter [mm]	Drill depth [mm]	Adm. tension load		Rec. tensile stress non-cracked concrete C20/C25 [kN]		Order Code
	Ø [mm]	L. [mm]				cracked concrete C20/25 [kN]	non-cracked concrete C20/25 [kN]			
SCS-P 7.5 x 25 *	7.5	25	40	6	30	-	-	1.2	200	82058
SCS-P 7.5 x 45	7.5	45	40	6	55	0.5**	2.0**	3.7	100	82059

* No part of the certification.

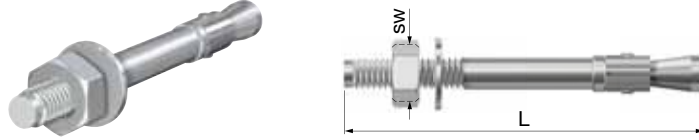
** In accordance with DIBT-approval report no. Z-21.1-1503.





ANCHORS

AS Segment Anchor



Type	Connection	Dimensions		Drill diameter [mm]	Drill depth [mm]	Shear load * [kN]	Pull-out load * [kN]		Order Code
		L [mm]	Spanner size (SW)						
AS 8 x 75 **	M 8	75	13	8	65	5.31	4.84	100	82035
AS 8 x 50	M 8	50	13	8	40	-	-	100	82030
AS 8 x 90	M 8	90	13	8	65	5.31	4.84	100	82036
AS 8 x 115	M 8	115	13	8	65	5.31	4.84	100	82037
AS 10 x 90	M 10	90	17	10	70	8.19	6.03	100	82040
AS 10 x 120	M 10	120	17	10	70	8.19	6.03	50	82041
AS 10 x 150	M 10	150	17	10	70	8.19	6.03	50	82042
AS 12 x 110	M 12	110	19	12	85	11.77	9.29	50	82045
AS 12 x 150	M 12	150	19	12	85	11.77	9.29	50	82046
AS 12 x 160	M 12	160	19	12	85	11.77	9.29	50	82047

* In non-cracked concrete C20/25, -5 °C - 50 °C.
 ** Comes standard with S 8s 8 x 28 washer.



AP Push-in Anchor

Type	Con- nection	Drill diameter [mm]	Drill depth [mm]	Rec. tension load * [kN]	Approval			Order Code
					FM	VdS		
AP 6	M 6	8	-	-	-	-	100	82000
AP 8	M 8	10	33	2.8	-	✓	100	82001
AP 10	M 10	12	44	4.2	✓	✓	100	82002
AP 12	M 12	15	54	7.4	✓	✓	50	82003



* In non-cracked concrete C20/25.



APP Pin

For AP push-in anchor.

Type	Connection		Order Code
APP 6	M 6	1	82005
APP 8	M 8	1	82006
APP 10	M 10	1	82007
APP 12	M 12	1	82008



AB Brass Anchor


Type	Connection		Order Code
AB 6	M 6	100	82010
AB 8	M 8	100	82011
AB 10	M 10	100	82012



AT Tipping Dowel

Special attachment for false ceilings, hollow walls and corrugated sheets.

- VdS approved.
- With large washer.


Type	Connection	L. [mm]		Order Code
AT 8 x 100	M 8	100	25	82025
AT 10 x 100	M 10	100	25	82026



VdS


PM Steel Plug

Particularly suitable for aerated concrete blocks.

Type	Dimensions			Order Code
	Ø [mm]	L. [mm]		
PM 6 x 32	6	32	200	82015
PM 8 x 38	8	38	100	82016
PM 10 x 60	10	60	100	82017



PP Plastic Plug

Type	Dimensions		Drill diameter [mm]	Drill depth [mm]	Min. ins. depth [mm]		Order Code
	Ø [mm]	L. [mm]					
PP 8	8	40	8	25	20	100	82020
PP 10	10	50	10	60	50	100	82021
PP 12	12	60	12	70	60	100	82022




DRIVE TOOL

For the easy tightening of wood screw studs, coach screws and studs.

Drive Tool

- Electrolytically zinc plated.
- One assembly spanner with four different thread sizes.
- Rotating lever.

Type	Connection		Order Code
Drive tool	M 6 / M 8 / M 10 / M 12	50	71400





NOISE SUPPRESSION STRIPS

For insertion in clip and rail fittings.

- Rubber EPDM.
- At normal frequency and pressure range, noise suppression 20 dB(A).
- Suitable for temperatures -40 °C to +110 °C.
- Electrical values: specific resistance: $2 \times 10^9 \Omega\text{cm}$.
- Surface resistance: $2 \times 10^9 \Omega$.

N.B.: When noise suppression strip is used, the chosen clip must be able to accommodate the outside diameter of the pipe to be fitted.

SR
Suitable for BM, BK or BSF clips.

- Breaking elongation: 400%.
- Tensile strength: 500 N/cm².
- Impact resilience: 35%.

Type	Dimensions			Clip Type	Clip For strip dimension [mm]		Order Code
	B [mm]	H [mm]	D [mm]				
SR 0	13.5	5.7	3	BM 8	10 x 1.25	1	71121
SR 1	16	7.2	3.9	BK 6/BM 10	12 x 1.55	1	71111
SR 2	20.5	10.5	6.3	BK 8/BM 12	16 x 1.95	1	71112
SR 3	31	12	6.3	BK 12	25 x 2.75	1	71113
SR 25/ 26*	-	-	-	-	25 x 2.5	1	71141
SR 28*	-	-	-	-	20 x 2.5	1	71142

* For BSF clips.

SR 4
Suitable for Flamco rail (Except R0) and M8 threaded rod.

- Breaking elongation: 400%.
- Tensile strength: 500 N/cm².
- Impact resilience: 35%.

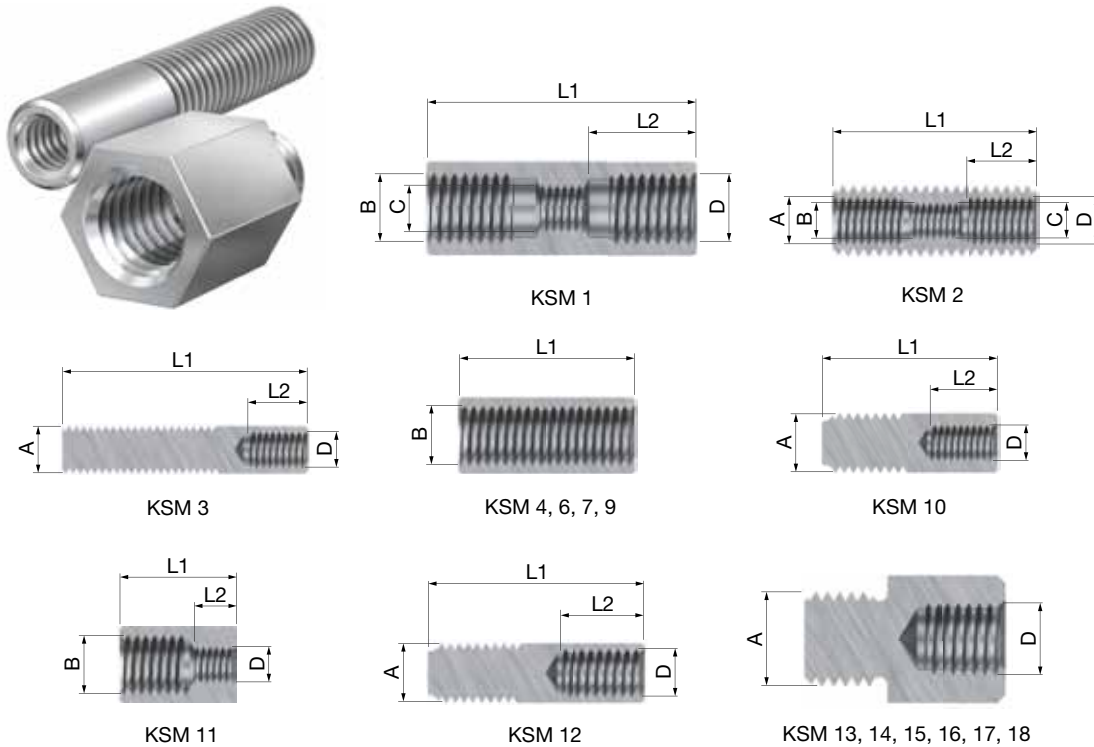
Type	Dimensions			Suitable for		Order Code
	B [mm]	H [mm]	D [mm]			
SR 4	30	20	7	Threaded rod M 8 / Rail R 1 - R 8	20	71114

CONNECTORS

KSM Connectors

For connecting BK pipe hangers under each other, two threaded rods, or BS universal clips.

- Electrolytically zinc plated.
- As per DIN 13, part 12, rolled thread.



Type	Connection				Dimensions		Shape	📦	Order Code
	A [mm]	B [mm]	C [mm]	D [mm]	L1 [mm]	L2 [mm]			
KSM 1	-	M 12	M 8	M 12	46	15	round	250	70901
KSM 2	M 12	M 8	M 6	M 8	35	40	round	500	70902
KSM 3	M 8	-	-	m 6	42	8	round	500	70903
KSM 4	-	M 10	-	-	30	-	hex.	500	70904
KSM 6	-	M 6	-	-	20	-	hex.	500	70906
KSM 7	-	M 8	-	-	20	-	hex.	500	70907
KSM 9	-	M 12	-	-	30	-	hex.	250	70909
KSM 10	M 10	-	-	M 6	30	10	round	500	70910
KSM 11	-	M 10	-	M 6	20	10	round	500	70911
KSM 12	M 10	-	-	M 8	35	12	round	500	70912
KSM 13	M 8	-	-	M 10	-	-	hex.	25	70913
KSM 14	M 10	-	-	M 12	-	-	hex.	25	70917
KSM 15	M 12	-	-	M 10	-	-	hex.	25	70918
KSM 16	M 8	-	-	M 12	-	-	hex.	25	70916
KSM 17	M 12	-	-	M 16	-	-	-	1	70919
KSM 18	M 16	-	-	M 12	-	-	-	1	70920

Bushing

- Electrolytically zinc plated.

Type	Connection thread	L. [mm]	📦	Order Code
Threaded coupling M 8 x 25	M 8	25	100	61690
Threaded coupling M 8 x 35	M 8	35	100	61692
Threaded coupling M 6 x 25	M 6	25	100	61680
Threaded coupling M 6 x 30	M 6	30	100	61682
Threaded coupling M 10 x 25	M 10	25	100	61700
Threaded coupling M 10 x 35	M 10	35	100	61702





Connector

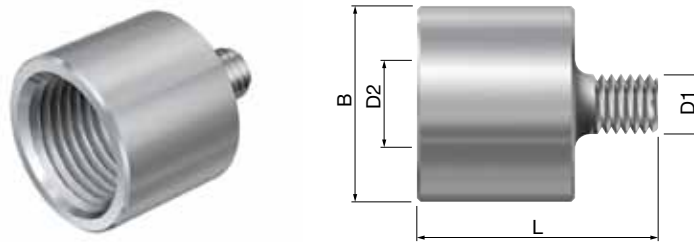
Type	Connection		Order Code
Sleeve 1/2"	1/2"	100	52810



AD Adapters

For a rigid construction with a BS universal clip.

- Electrolytically zinc plated.
- Can be used in conjunction with a GP 1/2" backplate.

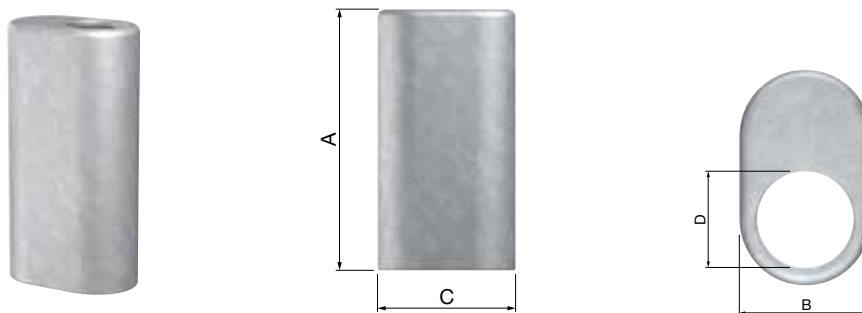


Type	Connection		Dimensions			Order Code
	D1	D2	Ø B [mm]	L [mm]		
AD 8 x 1/2"	M 8	1/2"	26	31	100	70914
AD 10 x 1/2"	M 10	1/2"	26	33	100	70915

PV Parallel Connectors

For the easy and fast connection of two threaded rods of the same diameter.

- Zamac.
- Vertical adjustment possible.
- Safety load (V) = 3.

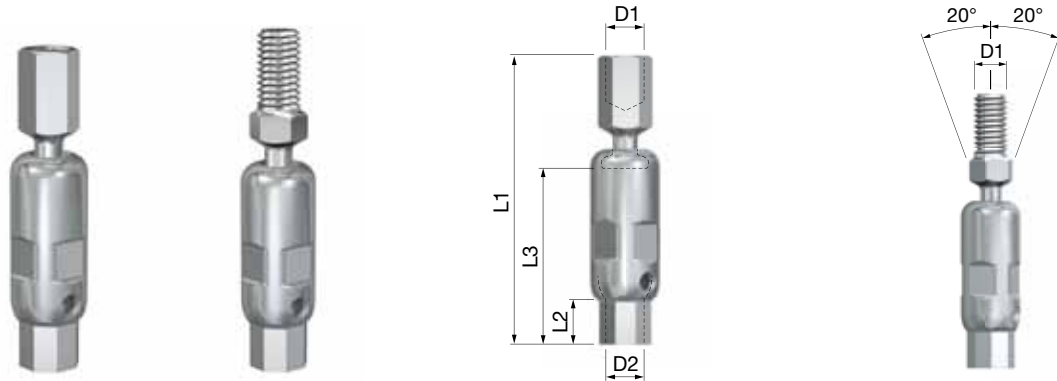


Type	Connection	Dimensions				Max. working load [N]		Order Code
		A [mm]	B [mm]	C [mm]	D [mm]			
PV 6	M 6	35	9	14	6	950	50	70950
PV 8	M 8	34	11	18.5	8	2800	50	70951
PV 10	M 10	35	14	23	10	2800	50	70952

K Ball Hangers

For a flexible and vertically adjustable suspension.

- Electrolytically zinc plated.
- Maximum swing of the ball element: 2 x 20°.
- Vertically adjustable by turning lowest part of the ball hanger after fitting the pipe.
- Inspection hole for checking length of rod inside the hanger.
- Safety load (V) = 3.

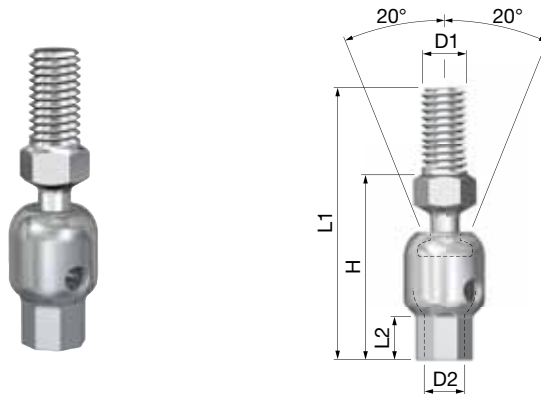


Type	Connection		Dimensions			Max. working load [N]		Order Code
	D1	D2	L1 [mm]	L2 [mm]	L3 [mm]			
K 6 x 6	M 6 bi.	M 6 bi.	58	8	30	1500	50	80103
K 8 x 8	M 8 bi.	M 8 bi.	58	8	30	2500	50	80104
K 12 x 12	M 12 bi.	M 12 bi.	90	8	30	5000	50	80105
KS 8 x 6	M 8 bu.	M 6 bi.	63	8	30	1500	50	80110
KS 8 x 8	M 8 bu.	M 8 bi.	63	8	30	2500	50	80111
KS 10 x 6	M 10 bu.	M 6 bi.	64	8	30	1500	50	80101
KS 10 x 8	M 10 bu.	M 8 bi.	64	8	30	2500	50	80102
KS 10 x 10	M 10 bu.	M 10 bi.	64	8	30	2500	50	80106

KK Short Ball Hangers

For a flexible suspension with close fitting.

- Electrolytically zinc plated.
- Maximum swing of the ball element: 2 x 20°.
- Inspection hole for checking length of rod inside the hanger.
- Safety load (V) = 3.



Type	Connection		Dimensions			Max. working load [N]		Order Code
	D1	D2	L1 [mm]	L2 min. [mm]	Build in height H [mm]			
KK 8 x 8	M 8 bu.	M 8 bi.	46	8	29	2500	50	80107
KK 10 x 10	M 10 bu.	M 10 bi.	47	8	30.5	2500	50	80108

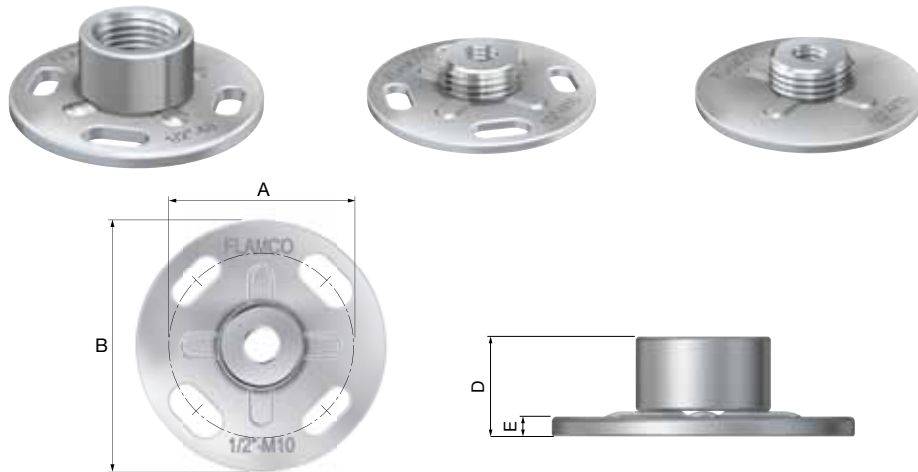


BACKPLATES

For a rigid wall or ceiling fastening of a clip by means of a threaded rod/pipe.

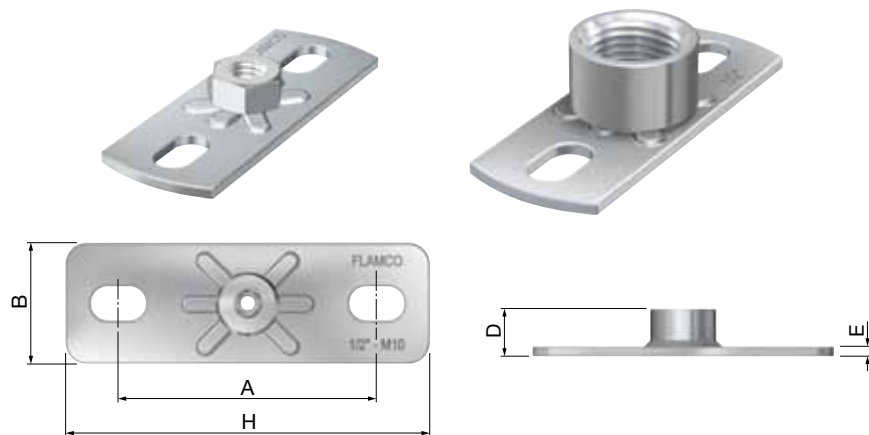
- Electrolytically zinc plated.
- Slotted holes for fixing.
- Can also be used in fixed point constructions, in combination with KB clips or BVP bracket, fixed point.

GP Backplates Ø 60



Type	Connection	Dimensions					Slotted hole [mm]		Order Code
		A [mm]	B [mm]	D [mm]	E [mm]				
GP 1/2 - 60	1/2"	44	Ø 60	18	3	16 x 16 / 15 x 8	50	39416	
GP round with slotted hole	1/2" / M 10	44	Ø 60	13	3	16 x 16 / 15 x 8	50	39422	
GP round without slotted hole	1/2" / M 10	-	Ø 60	13	3	-	50	39423	

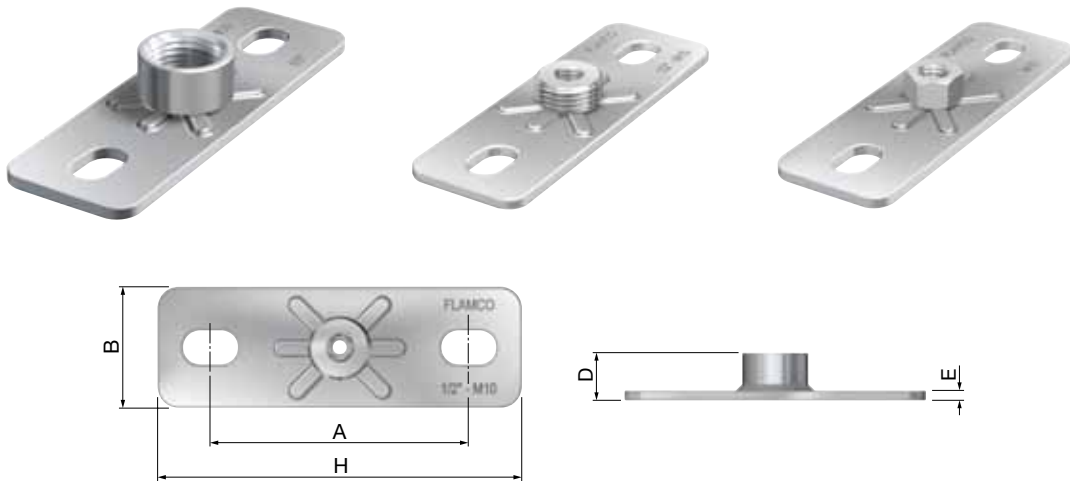
GP Backplates 80 x 30



Type	Connection	Dimensions					Slotted hole [mm]		Order Code
		A [mm]	B [mm]	H [mm]	D [mm]	E [mm]			
GP 8 - 80 x 30 *	M 8	54	30	80	11	3	9 x 16	50	39417
GP 8 / 10 - 80 x 30	M 8/10	54	30	80	18	3	9 x 16	50	39410
GP 10 - 80 x 30 *	M 10	54	30	80	13	3	9 x 16	50	39413
GP 12 - 80 x 30	M 12	54	30	80	15	3	9 x 16	50	39415
GP 3/8 - 80 x 30	R 3/8"	54	30	80	15	3	9 x 16	50	39440
GP 1/2 - 80 x 30	1/2"	54	30	80	18	3	9 x 16	50	39418
GP 10 - 1/2 - 80 x 30	1/2" / M 10	54	30	80	11	3	9 x 16	50	39409

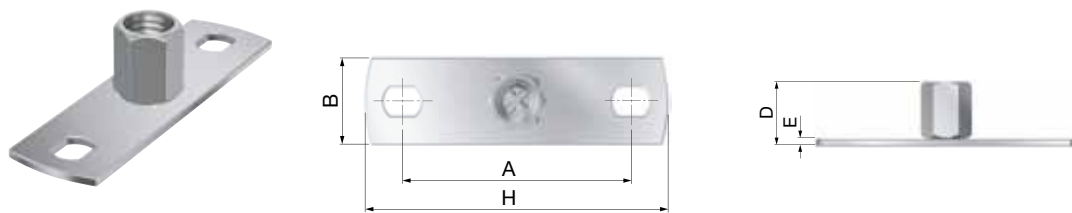
* Also available in stainless steel (S16).

GP Backplates 120 x 40



Type	Connection A	Dimensions					Slotted hole [mm]		Order Code
		A [mm]	B [mm]	H [mm]	D [mm]	E [mm]			
GP 8 - 120 x 40	M 8	85	40	120	12	4	11 x 18	50	39432
GP 10 - 120 x 40	M 10	85	40	120	14	4	11 x 18	50	39433
GP 10 - 1/2 - 120 x 40	1/2" / M 10	85	40	120	12	4	11 x 18	50	39442
GP 12 - 120 x 40	M 12	85	40	120	16	4	11 x 18	50	39434
GP 16 - 120 x 40	M 16	85	40	120	20	4	11 x 18	50	39435
GP 3/8 - 120 x 40	3/8"	85	40	120	16	4	11 x 18	50	39430
GP 1/2 - 120 x 40	1/2"	85	40	120	19	4	11 x 18	50	39419
GP 3/4 - 120 x 40	3/4"	85	40	120	19	4	11 x 18	50	39411
GP 1 - 120 x 40	1"	85	40	120	25	4	11 x 18	50	39412

GP Backplates 70 x 20

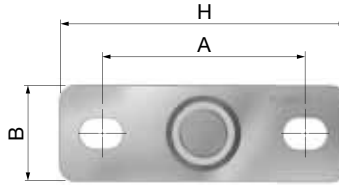


Type	Connection	Dimensions					Slotted hole [mm]		Order Code
		A [mm]	B [mm]	H [mm]	D [mm]	E [mm]			
GP 8 / 10 - 70 x 20	M 8 / 10	53	20	70	19	2	6.5 x 8.5	100	39404



Backplates GPS

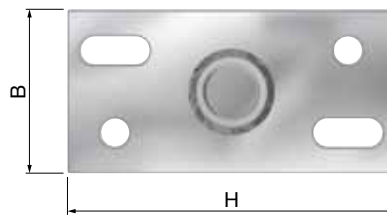
- Welded all around.



Type	Connection	Dimensions					Slotted hole [mm]		Order Code
		A [mm]	B [mm]	H [mm]	D [mm]	E [mm]			
GPS - 3/8"	R 3/8"	85	40	120	16	4	13 x 8	50	39436
GPS - 1/2"	R 1/2"	85	40	120	19	4	13 x 8	50	39437
GPS - 3/4"	R 3/4"	85	40	120	21	4	13 x 8	50	39438
GPS - 1"	R 1"	85	40	120	25	4	13 x 8	50	39439

Backplates RTG 4

- Welded all around.

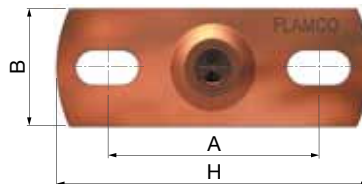
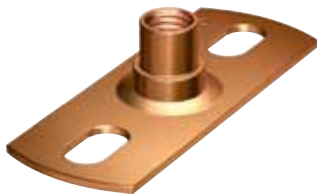


Type	Connection	Dimensions					Order Code
		B [mm]	H [mm]	D [mm]	E [mm]		
RTG 4 - 1/2"	R 1/2"	60	120	20	5	10	53542
RTG 4 - 3/4"	R 3/4"	60	120	20	5	10	53543
RTG 4 - 1"	R 1"	60	120	20	5	10	53544

GPK Backplates 80 x 30

Copper.

With insert M 10 connection.



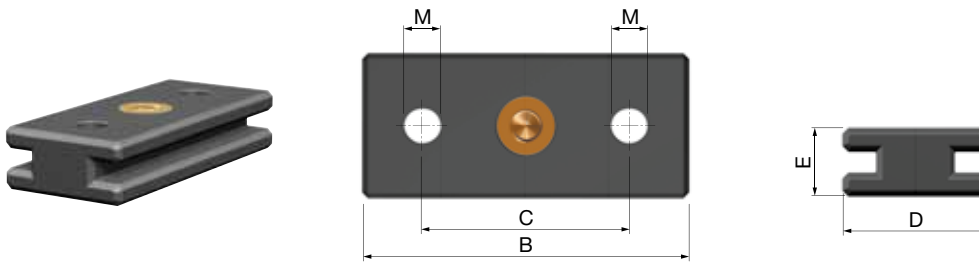
Type	Connection	Dimensions					Slotted hole [mm]		Order Code
		A [mm]	B [mm]	H [mm]	D [mm]	E [mm]			
GP insert 10 - 80 x 30	M 10	54	30	80	19	3	9 x 16	50	39444

EXPANSION UNITS

The expansion units are specially designed to allow for thermal expansion along the length of the pipe. This makes for a superb and solid joint which if necessary can move with the pipe.

GK 50 Expansion Units

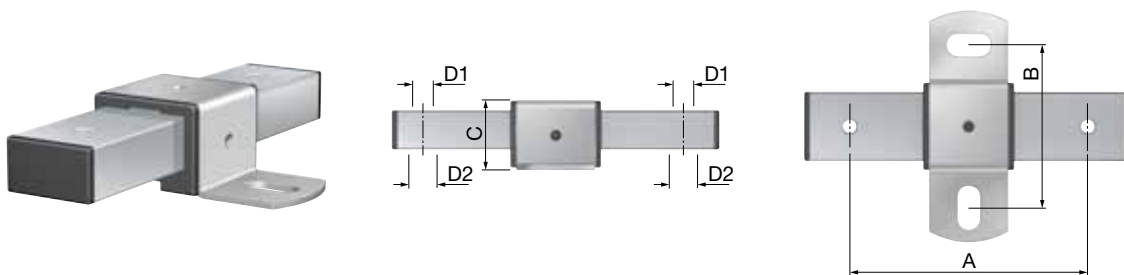
- Sliding block: nylon PA 6.
- Threaded connection: brass.
- Applicable in Flamco rails R 1, R 2, R 3, R 4 and R 6.
- Maximum axial movement depends on rail length.



Type	Connection M	Dimensions				Max. working load [N]		Order Code
		B [mm]	C [mm]	D [mm]	E [mm]			
GK 50 - M 6	M 6	55	24	11	3.4	500	50	71720
GK 50 - M 8	M 8	55	24	11	3.4	500	50	71722

GK 150 Expansion Units

- Backplate S235JRG2 EN 10250/2: electrolytically zinc plated.
- Carriage holder: nylon PA 6.
- Tube S235JRG2 EN 10250/2: electrolytically zinc plated.
- Plate stop: plastic.
- Standard axial movement 60 mm.
- Enlarged axial movement when Flamco rail R 2 is used instead of pipe.
- Slotted holes for accurate adjustment of the expansion unit.
- Applicable for different threaded connections.

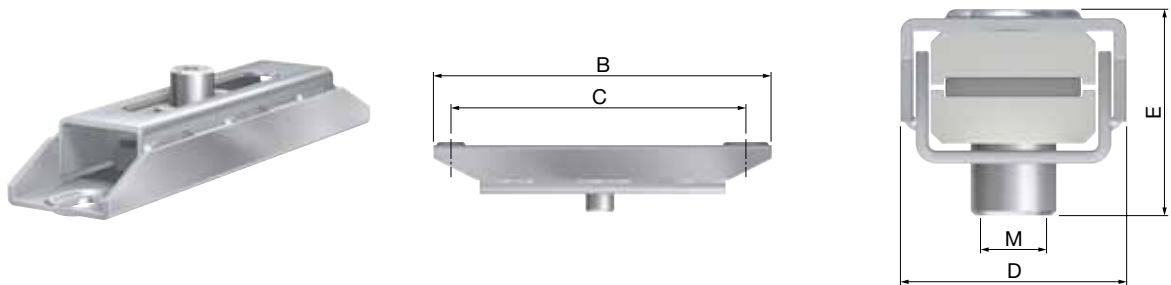


Type	Connection		Dimensions					Max. working load [N]		Order Code
	D1	D2	A [mm]	B [mm]	C [mm]	Ground plate [mm]	Slotted hole [mm]			
GK 150 - M 8/10	M 8	M 10	120	82	35	117 x 140	11 x 22	1500	10	71724
GK 150 - M 10/12	M 10	M 12	120	82	35	117 x 140	11 x 22	1500	10	71726



GK 500 Expansion Units

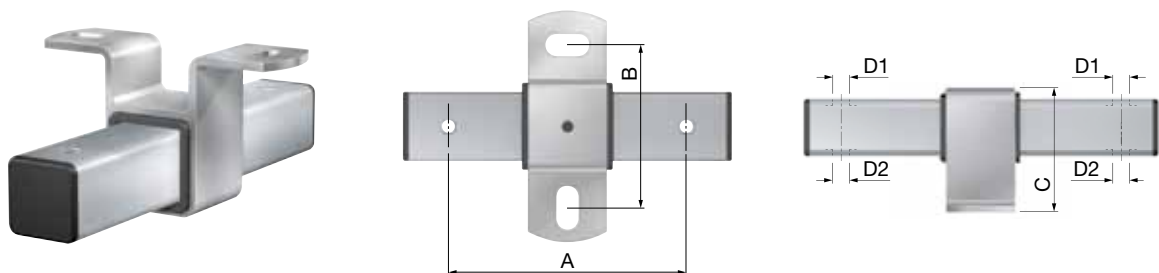
- Carriage holder S235JRG2 EN 10250/2: electrolytically zinc plated.
- Sliding block: nylon PA 6.
- Pressure plate S235JRG2 EN 10250/2: electrolytically zinc plated.
- Maximum axial movement 90 mm.
- Pressure plate completely enclosed in sliding block.
- Slotted holes for accurate adjustment of the expansion unit.



Type	Connection M	Dimensions					Slotted hole [mm]	Max. working- load [N]		Order Code
		B [mm]	C [mm]	D [mm]	E [mm]					
GK 500 - M 6	M 6	220	195	50	45	11 x 22	2500	10	71710	
GK 500 - M 8	M 8	220	195	50	45	11 x 22	4500	10	71712	
GK 500 - M 10	M 10	220	195	50	45	11 x 22	5000	10	71714	
GK 500 - M 12	M 12	220	195	50	45	11 x 22	5000	10	71716	

GK 750 Expansion Unit

- Bracket S235JRG2 EN 10250/2: electrolytically zinc plated.
- Carriage holder: nylon PA 6.
- Tube S235JRG2 EN 10250/2: electrolytically zinc plated.
- Plate stop: plastic.
- Axial movement well over 120 mm.
- Slotted holes for accurate adjustment of the expansion unit.
- Applicable for heavy loads and different threaded connections.



Type	Dimensions							Max. working load [N]		Order Code
	A [mm]	B [mm]	C [mm]	D [mm]	Groundplate [mm]	Slotted hole [mm]	Pipe [mm]			
GK 750	200	112	89	13	150 x 15	13 x 26	245 x 40 x 40	7500	10	71728

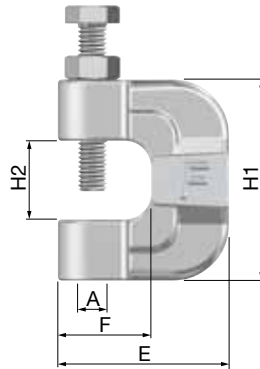
PROFILE FIXINGS

For fixing a single suspension under a steel profile, obviating the need for drilling or welding. They are available in different threaded connections and some versions may be adjusted vertically after fixing.

KC Profile Clamps

For securing a single mounting next to or under a steel profile without welding or drilling.

- Forged steel C 22/C 35 - DIN 17200.
- Bolt: steel DIN 564-8.8.
- Uncoated or zinc plated.



Type	Con- nection A	Max flange thickness [mm]	Bolt	Max. working load [N]	Dimensions				Treatment	Approval		Order Code
					H1 [mm]	H2 [mm]	E [mm]	F [mm]				
KC 6	M 6	18	M 8 x 45	2100	54	21	46	25	Zinc plated	-	25	71521
KC 8	M 8	18	M 8 x 45	3800	54	21	46	25	Zinc plated	VdS *	25	71522
KC 10	M 10	18	M 10 x 45	5000	54	21	46	25	Zinc plated	FM/ VdS *	25	71523
KC 12	M 12	18	M 10 x 45	5000	54	21	46	25	Zinc plated	FM/ VdS *	25	71524
KC 6	M 6	18	M 8 x 45	2100	54	21	46	25	Untreated	-	25	71501
KC 8	M 8	18	M 8 x 45	3800	54	21	46	25	Untreated	-	25	71502
KC 10	M 10	18	M 10 x 45	5000	54	21	46	25	Untreated	-	25	71503
KC 12	M 12	18	M 10 x 45	5000	54	21	46	25	Untreated	-	25	71504

* VdS approval only in combination with AS anchor strip.

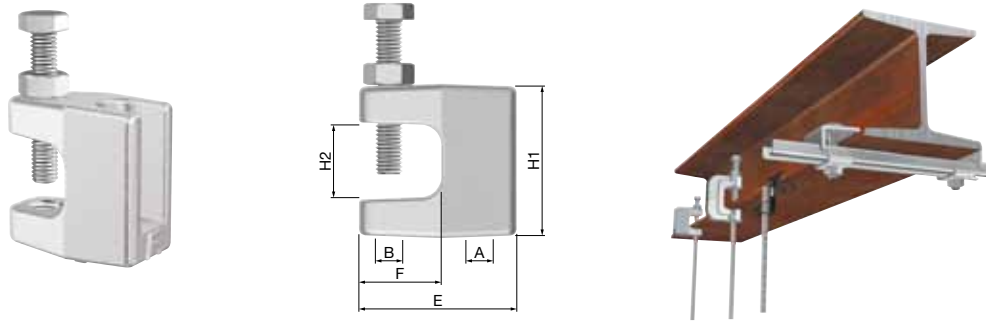




KCK Profile Clamps

For securing a single mounting next to or under a steel profile without welding or drilling.

- Malleable cast iron, KCK GTS 45 - DIN 1692.
- Steel bolt: steel DIN 564-8.8.
- Uncoated or zinc plated.
- Vertically adjustable.
- The bottom provided with two different threaded connections.



Type	Connection A-B	Max flange thickness [mm]	Bolt	Max. working load [N]	Dimensions				Treatment	Approval		Order Code
					H1 [mm]	H2 [mm]	E [mm]	F [mm]				
KCK 6	M 6 - M 8	18	M 6 x 35	2100	45	21	46	24	Untreated	-	25	71516
KCK 8	M 8 - M 10	18	M 8 x 45	3800	45	21	46	24	Untreated	-	25	71517
KCK 10	M 10 - M 8	18	M 10 x 45	4500	45	21	46	24	Untreated	-	25	71518
KCK 12	M 12 - M 12	18	M 10 x 45	5000	45	21	46	24	Untreated	-	25	71519
KCK 6	M 6 - M 8	18	M 6 x 35	2100	45	21	46	24	Zinc plated	-	25	71535
KCK 8	M 8 - M 10	18	M 8 x 45	3800	45	21	46	24	Zinc plated	VdS *	25	71536
KCK 10	M 10 - M 8	18	M 10 x 45	4500	45	21	46	24	Zinc plated	FM/VdS *	25	71537
KCK 12	M 12 - M 12	18	M 10 x 45	5000	45	21	46	24	Zinc plated	FM/VdS *	25	71538

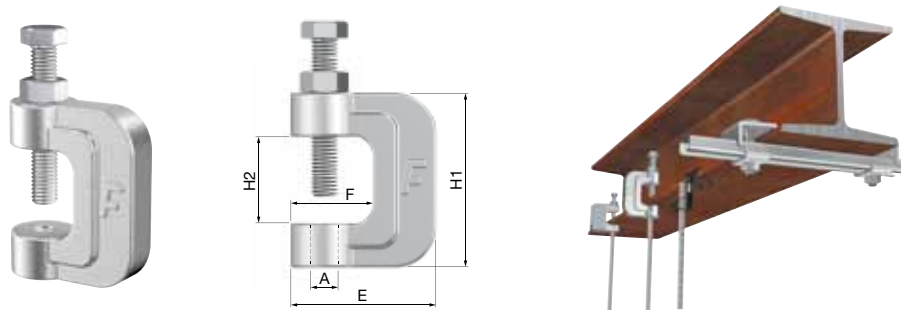
* VdS approval only in combination with AS anchor strip.



KCH Profile Clamps

For securing a single mounting next to or under a steel profile without welding or drilling.

- Forged steel C 22/C 35 - DIN 17200.
- Bolt: steel DIN 564-8.8.
- Uncoated.
- VdS approved. (VdS approval only in combination with AS anchor strip.)



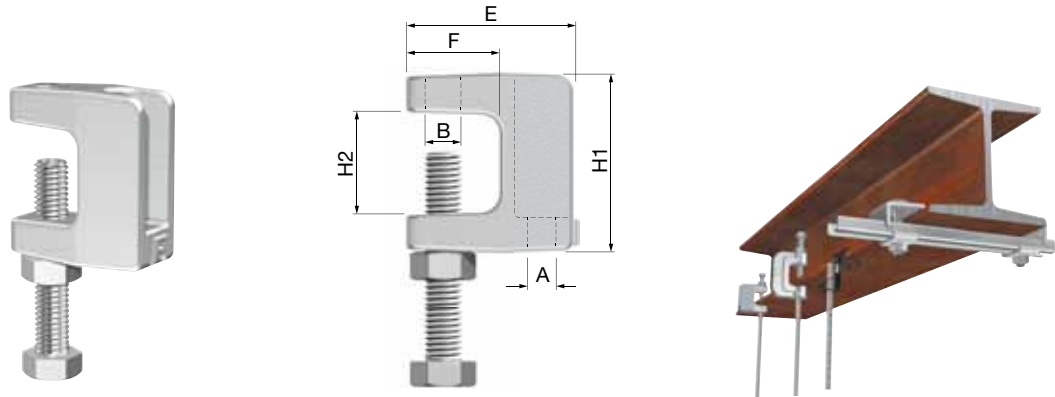
Type	Connection A	Max. flange thickness [mm]	Bolt	Max. working load [N]	Dimensions				Treatment		Order Code
					H1 [mm]	H2 [mm]	E [mm]	F [mm]			
KCH 8	M 8	30	M 10 x 60	3800	65	32	54	30	Zinc plated	25	71541
KCH 10	M 10	30	M 10 x 60	6000	65	32	54	30	Zinc plated	25	71542
KCH 12	M 12	30	M 12 x 60	6000	65	32	54	30	Zinc plated	25	71543
KCH 16	M 16	30	M 12 x 60	6000	65	32	54	30	Zinc plated	25	71544



KCL Profile Clamps

For securing a single mounting next to or under a steel profile without welding or drilling.

- Malleable cast iron, KCL GTS 35 - DIN 1692.
- Steel bolt: steel DIN 564-8.8.
- Zinc plated.
- Vertically adjustable.
- The bottom is provided with two different threaded connections.

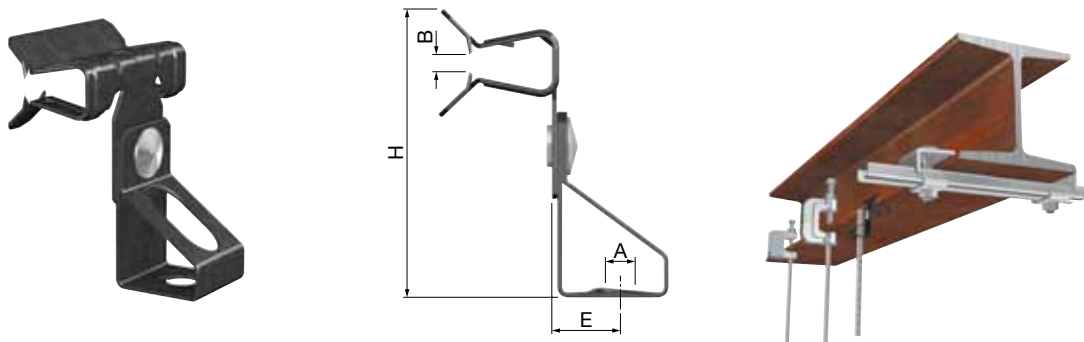


Type	Connection		Max flange thickness [mm]	Bolt	Max. working load [N]	Dimensions				Treatment	📦	Order Code
	A [mm]	B [mm]				H1 [mm]	H2 [mm]	E [mm]	F [mm]			
KCL 6	M 6	M 6	18	M 6 x 35	2100	39	21	36	20	Zinc plated	25	71570
KCL 8	M 8	M 8	18	M 8 x 45	2500	39	21	36	20	Zinc plated	25	71571

KVS-D Profile Clips

For mounting a suspension to a steel profile without drilling or welding.

- Black spring steel.
- Hinged fixture.
- Vertically adjustable.
- Fast assembly with a hammer.

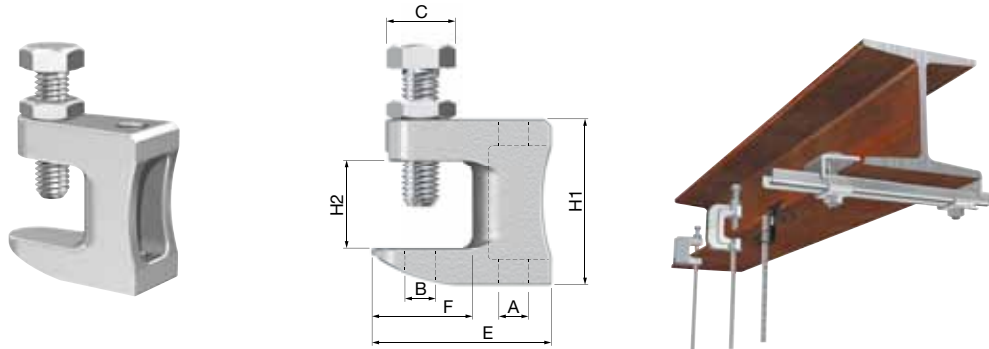


Type	Connection A	Flange thickness B [mm]	Dimensions		Max. working load [N]	Treatment	📦	Order Code
			H [mm]	E [mm]				
KVS-D 6 x 1.6 - 4.8	M 6	1.6 x 4.8	50	10	700	Untreated	250	71554
KVS-D 6 x 4.8 - 9.5	M 6	4.8 x 9.5	50	10	700	Untreated	250	71556
KVS-D 6 x 11.0 - 15.8	M 6	11.0 x 15.8	50	10	700	Untreated	250	71558
KVS-D 6 x 15.0 - 20.0	M 6	15.0 x 20.0	50	10	700	Untreated	250	71560
KVS-D 8 x 1.6 - 4.8	M 8	1.6 x 4.8	50	10	700	Untreated	250	71555
KVS-D 8 x 4.8 - 9.5	M 8	4.8 x 9.5	50	10	700	Untreated	250	71557
KVS-D 8 x 11.0 - 15.8	M 8	11.0 x 15.8	50	10	700	Untreated	250	71559
KVS-D 8 x 15.0 - 20.0	M 8	15.0 x 20.0	50	10	700	Untreated	250	71561



BC Profile Clips

For securing a single mounting next to or under a steel profile without welding or drilling.



Type	Connection		Bolt	Max. working load [N]	Dimensions				Treatment	Approval		Order Code
	A [mm]	B [mm]			H1 [mm]	H2 [mm]	E [mm]	F [mm]				
BC 8	M 8	M 8	M 8 x 30	1200	37	18	38	21	Zinc plated	VdS	50	71506
BC 10	M 10	M 10	M 10 x 40	2500	42	19	44	23	Zinc plated	VdS/ FM	50	71507
BC 12	M 12	M 12	M 10 x 40	3500	54	25	58	35	Zinc plated	VdS/ FM	50	71508
BC 9	Ø 9	Ø 9	M 8 x 30	1200	37	18	38	21	Zinc plated	VdS	50	71510
BC 11	Ø 11	Ø 11	M 10 x 40	2500	42	19	44	23	Zinc plated	VdS/ FM	50	71511
BC 13	Ø 13	Ø 13	M 10 x 40	3500	54	25	58	35	Zinc plated	VdS/ FM	50	71512

* VdS approval only in combination with AS anchor strip.



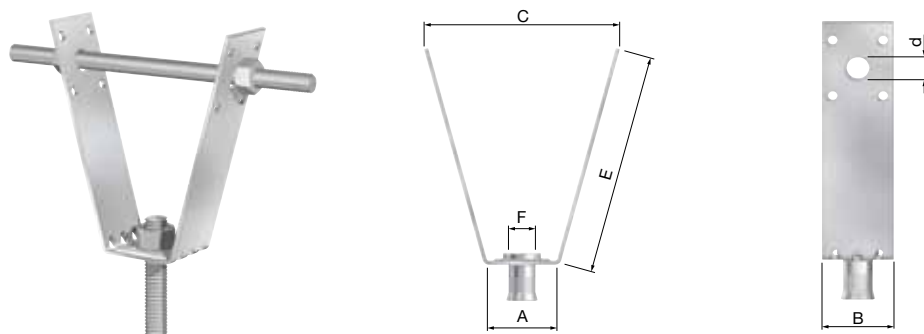
TRAPEZIUM FIXINGS

For mounting threaded rod to steel roof profiles.

- Electrolytically zinc plated.
- LT : threadless opening.
- LTM: with welded nut.
- LTV: vertical re-adjustment by turning the lowest part of the threaded bush, after mounting the threaded rod.

Trapezium Fixings


Threaded rod not included.



Type	Dimensions					Connection (F)		Order Code
	A [mm]	B [mm]	C [mm]	d [mm]	E [mm]			
LT	32	30 x 2	90	10.5	100	Ø 12	10	71900
LTM 8	32	30 x 2	90	10.5	100	M 8	10	71910
LTM 10*	32	30 x 2	90	10.5	100	M 10	10	71912
LTM 12	32	30 x 2	90	10.5	100	M 12	10	71914
LTV 8	32	30 x 2	90	10.5	100	M 8	10	71920
LTV 10	32	30 x 2	90	10.5	100	M 10	10	71922

* LTM 10 FM approved in combination with clips ranging from ¾" to 3".



Trapezium Pliers		
Type		Order Code
PT	1	27929
Spare cutting nipples	1	27939



AIR DUCT BRACKETS

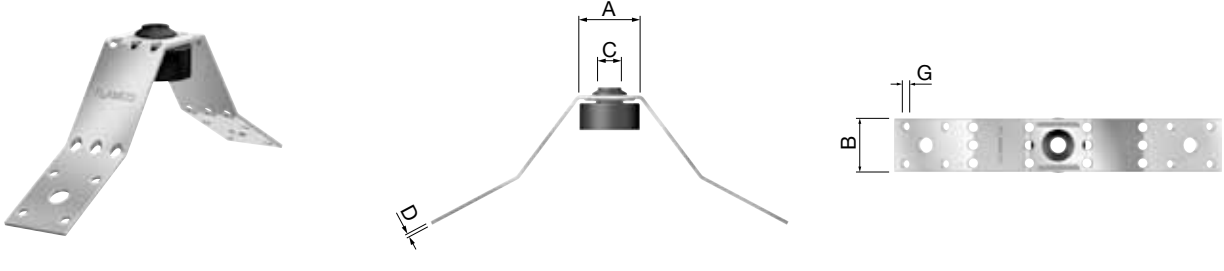

For mounting air ducts.

- Electrolytically zinc plated.
- Rubber shock absorber at the attachment point of the threaded rod for noise-suppression.

LR Air Duct Bracket

For mounting round air ducts.

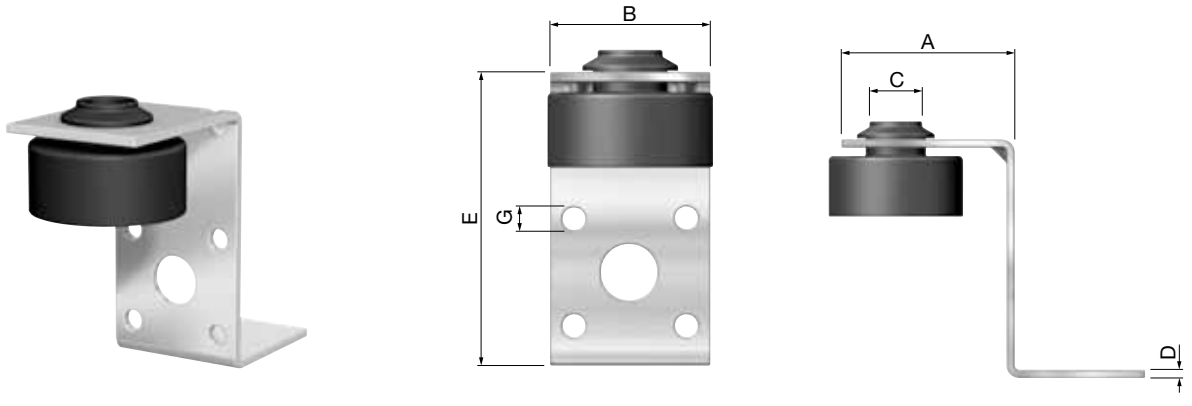

- Noise reduction: 18 dB(A) according to ISO 3822-1.

							
Type	Dimensions [mm]						Order Code
LR	A	B	G	D	C	50	71930
	67	30	4.2	3	8.5		

LZ Air Duct Bracket

For mounting rectangular air ducts.

- Noise reduction: 19 dB(A) according to ISO 3822-1.

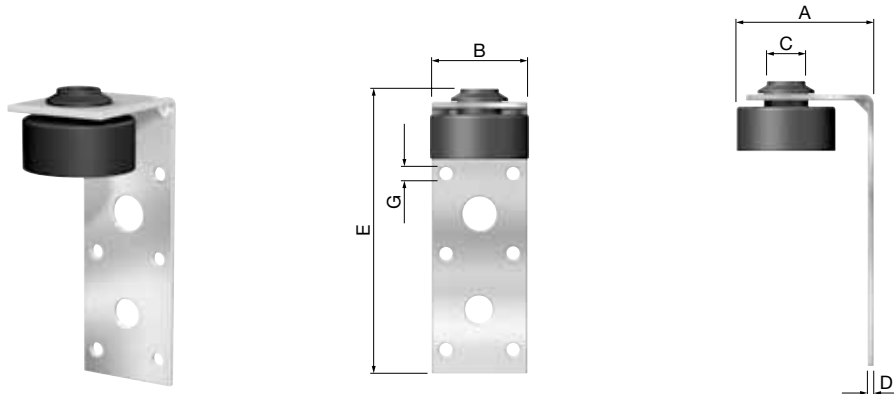
								
Type	Dimensions							Order Code
LZ 40	A [mm]	B [mm]	G [mm]	D [mm]	E [mm]	C [mm]	50	71937
	40	30	4.2	2	55	8.5		



LL Air Duct Bracket

For mounting rectangular air ducts.

- Noise reduction: 18 dB(A) according to ISO 3822-1.



Type	Dimensions							Order Code
	A [mm]	B [mm]	G [mm]	D [mm]	E [mm]	C [mm]		
LL 55	40	30	4.2	2	55	8.5	50	71941
LL 85	40	30	4.2	2	85	8.5	50	71942
LL 130	40	30	4.2	2	130	8.5	50	71943

BACKPLATE ASSEMBLIES

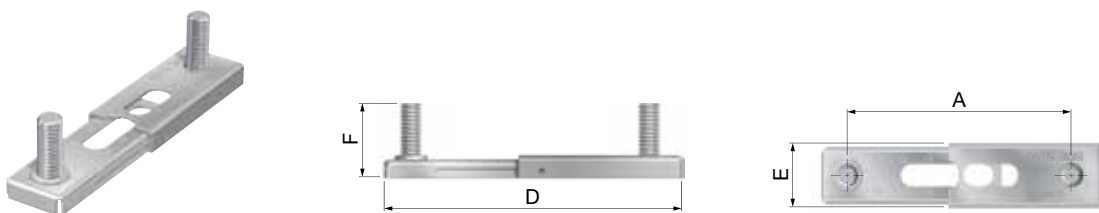
For use in combination with Flamco BS universal clips.

- Electrolytically zinc plated.

BME Backplate Assembly

For double wall clip mounting.

- Rigid pipe installation as a result of fixed centres.
- Relative centres adjustable.

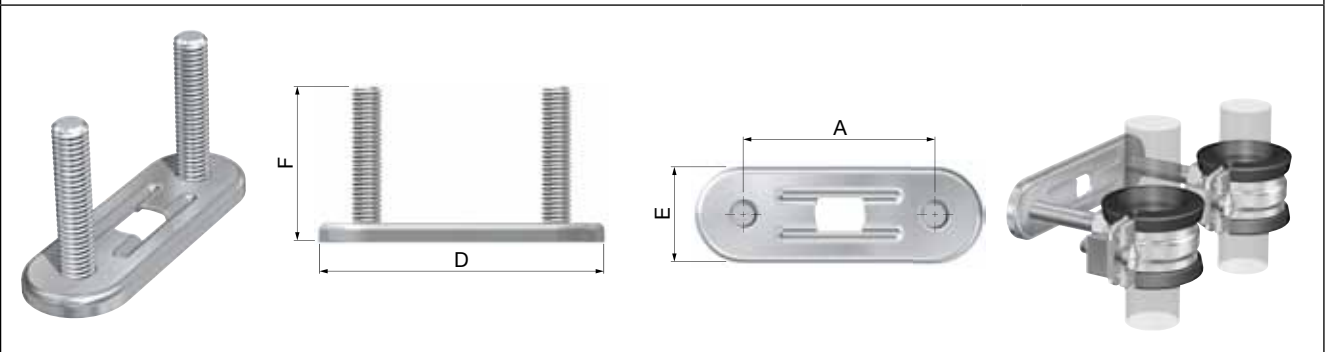


Type	Connection	Dimensions						Order Code
		Ø hole [mm]	A [mm]	D [mm]	E [mm]	F [mm]		
BME 8 x 50/90	M 8	Ø 8	50 - 90	72 - 112	25	29	100	39420

BMD Backplate Assemblies

For double wall clip mounting.

- Rigid pipe installation as a result of fixed centres.

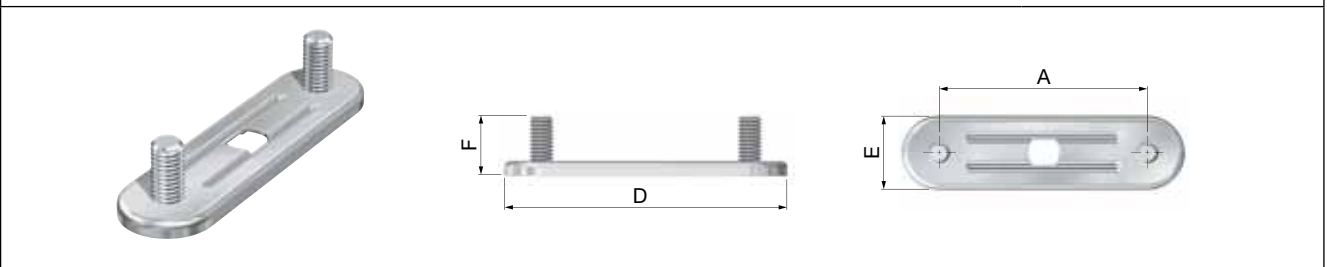


Type	Connection	Dimensions					Order Code	
		Ø hole [mm]	A [mm]	D [mm]	E [mm]	F [mm]		
BMD 8 x 50	M 8	8	50	76	25	40	100	39424
BMD 8 x 70	M 8	8	70	96	25	40	100	39426
BMD 8 x 90	M 8	8	90	116	25	40	100	39428

BMV Backplate Assembly

For double wall clip mounting.

- Rigid pipe installation as a result of fixed centres.

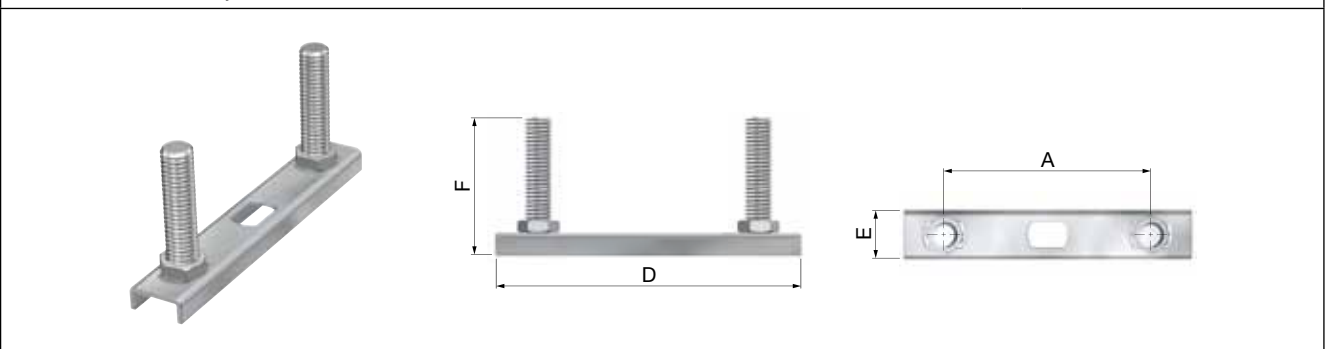


Type	Connection	Dimensions					Order Code	
		Ø hole [mm]	A [mm]	D [mm]	E [mm]	F [mm]		
BMV 8 x 70	M 8	Ø 8	70	96	25	25	50	39429

BMU Backplate Assembly

For double wall clip mounting.

- Rigid pipe installation as a result of fixed centres.
- Relative centres adjustable.



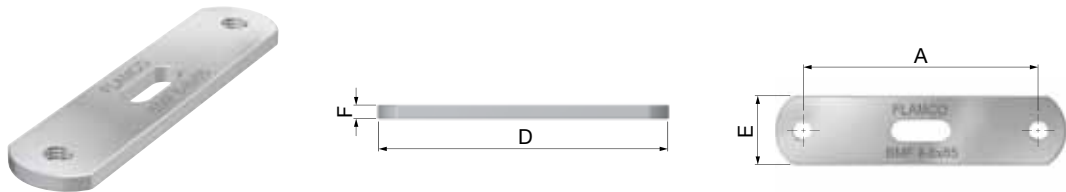
Type	Connection	Dimensions					Order Code	
		Ø hole [mm]	A [mm]	D [mm]	E [mm]	F [mm]		
BMU 8 x 60/72	M 11	Ø 11	60 - 72	90	16	40	50	39537



BMF Backplate Assemblies

For use with two wall clips.

- Slotted hole for fixing.
- Threaded connections M 8 for DS threaded nipples.
- In combination with DS threaded nipples, suitable for BS universal clips.
- Realisation of two different centres to the wall per backplate assembly possible.

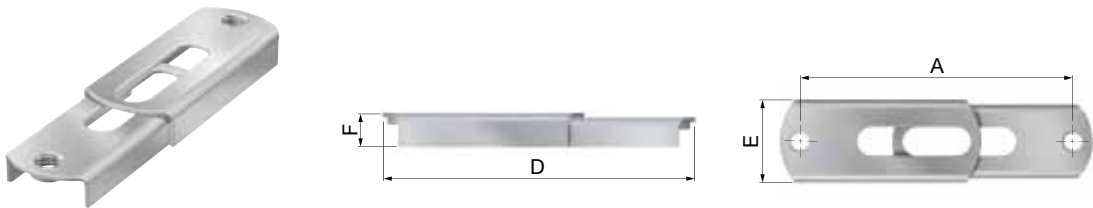


Type	Connection	Slotted hole [mm]	Dimensions					Order Code
			A [mm]	D [mm]	E [mm]	F [mm]		
BMF 8 - 8 x 40	M 8	8.2 x 22	40	60	25	5	50	37950
BMF 8 - 8 x 55	M 8	8.2 x 22	55	75	25	5	50	37951
BMF 8 - 8 x 65	M 8	8.2 x 22	65	85	25	5	50	37952
BMF 8 - 8 x 85	M 8	8.2 x 22	85	105	25	5	50	37953
BMF 8 - 8 x 105	M 8	8.2 x 22	105	125	25	5	50	37954
BMF 8 - 8 x 150	M 8	8.2 x 22	150	170	25	5	50	37955
BMF 8 - 8 x 200	M 8	8.2 x 22	200	220	25	5	50	37956

BMG Backplate Assembly

For use with two wall clips.

- Slotted hole for fixing.
- Threaded connections M 8 for DS threaded nipples.
- In combination with DS threaded nipples, suitable for BS universal clips.
- Realisation of two different centres to the wall per backplate assembly possible.



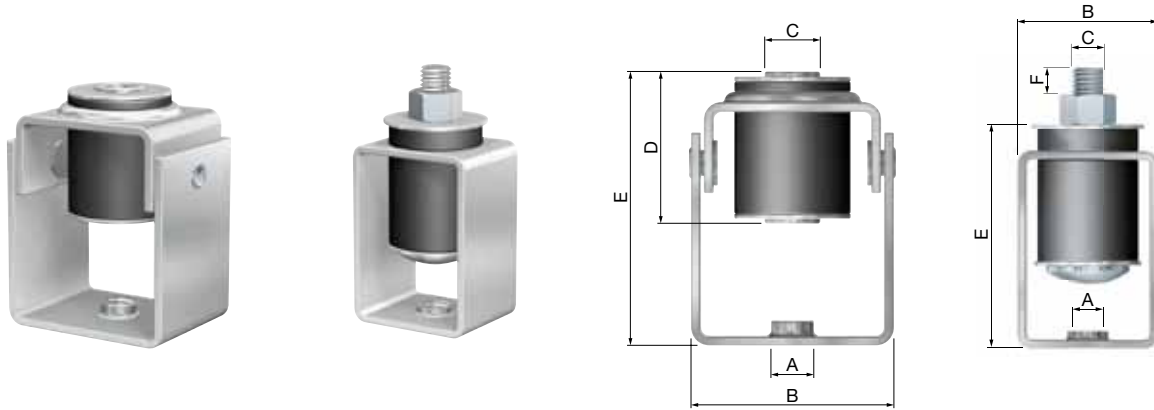
Type	Connection	Slotted hole [mm]	Dimensions					Order Code
			A [mm]	D [mm]	E [mm]	F [mm]		
BMG 8 - 8 x 50 - 95	M 8	10 x 10 - 40	50 - 95	72 - 110	29	11.5	50	39421


NOISE-SUPPRESSION FIXTURES

For a noise reducing suspension.

DA Noise-suppression Fixtures

- Housing: electrolytically zinc plated.
- Noise suppression: 20 dB(A), see TNO-TH 807/410/1 report.
- Suitable for temperatures of -50 °C up to +110 °C.
- Hardness of rubber: 65 - 70 ° Shore A.



Type	Dimensions						Max. working load [N] *		Order Code
	A [mm]	B [mm]	C [mm]	D [mm]	E [mm]	F [mm]			
DA 6	M 6	Ø 40 x 30	Ø 8.5	32	55	-	500	50	80800
DA 8	M 8	Ø 40 x 30	Ø 8.5	32	55	-	500	50	80801
DA 12	M 12	Ø 50 x 40	M 12	-	99	21	2000	50	80802

* At 20 dB(A) noise reduction.