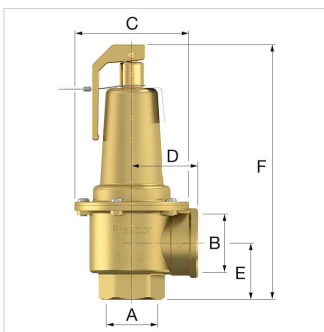


**Product Data Sheet (2018-09-04)**
**29210 - Prescor S valve 700 1 1/4-8bar**


Description		Prescor S valve 700 1 1/4-8bar
Article		29210
Model		Prescor S
Set pressure [bar]		8.0
Connection	A	1 1/4" F
	B	1 1/2" F
Dimensions	C [mm]	95
	D [mm]	55
	E [mm]	47
	F [mm]	213
Heating capacity [kW]		1839


**Packaging info**

Unity of use	1 Piece
Packaging form	Box
Packaging dimensions (H. x W. x L.)	250 x 125 x 150 mm
Weight	2.279 Kilogram



### Classification General Data

<b>Etim Group</b>	Measuring and control devices
<b>Etim Class</b>	Safety valve
<b>Product Name</b>	Prescor S valve 700 1 1/4-8bar
<b>Brand</b>	Flamco
<b>Product Series</b>	Prescor S
<b>Product Type</b>	700

### Attributes

<b>Housing material</b>	Brass
<b>Material quality</b>	Dezincification resistant brass (DZR)
<b>Connection 1</b>	Inner thread gas cylindrical (BSPP) 1 1/4 inch (32)
<b>Connection 2</b>	Inner thread gas cylindrical (BSPP) 1 1/2 inch (40)
	PN 16
	PN 16
	120
	-10
<b>Bellows seal</b>	Yes
<b>Sealing</b>	Rubber/plastic
<b>Overflow pressure [bar]</b>	8 - 8
<b>Suitable for continuous operation</b>	Yes
<b>Length of connection 1 [mm]</b>	47
<b>Length of connection 2 [mm]</b>	55
<b>Height [mm]</b>	166
<b>Angle of the device [°]</b>	90
<b>Spindle angle [°]</b>	180