

MEPcontent

KE KELIT Kelox PROTEC

Modeling with KE KELIT Kelox PROTEC	2
Installation	2
Draw	3
Routing Preferences	4
1. Transition bends	5
2. Tags	5
Schedules	6
Table of components	7
• Bend	7
• Connection	34
• Coupling	44
• Reducer	48
• Tee	51
• Connection block	58

Modeling with KE KELIT Kelox PROTEC

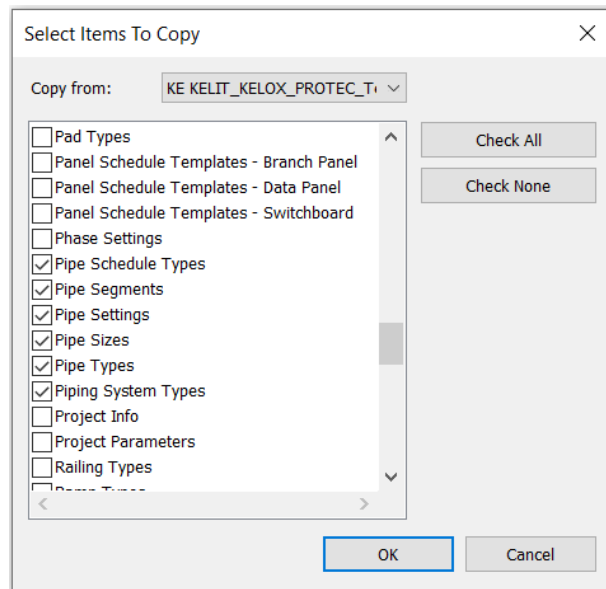
This manual describes how you can model with the product line of KE KELIT KELOX PROTEC in Revit 2021, 2022, 2023 or 2024. While drawing, the correct fittings (bends and connectors) are automatically inserted. In the template you can also find special fittings and equipment that you can place separately.

Installation

To draw with the product line of KE KELIT KELOX PROTEC, open the file *KE KELIT_KELOX_PROTEC_Template_INT-EN.rvt*. This Revit template contains the product line and a number of predefined schedules.

If you want to draw in an existing project, you can copy the product line using *Transfer Project Standards* in Revit. That is done in the following way:

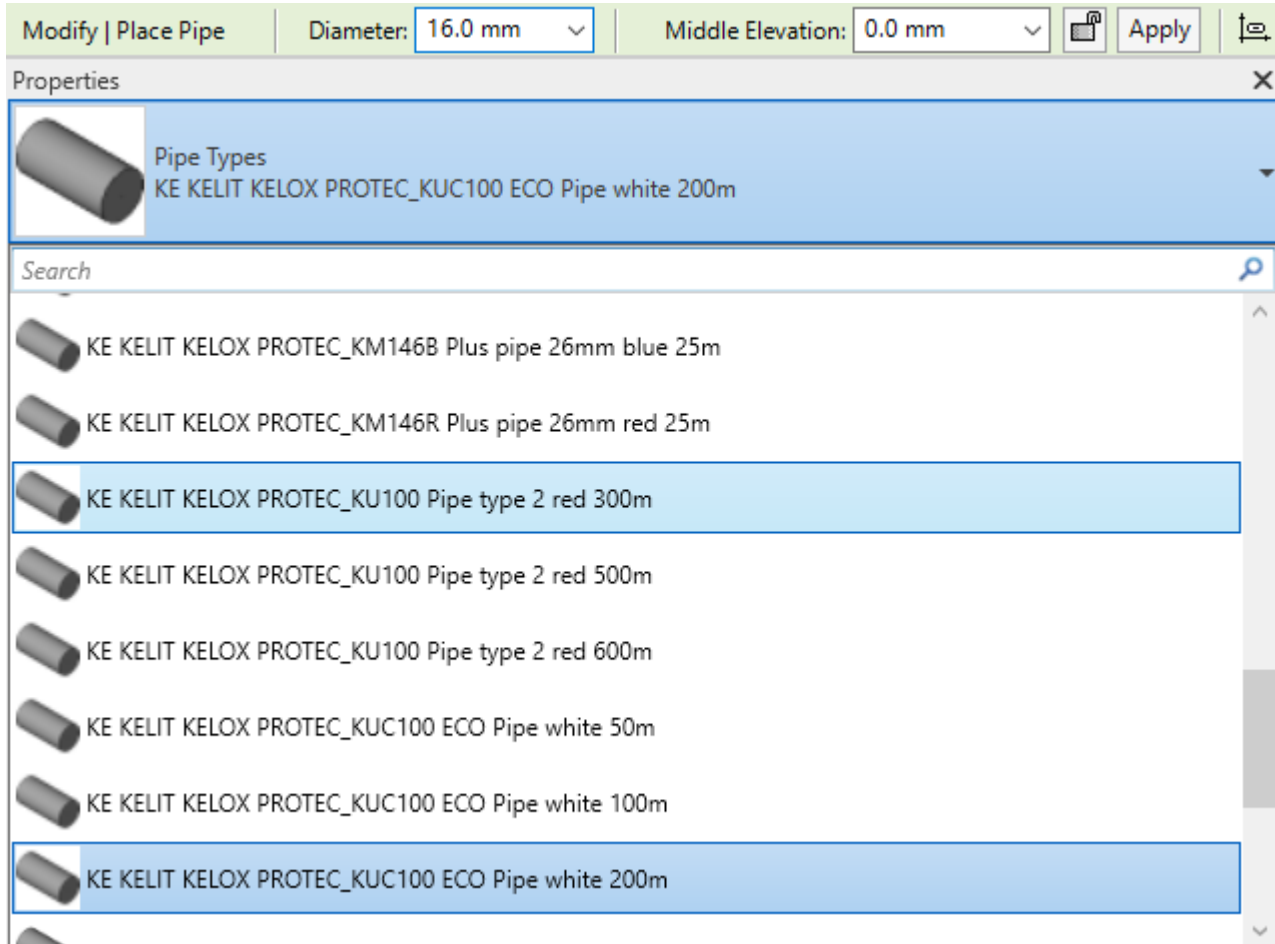
1. Open the existing project and the KE KELIT KELOX PROTEC template.
2. Activate the existing project.
3. On the tab *Manage*, panel *Settings*, select *Transfer Project Standards*.
4. At *Copy from*: select the template file, check the items as in the image below and click OK.



5. The product line is transferred from the template to the existing project.

Draw

When the product line is in the project, you can draw a pipe system the way you are used to via *Systems > Pipe*. In *Properties*, select the product line and dimensions

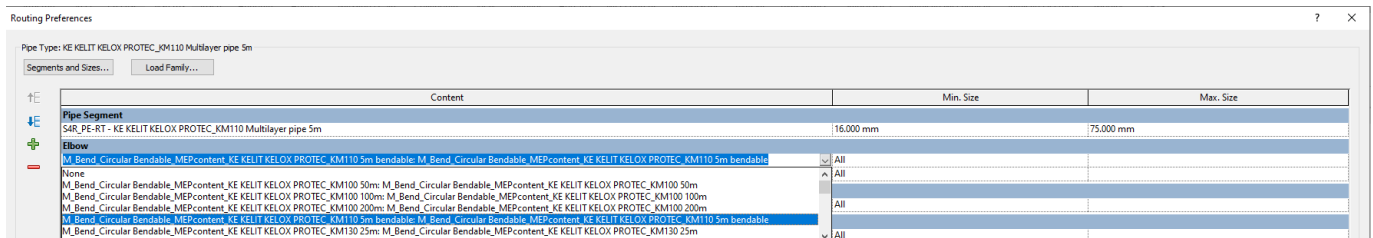
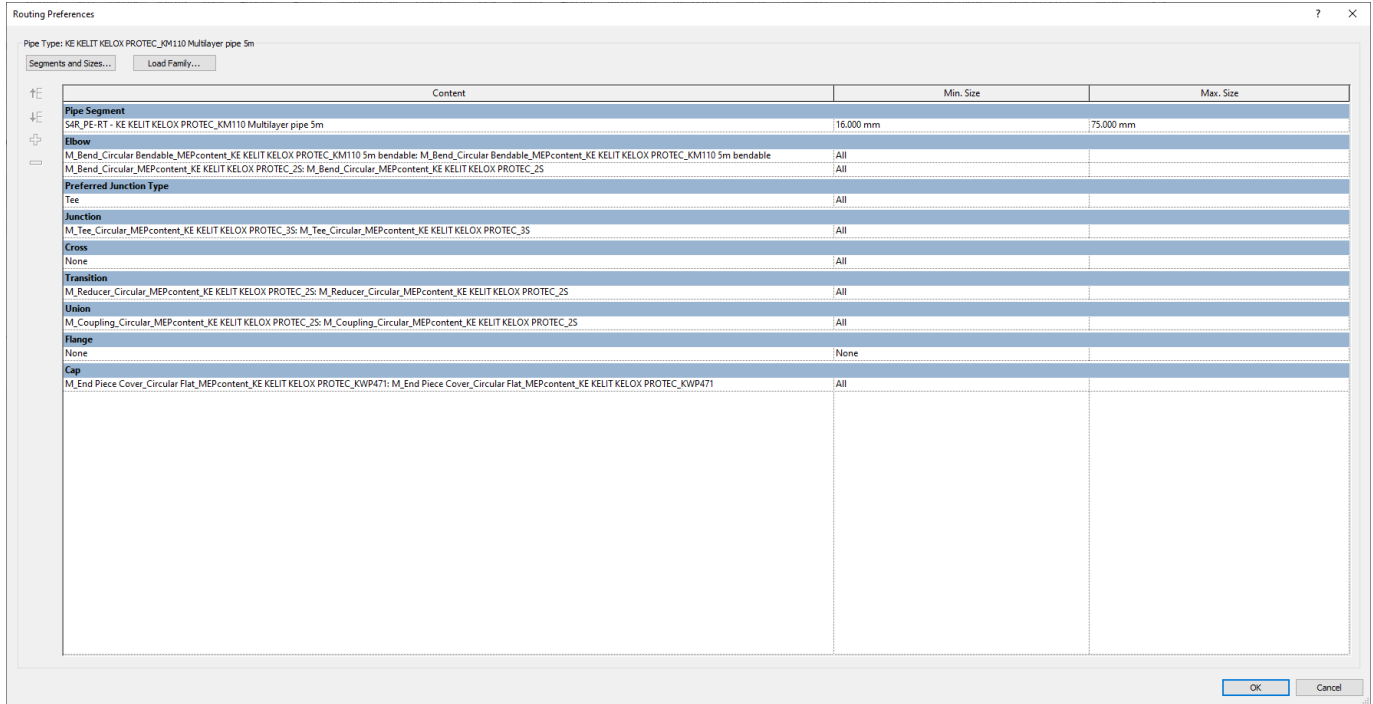


Next, model the system. KE KELIT Kelox PROTEC fittings with the correct article number are automatically added while drawing. Changing the pipes can be done the way you are used to in Revit: select the pipes and change the dimensions. The fittings are automatically adjusted.

For circular pipes a 90° bend is available in autorouting, also if the pipe is of the bendable type, bends will be created automatically from the pipe for the supported angles. However, if the system is drawn at different angles a custom bend will be generated. As these bends do not really exist, they are marked red in the model.

Routing Preferences

For Routing Preferences, all compatible fittings for the specific pipe are added and can be selected by the user preference in the drop-down menu, considering the available sizes of specific fitting.



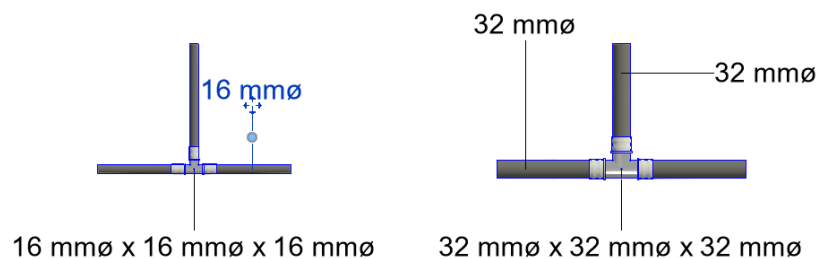
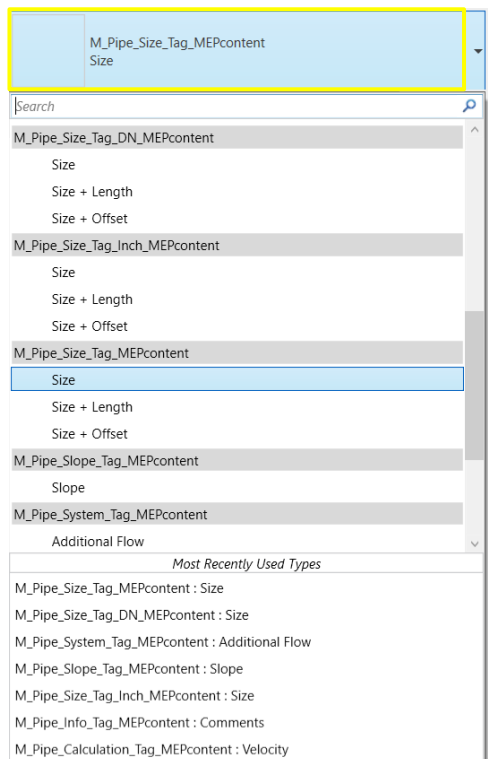
1. Transition bends

The transition bends (mm to inch) are found under "KMP456K", "KMP460", "2S" families. These bends work with Steel pipe which is added in the template.

- + M_Bend_Circular_MEPcontent_KE KELIT KELOX PROTEC_2S
- + M_Bend_Circular_MEPcontent_KE KELIT KELOX PROTEC_KMP420Z
- + M_Bend_Circular_MEPcontent_KE KELIT KELOX PROTEC_KMP456K
- + M_Bend_Circular_MEPcontent_KE KELIT KELOX PROTEC_KMP460

2. Tags

The tag families for pipes are added, by pressing Tag by Category (TG) button and select the tag, for example size tag



Schedules

The template contains three schedules for bills of materials for the accessories, fittings and pipes:

- PI_General_BOM_Pipe Accessory
- PI_General_BOM_Pipe Fittings
- PI_General_BOM_Pipes

<PI_General_BOM_Pipe Fittings>															
A	B	C	D	E	F	G	H	I	J	K	L	M	N	O	
Manufacturer	Product Line	Article Description	Article Type	Manufacturer Art. No.	GTIN	Nominal Diameter 1	Nominal Diameter 2	Nominal Diameter 3	L1	L2	L3	Manufacturer URL	Count	Custom	
KE KELIT	KE KELIT KELOX P	Circular Bend	KMP420Z Zeta elbow 90°	73104BBO	9008795217925	16	16		14	14		https://www.ke	1	No	
KE KELIT	KE KELIT KELOX P	Circular Bend	KMP420Z Zeta elbow 90°	73104DOD	900879521282	20	20		15	15		https://www.ke	1	No	
KE KELIT	KE KELIT KELOX P	Circular Bend	KMP420Z Zeta elbow 90°	73104EEO	9008795219707	25	25		20	20		https://www.ke	1	No	
KE KELIT	KE KELIT KELOX P	Circular Bend	KMP425 Elbow 45°	73108EEO	9008795148458	25	25		18	18		https://www.ke	1	No	
KE KELIT	KE KELIT KELOX P	Circular Bend	KMP425 Elbow 45°	73108FFO	9008795148489	32	32		20	20		https://www.ke	1	No	
KE KELIT	KE KELIT KELOX P	Circular Tee	KMP440 T-piece	73110BBB	9008795131269	16	16	16	14	14	14	https://www.ke	1	No	
KE KELIT	KE KELIT KELOX P	Circular Tee	KMP440 T-piece	73110BDB	9008795131290	16	16	20	16	16	16	https://www.ke	1	No	
KE KELIT	KE KELIT KELOX P	Circular Tee	KMP440 T-piece	73110DBB	9008795131320	20	16	16	16	16	16	https://www.ke	1	No	
KE KELIT	KE KELIT KELOX P	Circular Tee	KMP440 T-piece	73110DOB	9008795131351	20	20	16	16	16	16	https://www.ke	1	No	
KE KELIT	KE KELIT KELOX P	Circular Tee	KMP440 T-piece	73110DDB	9008795131382	20	16	20	16	16	16	https://www.ke	1	No	
KE KELIT	KE KELIT KELOX P	Circular Tee	KMP440 T-piece	73110DDO	9008795131412	20	20	20	16	16	16	https://www.ke	1	No	
KE KELIT	KE KELIT KELOX P	Circular Tee	KMP440 T-piece	73110EBB	9008795131443	25	16	16	20	20	20	https://www.ke	1	No	
KE KELIT	KE KELIT KELOX P	Circular Tee	KMP440 T-piece	73110EBD	9008795131474	25	20	16	19	19	19	https://www.ke	1	No	
KE KELIT	KE KELIT KELOX P	Circular Tee	KMP440 T-piece	73110EBE	9008795131504	25	25	16	19	19	19	https://www.ke	1	No	
KE KELIT	KE KELIT KELOX P	Circular Tee	KMP440 T-piece	73110EDD	9008795131535	25	20	20	19	19	20	https://www.ke	1	No	
KE KELIT	KE KELIT KELOX P	Circular Tee	KMP440 T-piece	73110EDE	9008795131568	25	25	20	20	20	19	https://www.ke	1	No	
KE KELIT	KE KELIT KELOX P	Circular Tee	KMP440 T-piece	73110EEE	9008795131597	25	25	25	20	20	20	https://www.ke	1	No	
KE KELIT	KE KELIT KELOX P	Circular Tee	KMP440 T-piece	73110FBF	9008795148427	32	32	16	24	24	22	https://www.ke	1	No	
KE KELIT	KE KELIT KELOX P	Circular Tee	KMP440 T-piece	73110FDF	9008795131627	32	32	20	24	24	23	https://www.ke	1	No	
KE KELIT	KE KELIT KELOX P	Circular Tee	KMP440 T-piece	73110FEE	9008795131658	32	25	25	24	24	24	https://www.ke	1	No	
KE KELIT	KE KELIT KELOX P	Circular Tee	KMP440 T-piece	73110FEF	9008795131689	32	32	25	24	24	24	https://www.ke	1	No	
KE KELIT	KE KELIT KELOX P	Circular Tee	KMP440 T-piece	73110FFF	9008795131719	32	32	32	24	24	24	https://www.ke	1	No	
KE KELIT	KE KELIT KELOX P	Circular Tee	KMP440Z Zeta T-piece	731118BB	9008795219561	16	16	16	14	14	14	https://www.ke	1	No	
KE KELIT	KE KELIT KELOX P	Circular Tee	KMP440Z Zeta T-piece	73111DDO	9008795219608	20	20	20	16	16	16	https://www.ke	1	No	
KE KELIT	KE KELIT KELOX P	Circular Tee	KMP440Z Zeta T-piece	73111EEE	9008795219646	25	25	25	20	20	20	https://www.ke	1	No	

<PI_General_BOM_Pipe Accessories>															
A	B	C	D	E	F	G	H	I	J	K	L	M	N	O	
Manufacturer	Product Line	Article Description	Article Type	Manufacturer Art. N.	GTIN	Nominal Diameter 1	Nominal Diameter 2	Nominal Diameter 3	Nominal Diameter 4	L1	L2	L3	L4	Manufacturer URL	
KE KELIT	KE KELIT KELOX P	Connection Block H	KM595Z Radiator H-9005105			19	19	19	19	37	37	22	22	https://www.kekelit.com/en_eu/brands/	
KE KELIT	KE KELIT KELOX P	Connection Block H	KM595Z Radiator H-9005110			19	19	19	19	24	24	34	34	https://www.kekelit.com/en_eu/brands/	

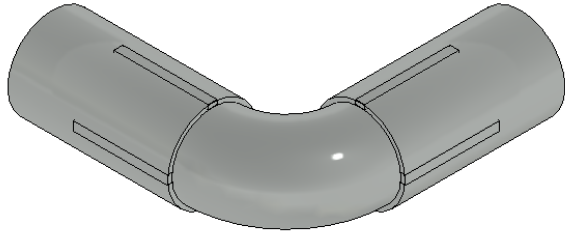
<PI_General_BOM-Pipes>										
A	B	C	D	E	F	G	H	I	J	K
Manufacturer	Product Line	Article Type	Manufacturer Art. No.	GTIN	Length	Diameter	Size	Count	Manufacturer URL	Cost
KE KELIT	KE KELIT KELOX PROTEC	KM144 Pro plus pipe 4mm blue 50m	1005204		4.80 m	20.0 mm	20 mme	1	https://www.kekelit.com/en_eu/brands/	
KE KELIT	KE KELIT KELOX PROTEC	KU100 PE-RT Pipe type 2 red 300m	7012030	9008795120034	4.80 m	20.0 mm	20 mme	1		
KE KELIT	KE KELIT KELOX PROTEC	KU100 PE-RT Pipe type 2 red 600m	7012060	9008795143996	4.80 m	20.0 mm	20 mme	1		
KE KELIT	KE KELIT KELOX PROTEC	KM136 Plus pipe 6mm red 50m	7522201		4.80 m	20.0 mm	20 mme	1	https://www.kekelit.com/en_eu/brands/	



Table of components

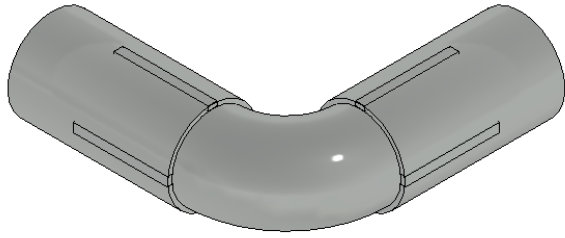
- **Bend**

M_Bend_Circular_MEPcontent_KE KELIT KELOX PROTEC_KMP420.rfa



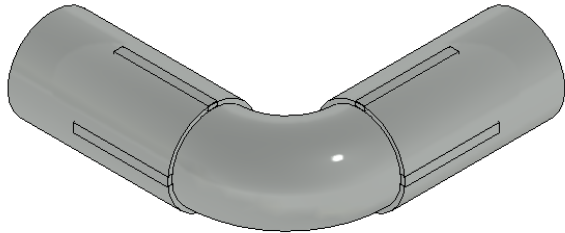
Manufacturer	Article Description	Article Type	Manufacturer Art. No.	Diameter 1	Diameter 2
KE KELIT	Circular Bend	KWP420 Elbow 90°	73603BB0	16	16
KE KELIT	Circular Bend	KWP420 Elbow 90°	73603DD0	20	20
KE KELIT	Circular Bend	KWP420 Elbow 90°	73603EE0	25	25

M_Bend_Circular_MEPcontent_KE KELIT KELOX PROTEC_KMP420Z.rfa



Manufacturer	Article Description	Article Type	Manufacturer Art. No.	Diameter 1	Diameter 2
KE KELIT	Circular Bend	KMP420Z Zeta elbow 90°	73104BB0	16	16
KE KELIT	Circular Bend	KMP420Z Zeta elbow 90°	73104DD0	20	20
KE KELIT	Circular Bend	KMP420Z Zeta elbow 90°	73104EE0	25	25

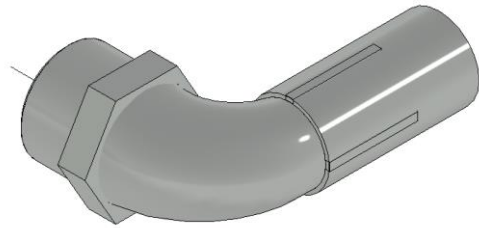
M_Bend_Circular_MEPcontent_KE KELIT KELOX PROTEC_2S.rfa



Manufacturer	Article Description	Article Type	Manufacturer Art. No.	Diameter 1	Diameter 2
KE KELIT	Circular Bend	KMP420 Elbow 90°	73103BB0	16	16
KE KELIT	Circular Bend	KMP420 Elbow 90°	73103DD0	20	20

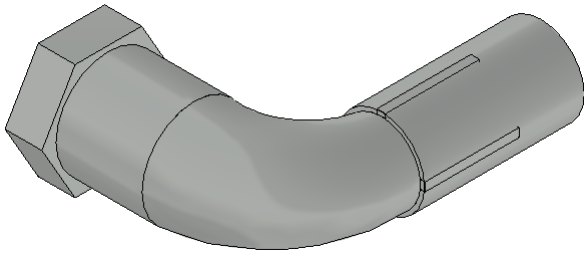
Manufacturer	Article Description	Article Type	Manufacturer Art. No.	Diameter 1	Diameter 2
KE KELIT	Circular Bend	KMP420 Elbow 90°	73103EE0	25	25
KE KELIT	Circular Bend	KMP420 Elbow 90°	73103FF0	32	32
KE KELIT	Circular Bend	KMU420 Elbow 90°	71103GG0	40	40
KE KELIT	Circular Bend	KMU420 Elbow 90°	71103HH0	50	50
KE KELIT	Circular Bend	KMU420 Elbow 90°	71103II0	63	63
KE KELIT	Circular Bend	KMU420 Elbow 90°	71103JJ0	75	75
KE KELIT	Circular Bend	KMP425 Elbow 45°	73106EE0	25	25
KE KELIT	Circular Bend	KMP425 Elbow 45°	73106FF0	32	32
KE KELIT	Circular Bend	KMU425 Elbow 45°	71106GG0	40	40
KE KELIT	Circular Bend	KMU425 Elbow 45°	71106HH0	50	50
KE KELIT	Circular Bend	KMU425 Elbow 45°	71106II0	63	63
KE KELIT	Circular Bend	KMU425 Elbow 45°	71106JJ0	75	75
KE KELIT	Circular Bend	KMP467 Elbow adaptor 90° with F thr.	73216B02	1/2"	16
KE KELIT	Circular Bend	KMP467 Elbow adaptor 90° with F thr.	73216D02	1/2"	20

Manufacturer	Article Description	Article Type	Manufacturer Art. No.	Diameter 1	Diameter 2
KE KELIT	Circular Bend	KMP467 Elbow adaptor 90° with F thr.	73216D04	3/4"	20
KE KELIT	Circular Bend	KMP467 Elbow adaptor 90° with F thr.	73216E04	3/4"	25
KE KELIT	Circular Bend	KMP467 Elbow adaptor 90° with F thr.	73216F05	1"	32



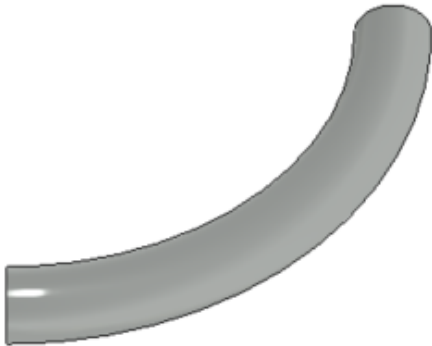
Manufacturer	Article Description	Article Type	Manufacturer Art. No.	Diameter 1	Diameter 2
KE KELIT	Circular Bend	KMP460 Elbow adaptor 90° with M thr.	73212B02	1/2"	16
KE KELIT	Circular Bend	KMP460 Elbow adaptor 90° with M thr.	73212D02	1/2"	20
KE KELIT	Circular Bend	KMP460 Elbow adaptor 90° with M thr.	73212D04	3/4"	20
KE KELIT	Circular Bend	KMP460 Elbow adaptor 90° with M thr.	73212E04	3/4"	25
KE KELIT	Circular Bend	KMP460 Elbow adaptor 90° with M thr.	73212F05	1"	32

M_Bend_Circular_MEPcontent_KE KELIT KELOX PROTEC_KMP456K.rfa



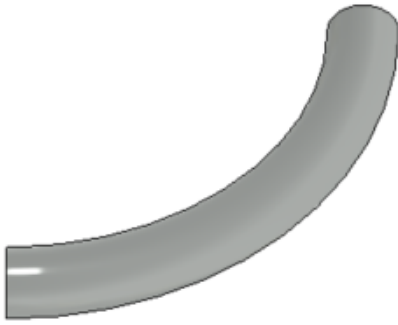
Manufacturer	Article Description	Article Type	Manufacturer Art. No.	Diameter 1	Diameter 2
KE KELIT	Circular Bend	KMP456K Union 90° with F thr. and wedge seal	73207B02	1/2"	16
KE KELIT	Circular Bend	KMP456K Union 90° with F thr. and wedge seal	73207D02	1/2"	20

M_Bend_Circular Bendable_MEPcontent_KE KELIT KELOX PROTEC_KM100 50m.rfa



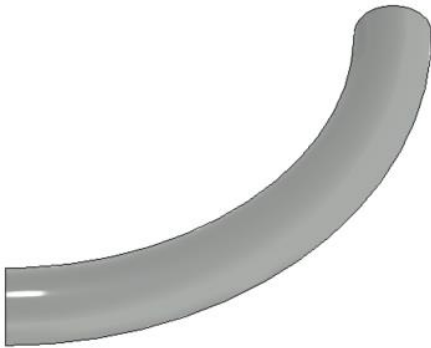
Manufacturer	Article Description	Article Type	Manufacturer Art. No.	Diameter 1	Diameter 2
KE KELIT	Circular Bendable Bend	KM100 Multilayer pipe 50m bendable	7411250	25	25
KE KELIT	Circular Bendable Bend	KM100 Multilayer pipe 50m bendable	7411320	32	32

M_Bend_Circular Bendable_MEPcontent_KE KELIT KELOX PROTEC_KM100 100m.rfa

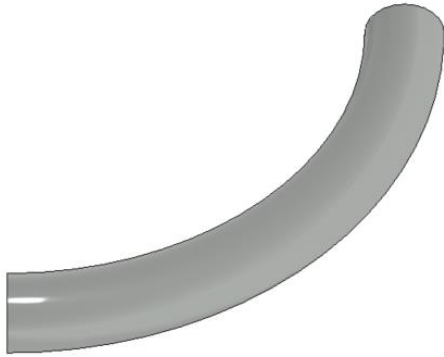


Manufacturer	Article Description	Article Type	Manufacturer Art. No.	Diameter 1	Diameter 2
KE KELIT	Circular Bendable Bend	KM100 Multilayer pipe 100m bendable	7521200	20	20

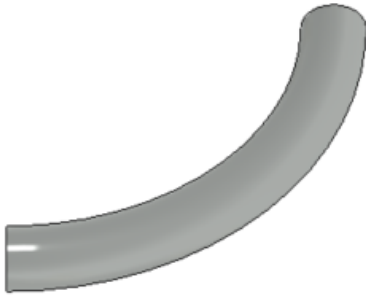
M_Bend_Circular Bendable_MEPcontent_KE KELIT KELOX PROTEC_KM100 200m.rfa



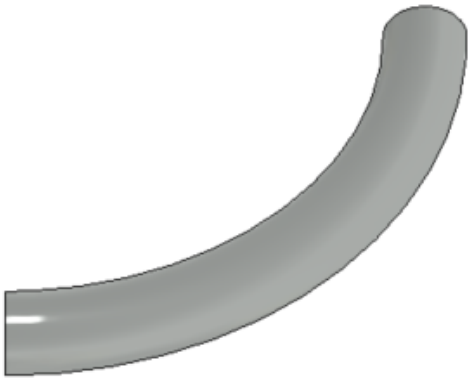
Manufacturer	Article Description	Article Type	Manufacturer Art. No.	Diameter 1	Diameter 2
KE KELIT	Circular Bendable Bend	KM100 Multilayer pipe 200m bendable	7521160	16	16
KE KELIT	Circular Bendable Bend	KM100 Multilayer pipe 200m bendable	7521180	18	18



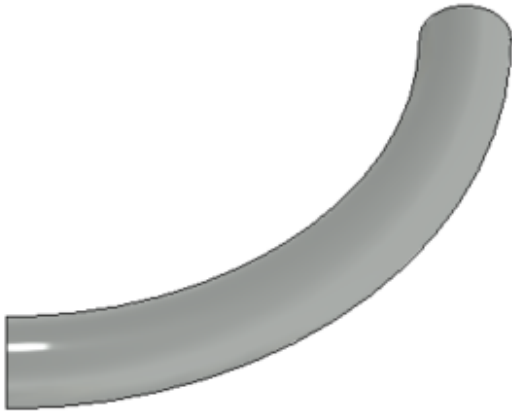
Manufacturer	Article Description	Article Type	Manufacturer Art. No.	Diameter 1	Diameter 2
KE KELIT	Circular Bendable Bend	KM130 Plus pipe 9mm red 25m bendable	7521251	25	25
KE KELIT	Circular Bendable Bend	KM130 Plus pipe 9mm red 25m bendable	7521321	32	32



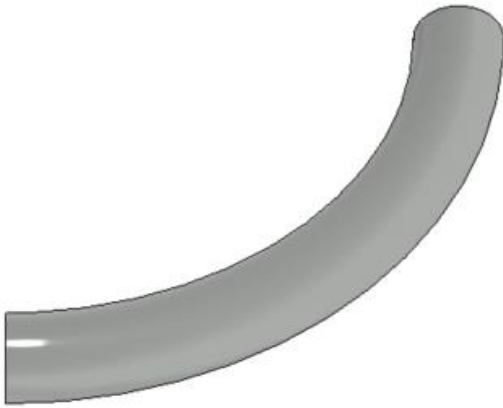
Manufacturer	Article Description	Article Type	Manufacturer Art. No.	Diameter 1	Diameter 2
KE KELIT	Circular Bendable Bend	KM130 Plus pipe 9mm red 50m bendable	7521161	16	16
KE KELIT	Circular Bendable Bend	KM130 Plus pipe 9mm red 50m bendable	7521181	18	18
KE KELIT	Circular Bendable Bend	KM130 Plus pipe 9mm red 50m bendable	7521201	20	20



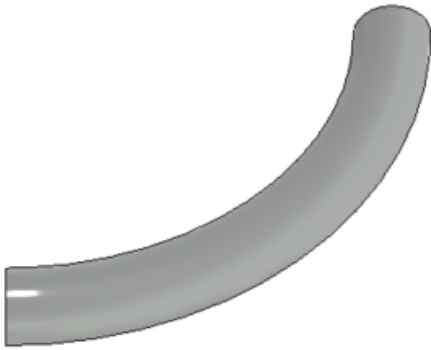
Manufacturer	Article Description	Article Type	Manufacturer Art. No.	Diameter 1	Diameter 2
KE KELIT	Circular Bendable Bend	KM133 Plus pipe 13mm orange 25m bendable	75212513	25	25
KE KELIT	Circular Bendable Bend	KM133 Plus pipe 13mm orange 25m bendable	75213213	32	32



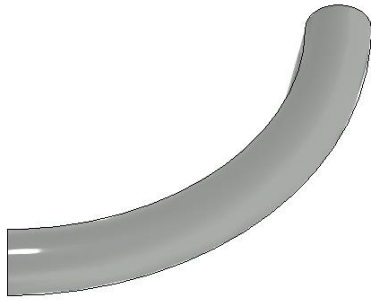
Manufacturer	Article Description	Article Type	Manufacturer Art. No.	Diameter 1	Diameter 2
KE KELIT	Circular Bendable Bend	KM133 Plus pipe 13mm orange 50m bendable	75211613	16	16
KE KELIT	Circular Bendable Bend	KM133 Plus pipe 13mm orange 50m bendable	75212013	20	20



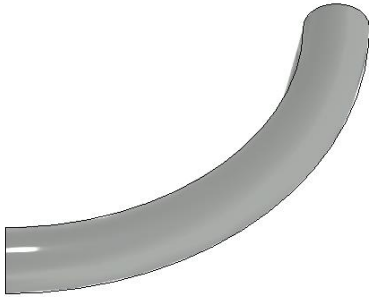
Manufacturer	Article Description	Article Type	Manufacturer Art. No.	Diameter 1	Diameter 2
KE KELIT	Circular Bendable Bend	KM134 Plus pipe 4mm blue 25m bendable	7521254	25	25
KE KELIT	Circular Bendable Bend	KM134 Plus pipe 4mm blue 25m bendable	7521324	32	32



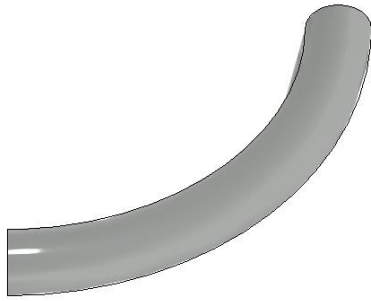
Manufacturer	Article Description	Article Type	Manufacturer Art. No.	Diameter 1	Diameter 2
KE KELIT	Circular Bendable Bend	KM134 Plus pipe 4mm blue 50m bendable	7521164	16	16
KE KELIT	Circular Bendable Bend	KM134 Plus pipe 4mm blue 50m bendable	7521184	18	18
KE KELIT	Circular Bendable Bend	KM134 Plus pipe 4mm blue 50m bendable	7521204	20	20



Manufacturer	Article Description	Article Type	Manufacturer Art. No.	Diameter 1	Diameter 2
KE KELIT	Circular Bendable Bend	KM140 Plus pipe 6mm blue 50m bendable	1005160	16	16
KE KELIT	Circular Bendable Bend	KM140 Plus pipe 6mm blue 50m bendable	1005200	20	20

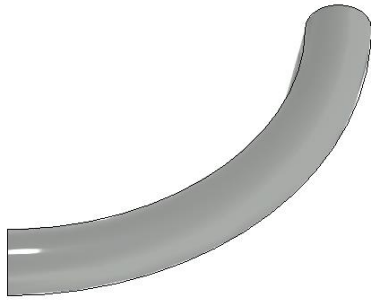


Manufacturer	Article Description	Article Type	Manufacturer Art. No.	Diameter 1	Diameter 2
KE KELIT	Circular Bendable Bend	KM144 Pro plus pipe 4mm blue 50m bendable	1005164	16	16
KE KELIT	Circular Bendable Bend	KM144 Pro plus pipe 4mm blue 50m bendable	1005204	20	20



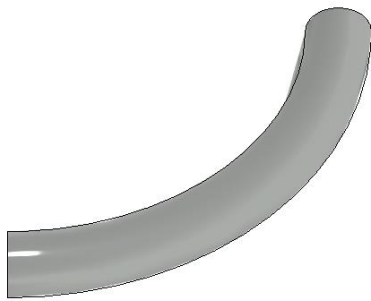
Manufacturer	Article Description	Article Type	Manufacturer Art. No.	Diameter 1	Diameter 2
KE KELIT	Circular Bendable Bend	KU100 Pipe type 2 red 300m bendable	7011630	16	16
KE KELIT	Circular Bendable Bend	KU100 Pipe type 2 red 300m bendable	7012030	20	20
KE KELIT	Circular Bendable Bend	KU100 Pipe type 2 red 300m bendable	7012530	25	25

M_Bend_Circular Bendable_MEPcontent_KE KELIT KELOX PROTEC_KU100 500m.rfa



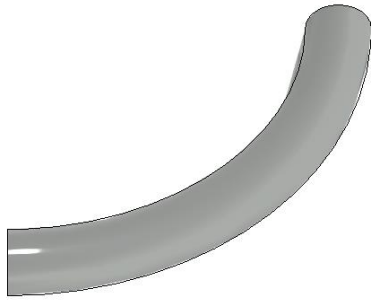
Manufacturer	Article Description	Article Type	Manufacturer Art. No.	Diameter 1	Diameter 2
KE KELIT	Circular Bendable Bend	KU10 Pipe type 2 red 500m bendable	7011650	16	16

M_Bend_Circular Bendable_MEPcontent_KE KELIT KELOX PROTEC_KU100 600m.rfa



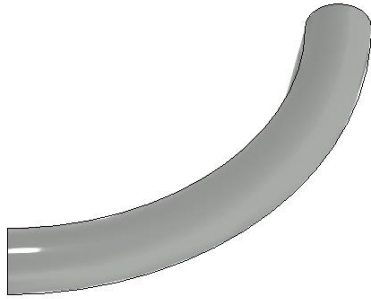
Manufacturer	Article Description	Article Type	Manufacturer Art. No.	Diameter 1	Diameter 2
KE KELIT	Circular Bendable Bend	KU100 Pipe type 2 red 600m bendable	7012060	20	20

M_Bend_Circular Bendable_MEPcontent_KE KELIT KELOX PROTEC_KUC100 50m.rfa



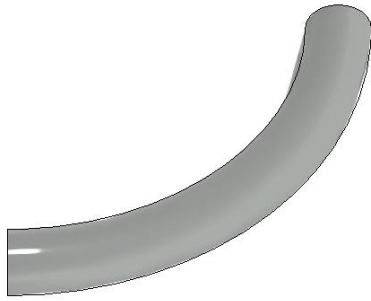
Manufacturer	Article Description	Article Type	Manufacturer Art. No.	Diameter 1	Diameter 2
KE KELIT	Circular Bendable Bend	KUC100 ECO Pipe white 50m bendable	7032520	25	25
KE KELIT	Circular Bendable Bend	KUC100 ECO Pipe white 50m bendable	7033220	32	32

M_Bend_Circular Bendable_MEPcontent_KE KELIT KELOX PROTEC_KUC100 100m.rfa



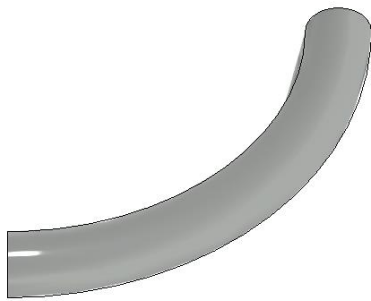
Manufacturer	Article Description	Article Type	Manufacturer Art. No.	Diameter 1	Diameter 2
KE KELIT	Circular Bendable Bend	KUC100 ECO Pipe white 100m bendable	7032020	20	20

M_Bend_Circular Bendable_MEPcontent_KE KELIT KELOX PROTEC_KUC100 200m.rfa



Manufacturer	Article Description	Article Type	Manufacturer Art. No.	Diameter 1	Diameter 2
KE KELIT	Circular Bendable Bend	KUC100 ECO Pipe white 200m bendable	7031620	16	16

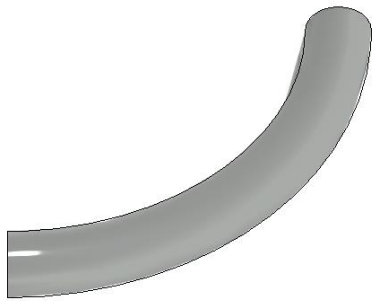
M_Bend_Circular Bendable_MEPcontent_KE KELIT KELOX PROTEC_KM110 5m bendable.rfa



Manufacturer	Article Description	Article Type	Manufacturer Art. No.	Diameter 1	Diameter 2
KE KELIT	Circular Bendable Bend	KM110 Multilayer pipe 5m bendable	7410160	16	16
KE KELIT	Circular Bendable Bend	KM110 Multilayer pipe 5m bendable	7527200	20	20

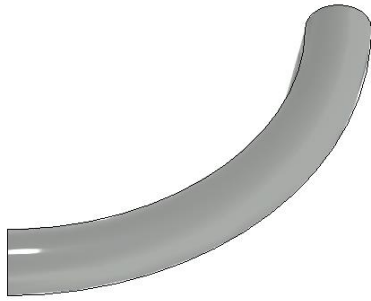
Manufacturer	Article Description	Article Type	Manufacturer Art. No.	Diameter 1	Diameter 2
KE KELIT	Circular Bendable Bend	KM110 Multilayer pipe 5m bendable	7410250	25	25
KE KELIT	Circular Bendable Bend	KM110 Multilayer pipe 5m bendable	7410320	32	32

M_Bend_Circular Bendable_MEPcontent_KE KELIT KELOX PROTEC_KM136B 50m.rfa



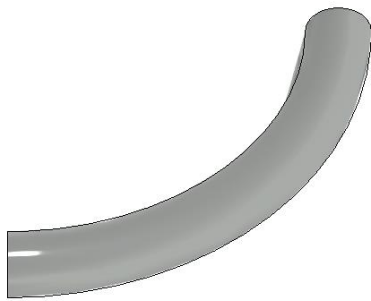
Manufacturer	Article Description	Article Type	Manufacturer Art. No.	Diameter 1	Diameter 2
KE KELIT	Circular Bendable Bend	KM136B Plus pipe 6mm blue 50m bendable	7522160E	16	16
KE KELIT	Circular Bendable Bend	KM136B Plus pipe 6mm blue 50m bendable	7522200E	20	20
KE KELIT	Circular Bendable Bend	KM136B Plus pipe 6mm blue 50m bendable	7522250E	25	25

M_Bend_Circular Bendable_MEPcontent_KE KELIT KELOX PROTEC_KM136B 25m.rfa



Manufacturer	Article Description	Article Type	Manufacturer Art. No.	Diameter 1	Diameter 2
KE KELIT	Circular Bendable Bend	KM136B Plus pipe 6mm blue 25m bendable	7522320E	32	32

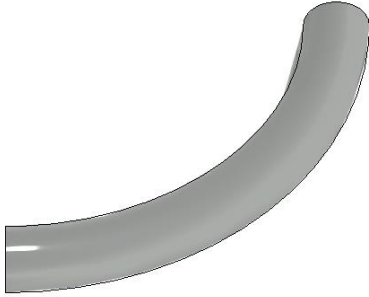
M_Bend_Circular Bendable_MEPcontent_KE KELIT KELOX PROTEC_KM136R 50m.rfa



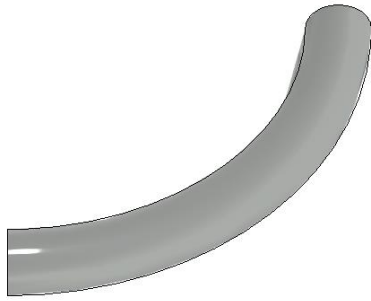
Manufacturer	Article Description	Article Type	Manufacturer Art. No.	Diameter 1	Diameter 2
KE KELIT	Circular Bendable Bend	KM136R Plus pipe 6mm red 50m bendable	7522161E	16	16
KE KELIT	Circular Bendable Bend	KM136R Plus pipe 6mm red 50m bendable	7522201E	20	20

Manufacturer	Article Description	Article Type	Manufacturer Art. No.	Diameter 1	Diameter 2
KE KELIT	Circular Bendable Bend	KM136R Plus pipe 6mm red 50m bendable	7522251E	25	25

M_Bend_Circular Bendable_MEPcontent_KE KELIT KELOX PROTEC_KM136R 25m.rfa

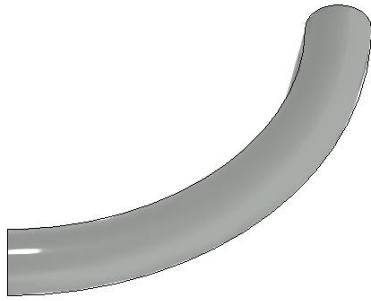


Manufacturer	Article Description	Article Type	Manufacturer Art. No.	Diameter 1	Diameter 2
KE KELIT	Circular Bendable Bend	KM136R Plus pipe 6mm red 25m bendable	7522321E	32	32



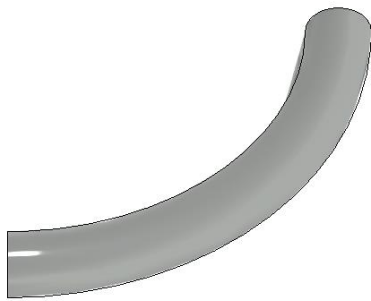
Manufacturer	Article Description	Article Type	Manufacturer Art. No.	Diameter 1	Diameter 2
KE KELIT	Circular Bendable Bend	KM142B Plus pipe 20mm blue 50m bendable	75225160	16	16
KE KELIT	Circular Bendable Bend	KM142B Plus pipe 20mm blue 50m bendable	75225200	20	20
KE KELIT	Circular Bendable Bend	KM142B Plus pipe 20mm blue 50m bendable	75225250	25	25

M_Bend_Circular Bendable_MEPcontent_KE KELIT KELOX PROTEC_KM142B 25m.rfa



Manufacturer	Article Description	Article Type	Manufacturer Art. No.	Diameter 1	Diameter 2
KE KELIT	Circular Bendable Bend	KM142B Plus pipe 20mm blue 25m bendable	75225320	32	32

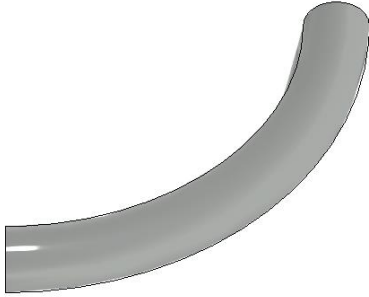
M_Bend_Circular Bendable_MEPcontent_KE KELIT KELOX PROTEC_KM142R 50m.rfa



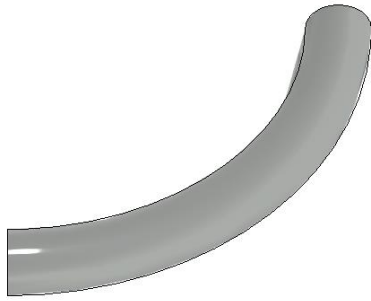
Manufacturer	Article Description	Article Type	Manufacturer Art. No.	Diameter 1	Diameter 2
KE KELIT	Circular Bendable Bend	KM142R Plus pipe 20mm red 50m bendable	75225161	16	16
KE KELIT	Circular Bendable Bend	KM142R Plus pipe 20mm red 50m bendable	75225201	20	20

Manufacturer	Article Description	Article Type	Manufacturer Art. No.	Diameter 1	Diameter 2
KE KELIT	Circular Bendable Bend	KM142R Plus pipe 20mm red 50m bendable	75225251	25	25

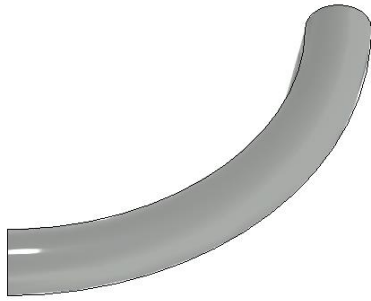
M_Bend_Circular Bendable_MEPcontent_KE KELIT KELOX PROTEC_KM142R 25m.rfa



Manufacturer	Article Description	Article Type	Manufacturer Art. No.	Diameter 1	Diameter 2
KE KELIT	Circular Bendable Bend	KM142R Plus pipe 20mm red 25m bendable	75225321	32	32



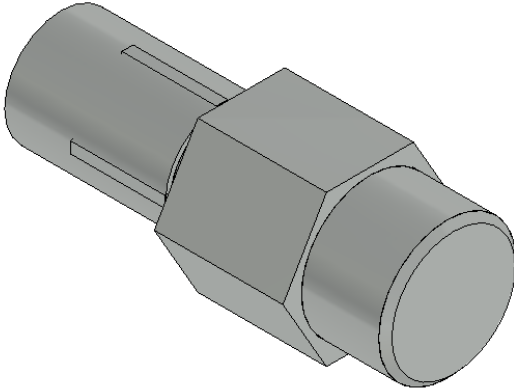
Manufacturer	Article Description	Article Type	Manufacturer Art. No.	Diameter 1	Diameter 2
KE KELIT	Circular Bendable Bend	KM146B Plus pipe 26mm blue 25m bendable	75226160	16	16
KE KELIT	Circular Bendable Bend	KM146B Plus pipe 26mm blue 25m bendable	75226200	20	20
KE KELIT	Circular Bendable Bend	KM146B Plus pipe 26mm blue 25m bendable	75226250	25	25
KE KELIT	Circular Bendable Bend	KM146B Plus pipe 26mm blue 25m bendable	75226320	32	32



Manufacturer	Article Description	Article Type	Manufacturer Art. No.	Diameter 1	Diameter 2
KE KELIT	Circular Bendable Bend	KM146R Plus pipe 26mm red 25m bendable	75226161	16	16
KE KELIT	Circular Bendable Bend	KM146R Plus pipe 26mm red 25m bendable	75226201	20	20
KE KELIT	Circular Bendable Bend	KM146R Plus pipe 26mm red 25m bendable	75226251	25	25
KE KELIT	Circular Bendable Bend	KM146R Plus pipe 26mm red 25m bendable	75226321	32	32

- **Connection**

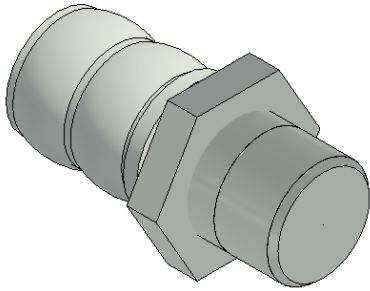
M_Connection Piece_Circular_MEPcontent_KE KELIT KELOX PROTEC_KMP450.rfa



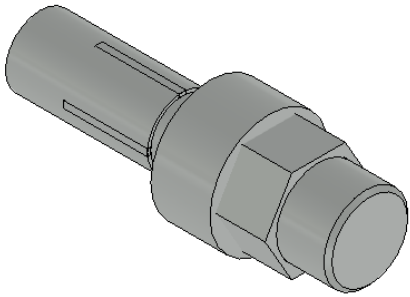
Manufacturer	Article Description	Article Type	Manufacturer Art. No.	Diameter 1	Diameter 2
KE KELIT	Circular Connection Piece	KMP450 Adaptor with M thr.	73202B02	16	1/2"
KE KELIT	Circular Connection Piece	KMP450 Adaptor with M thr.	73202D02	20	1/2"
KE KELIT	Circular Connection Piece	KMP450 Adaptor with M thr.	73202D04	20	3/4"
KE KELIT	Circular Connection Piece	KMP450 Adaptor with M thr.	73202E04	25	3/4"
KE KELIT	Circular Connection Piece	KMP450 Adaptor with M thr.	73202E05	25	1"
KE KELIT	Circular Connection Piece	KMP450 Adaptor with M thr.	73202F02	32	1/2"
KE KELIT	Circular Connection Piece	KMP450 Adaptor with M thr.	73202F04	32	3/4"

Manufacturer	Article Description	Article Type	Manufacturer Art. No.	Diameter 1	Diameter 2
KE KELIT	Circular Connection Piece	KMP450 Adaptor with M thr.	73202F05	32	1"

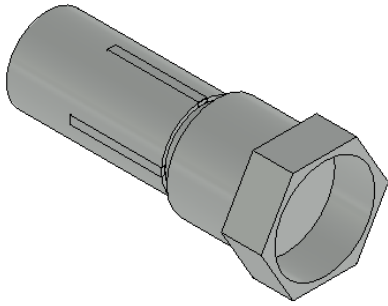
M_Connection Piece_Circular Nut_MEPcontent_KE KELIT KELOX PROTEC_KMU450.rfa



Manufacturer	Article Description	Article Type	Manufacturer Art. No.	Diameter 1	Diameter 2
KE KELIT	Circular Connection Piece	KMU450 Adaptor with M thr.	71202G06	40	1 1/4"
KE KELIT	Circular Connection Piece	KMU450 Adaptor with M thr.	71202G07	40	1 1/2"
KE KELIT	Circular Connection Piece	KMU450 Adaptor with M thr.	71202H07	50	1 1/2"
KE KELIT	Circular Connection Piece	KMU450 Adaptor with M thr.	71202H09	50	2"
KE KELIT	Circular Connection Piece	KMU450 Adaptor with M thr.	71202I09	63	2"
KE KELIT	Circular Connection Piece	KMU450 Adaptor with M thr.	71202J12	75	2 1/2"

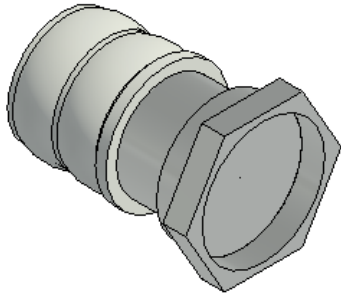


Manufacturer	Article Description	Article Type	Manufacturer Art. No.	Diameter 1	Diameter 2
KE KELIT	Circular Connection Piece	KMP451 Union with M thr.	73241B02	16	1/2"
KE KELIT	Circular Connection Piece	KMP451 Union with M thr.	73241D02	20	1/2"
KE KELIT	Circular Connection Piece	KMP451 Union with M thr.	73241D04	20	3/4"
KE KELIT	Circular Connection Piece	KMP451 Union with M thr.	73241E04	25	3/4"
KE KELIT	Circular Connection Piece	KMP451 Union with M thr.	73241E05	25	1"
KE KELIT	Circular Connection Piece	KMP451 Union with M thr.	73241F05	32	1"



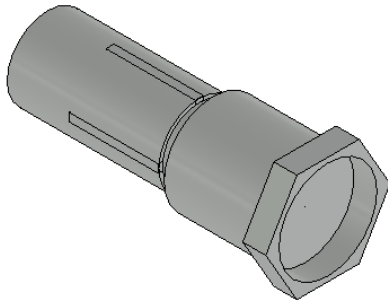
Manufacturer	Article Description	Article Type	Manufacturer Art. No.	Diameter 1	Diameter 2
KE KELIT	Circular Connection Piece	KMP455 Union with F thr.	73203B02	16	1/2"
KE KELIT	Circular Connection Piece	KMP455 Union with F thr.	73203B04	16	3/4"
KE KELIT	Circular Connection Piece	KMP455 Union with F thr.	73203D04	20	3/4"
KE KELIT	Circular Connection Piece	KMP455 Union with F thr.	73203E04	25	3/4"
KE KELIT	Circular Connection Piece	KMP455 Union with F thr.	73203E05	25	1"
KE KELIT	Circular Connection Piece	KMP455 Union with F thr.	73203F04	32	3/4"
KE KELIT	Circular Connection Piece	KMP455 Union with F thr.	73203F05	32	1"
KE KELIT	Circular Connection Piece	KMP455 Union with F thr.	73203F06	32	1 1/4"

M_Connection Piece_Circular_MEPcontent_KE KELIT KELOX PROTEC_KMU455.rfa



Manufacturer	Article Description	Article Type	Manufacturer Art. No.	Diameter 1	Diameter 2
KE KELIT	Circular Connection Piece	KMU455 Union with F thr.	71203G07	40	1 1/2"

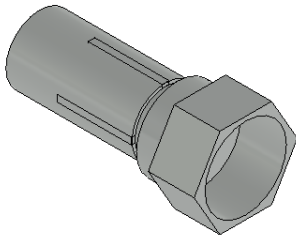
M_Connection Piece_Circular_MEPcontent_KE KELIT KELOX PROTEC_KMP455K.rfa



Manufacturer	Article Description	Article Type	Manufacturer Art. No.	Diameter 1	Diameter 2
KE KELIT	Circular Connection Piece	KMP455K Union with F thr. and wedge seal	73204B02	16	1/2"

Manufacturer	Article Description	Article Type	Manufacturer Art. No.	Diameter 1	Diameter 2
KE KELIT	Circular Connection Piece	KMP455K Union with F thr. and wedge seal	73204D02	20	1/2"
KE KELIT	Circular Connection Piece	KMP455K Union with F thr. and wedge seal	73204D04	20	3/4"
KE KELIT	Circular Connection Piece	KMP455K Union with F thr. and wedge seal	73204E04	25	3/4"
KE KELIT	Circular Connection Piece	KMP455K Union with F thr. and wedge seal	73204F04	32	3/4"

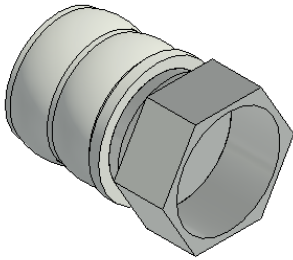
M_Connection Piece_Circular_MEPcontent_KE KELIT KELOX PROTEC_KMP457.rfa



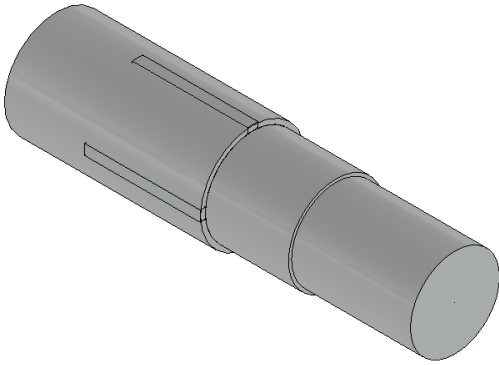
Manufacturer	Article Description	Article Type	Manufacturer Art. No.	Diameter 1	Diameter 2
KE KELIT	Circular Connection Piece	KMP457 Adaptor with F thr.	73206B02	16	1/2"
KE KELIT	Circular Connection Piece	KMP457 Adaptor with F thr.	73206D02	20	1/2"
KE KELIT	Circular Connection Piece	KMP457 Adaptor with F thr.	73206D04	20	3/4"

Manufacturer	Article Description	Article Type	Manufacturer Art. No.	Diameter 1	Diameter 2
KE KELIT	Circular Connection Piece	KMP457 Adaptor with F thr.	73206E04	25	3/4"
KE KELIT	Circular Connection Piece	KMP457 Adaptor with F thr.	73206E05	25	1"
KE KELIT	Circular Connection Piece	KMP457 Adaptor with F thr.	73206F05	32	1"

M_Connection Piece_Circular_MEPcontent_KE KELIT KELOX PROTEC_KMU457.rfa

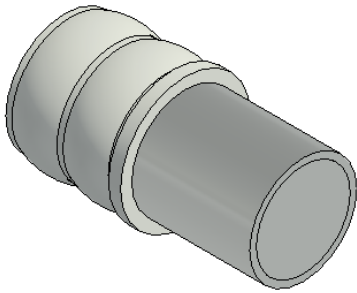


KE KELIT	Circular Connection Piece	KMU457 Adaptor with F thr.	71206G06	40	1 1/4"
KE KELIT	Circular Connection Piece	KMU457 Adaptor with F thr.	71206G07	40	1 1/2"
KE KELIT	Circular Connection Piece	KMU457 Adaptor with F thr.	71206H07	50	1 1/2"
KE KELIT	Circular Connection Piece	KMU457 Adaptor with F thr.	71206I09	63	2"
KE KELIT	Circular Connection Piece	KMU457 Adaptor with F thr.	71206J12	75	2 1/2"



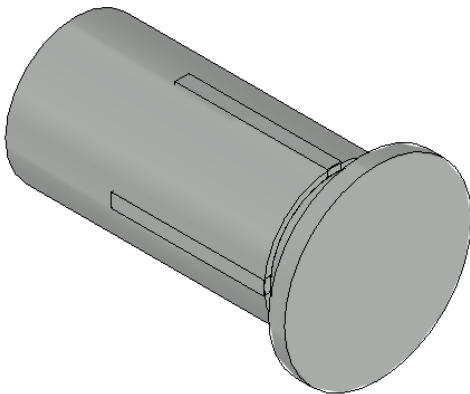
Manufacturer	Article Description	Article Type	Manufacturer Art. No.	Diameter 1	Diameter 2
KE KELIT	Circular Connection Piece	KMP489 PROTEC-STEELFIX Adaptor	73272BB0	16	15
KE KELIT	Circular Connection Piece	KMP489 PROTEC-STEELFIX Adaptor	73272CD0	20	18
KE KELIT	Circular Connection Piece	KMP489 PROTEC-STEELFIX Adaptor	73272DD0	20	22
KE KELIT	Circular Connection Piece	KMP489 PROTEC-STEELFIX Adaptor	73272DE0	25	22
KE KELIT	Circular Connection Piece	KMP489 PROTEC-STEELFIX Adaptor	73272EF0	32	28

M_Connection Piece_Circular_MEPcontent_KE KELIT KELOX PROTEC_KMU489.rfa

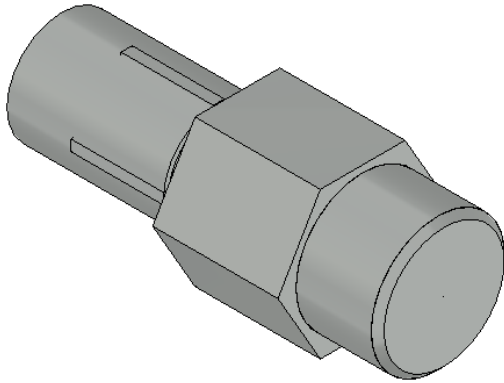


Manufacturer	Article Description	Article Type	Manufacturer Art. No.	Diameter 1	Diameter 2
KE KELIT	Circular Connection Piece	KMU489 ULTRAX-STEELFIX Adaptor	53272FG0	40	35

M_Connection Piece_Circular_MEPcontent_KE KELIT KELOX PROTEC_KMP552.rfa



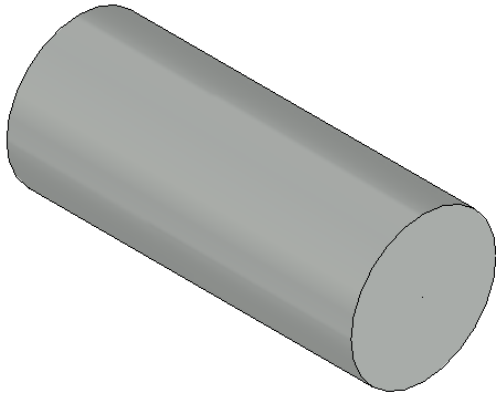
Manufacturer	Article Description	Article Type	Manufacturer Art. No.	Diameter 1	Diameter 2
KE KELIT	Circular Connection Piece	KMP552 Push manifold adaptor	73175B00	16	23.5
KE KELIT	Circular Connection Piece	KMP552 Push manifold adaptor	73175D00	20	23.5



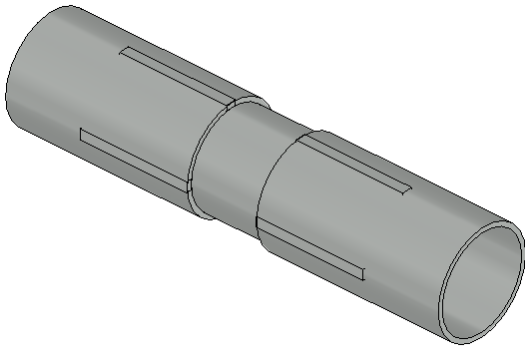
Manufacturer	Article Description	Article Type	Manufacturer Art. No.	Diameter 1	Diameter 2
KE KELIT	Circular Connection Piece	KWP450 Adaptor with M thr.	73702B02	16	1/2"
KE KELIT	Circular Connection Piece	KWP450 Adaptor with M thr.	73702D02	20	1/2"
KE KELIT	Circular Connection Piece	KWP450 Adaptor with M thr.	73702D04	20	3/4"
KE KELIT	Circular Connection Piece	KWP450 Adaptor with M thr.	73702E04	25	3/4"

- **Coupling**

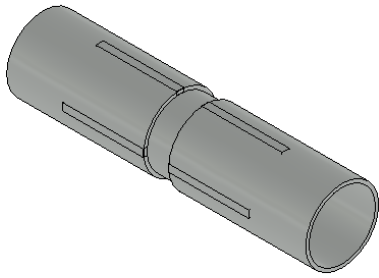
M_Coupling_Circular_MEPcontent_KE KELIT KELOX PROTEC_KM111.rfa



Manufacturer	Article Description	Article Type	Manufacturer Art. No.	Diameter 1	Diameter 2
KE KELIT	Circular Coupling	KM111 Multilayer pipe nipple	74101601	16	16
KE KELIT	Circular Coupling	KM111 Multilayer pipe nipple	75272001	20	20
KE KELIT	Circular Coupling	KM111 Multilayer pipe nipple	74102501	25	25
KE KELIT	Circular Coupling	KM111 Multilayer pipe nipple	74103201	32	32



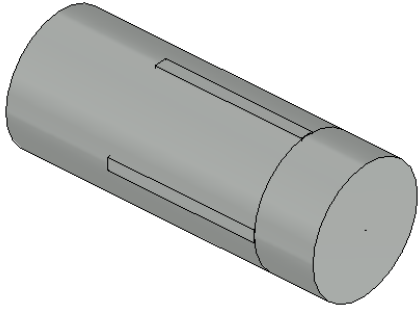
Manufacturer	Article Description	Article Type	Manufacturer Art. No.	Diameter 1	Diameter 2
KE KELIT	Circular Coupling	KWP410 Coupling equal	73600BB0	16	16
KE KELIT	Circular Coupling	KWP410 Coupling equal	73600DD0	20	20
KE KELIT	Circular Coupling	KWP410 Coupling equal	73600EE0	25	25



Manufacturer	Article Description	Article Type	Manufacturer Art. No.	Diameter 1	Diameter 2
KE KELIT	Circular Coupling	KMP410 Coupling equal	73100BB0	16	16
KE KELIT	Circular Coupling	KMP410 Coupling equal	73100DD0	20	20
KE KELIT	Circular Coupling	KMP410 Coupling equal	73100EE0	25	25
KE KELIT	Circular Coupling	KMP410 Coupling equal	73100FF0	32	32
KE KELIT	Circular Coupling	KMU410 Coupling equal	71100GG0	40	40
KE KELIT	Circular Coupling	KMU410 Coupling equal	71100HH0	50	50
KE KELIT	Circular Coupling	KMU410 Coupling equal	71100II0	63	63
KE KELIT	Circular Coupling	KMU410 Coupling equal	71100JJ0	75	75

- End Piece

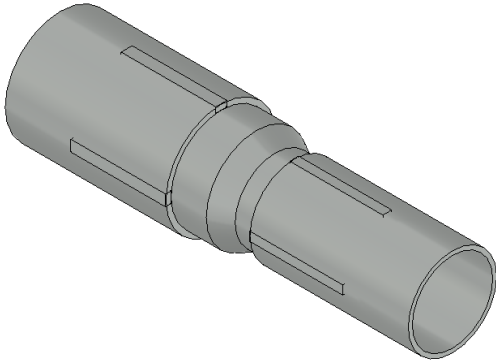
M_End Piece Cover_Circular Flat_MEPcontent_KE KELIT KELOX PROTEC_KWP471.rfa



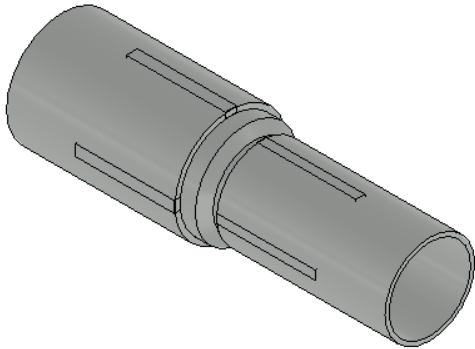
Manufacturer	Article Description	Article Type	Manufacturer Art. No.	Diameter 1
KE KELIT	Circular Cover End Piece	KWP471 End cap	73620B00	16
KE KELIT	Circular Cover End Piece	KWP471 End cap	73620D00	20

- Reducer

M_Reducer_Circular_MEPcontent_KE KELIT KELOX PROTEC_KWP410.rfa



Manufacturer	Article Description	Article Type	Manufacturer Art. No.	Diameter 1	Diameter 2
KE KELIT	Circular Reducer	KWP410 Coupling reduced	73600DB0	20	16
KE KELIT	Circular Reducer	KWP410 Coupling reduced	73600EDO	25	20

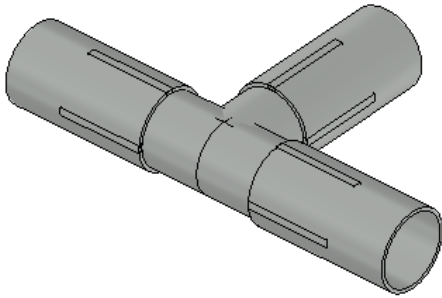


Manufacturer	Article Description	Article Type	Manufacturer Art. No.	Diameter 1	Diameter 2
KE KELIT	Circular Reducer	KMP410 Coupling reduced	73100DB0	20	16
KE KELIT	Circular Reducer	KMP410 Coupling reduced	73100EBO	25	16
KE KELIT	Circular Reducer	KMP410 Coupling reduced	73100EDO	25	20
KE KELIT	Circular Reducer	KMP410 Coupling reduced	73100FB0	32	16
KE KELIT	Circular Reducer	KMP410 Coupling reduced	73100FD0	32	20
KE KELIT	Circular Reducer	KMP410 Coupling reduced	73100FE0	32	25
KE KELIT	Circular Reducer	KMU410 Coupling reduced	71100GE0	40	25
KE KELIT	Circular Reducer	KMU410 Coupling reduced	71100GF0	40	32

Manufacturer	Article Description	Article Type	Manufacturer Art. No.	Diameter 1	Diameter 2
KE KELIT	Circular Reducer	KMU410 Coupling reduced	71100HF0	50	32
KE KELIT	Circular Reducer	KMU410 Coupling reduced	71100HG0	50	40
KE KELIT	Circular Reducer	KMU410 Coupling reduced	71100IG0	63	40
KE KELIT	Circular Reducer	KMU410 Coupling reduced	71100IH0	63	50
KE KELIT	Circular Reducer	KMU410 Coupling reduced	71100JG0	75	40
KE KELIT	Circular Reducer	KMU410 Coupling reduced	71100JI0	75	63

- Tee

M_Tee_Circular_MEPcontent_KE KELIT KELOX PROTEC_3S.rfa



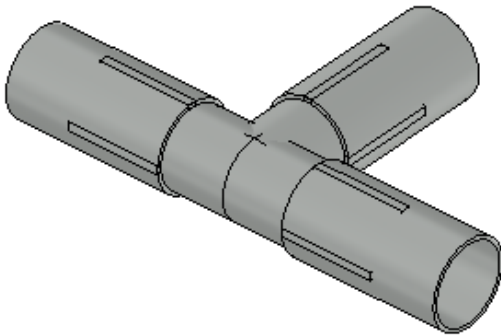
Manufacturer	Article Description	Article Type	Manufacturer Art. No.	Diameter 1	Diameter 2	Diameter 3
KE KELIT	Circular Tee	KMP440 T-piece	73110BBB	16	16	16
KE KELIT	Circular Tee	KMP440 T-piece	73110BDB	16	16	20
KE KELIT	Circular Tee	KMP440 T-piece	73110DBB	20	16	16
KE KELIT	Circular Tee	KMP440 T-piece	73110DBD	20	20	16
KE KELIT	Circular Tee	KMP440 T-piece	73110DDB	20	16	20
KE KELIT	Circular Tee	KMP440 T-piece	73110DDD	20	20	20
KE KELIT	Circular Tee	KMP440 T-piece	73110EBB	25	16	16
KE KELIT	Circular Tee	KMP440 T-piece	73110EBD	25	20	16

Manufacturer	Article Description	Article Type	Manufacturer Art. No.	Diameter 1	Diameter 2	Diameter 3
KE KELIT	Circular Tee	KMP440 T-piece	73110EBE	25	25	16
KE KELIT	Circular Tee	KMP440 T-piece	73110EDD	25	20	20
KE KELIT	Circular Tee	KMP440 T-piece	73110EDE	25	25	20
KE KELIT	Circular Tee	KMP440 T-piece	73110EEE	25	25	25
KE KELIT	Circular Tee	KMP440 T-piece	73110FBF	32	32	16
KE KELIT	Circular Tee	KMP440 T-piece	73110FDF	32	32	20
KE KELIT	Circular Tee	KMP440 T-piece	73110FEE	32	25	25
KE KELIT	Circular Tee	KMP440 T-piece	73110FEF	32	32	25
KE KELIT	Circular Tee	KMP440 T-piece	73110FFF	32	32	32
KE KELIT	Circular Tee	KMU440 T-piece	71110GDG	40	40	20
KE KELIT	Circular Tee	KMU440 T-piece	71110GEG	40	40	25
KE KELIT	Circular Tee	KMU440 T-piece	71110GFF	40	32	32

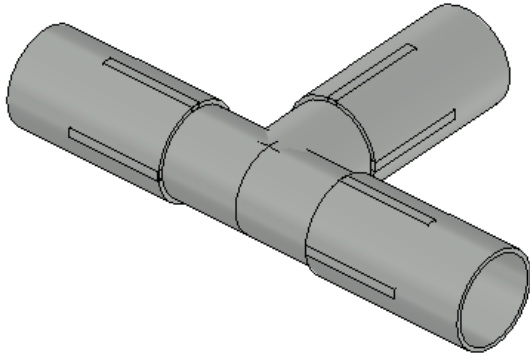
Manufacturer	Article Description	Article Type	Manufacturer Art. No.	Diameter 1	Diameter 2	Diameter 3
KE KELIT	Circular Tee	KMU440 T-piece	71110GFG	40	40	32
KE KELIT	Circular Tee	KMU440 T-piece	71110GGG	40	40	40
KE KELIT	Circular Tee	KMU440 T-piece	71110HEH	50	50	25
KE KELIT	Circular Tee	KMU440 T-piece	71110HFH	50	50	32
KE KELIT	Circular Tee	KMU440 T-piece	71110HGH	50	50	40
KE KELIT	Circular Tee	KMU440 T-piece	71110HHH	50	50	50
KE KELIT	Circular Tee	KMU440 T-piece	71110IEI	63	63	25
KE KELIT	Circular Tee	KMU440 T-piece	71110IFI	63	63	32
KE KELIT	Circular Tee	KMU440 T-piece	71110IGI	63	63	40
KE KELIT	Circular Tee	KMU440 T-piece	71110IHI	63	63	50
KE KELIT	Circular Tee	KMU440 T-piece	71110III	63	63	63
KE KELIT	Circular Tee	KMU440 T-piece	71110JGJ	75	75	40

Manufacturer	Article Description	Article Type	Manufacturer Art. No.	Diameter 1	Diameter 2	Diameter 3
KE KELIT	Circular Tee	KMU440 T-piece	71110JHJ	75	75	50
KE KELIT	Circular Tee	KMU440 T-piece	71110JJJ	75	75	75

M_Tee_Circular_MEPcontent_KE KELIT KELOX PROTEC_KMP440Z.rfa



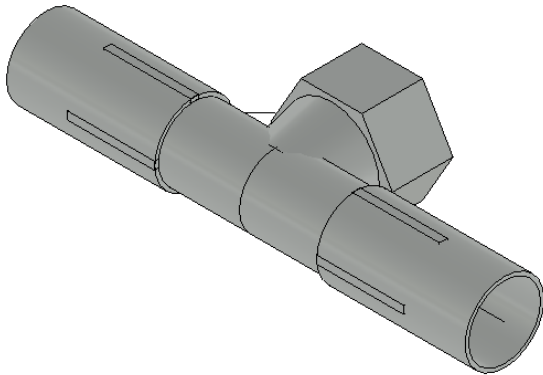
Manufacturer	Article Description	Article Type	Manufacturer Art. No.	Diameter 1	Diameter 2	Diameter 3
KE KELIT	Circular Tee	KMP440Z Zeta T-piece	73111BBB	16	16	16
KE KELIT	Circular Tee	KMP440Z Zeta T-piece	73111DDD	20	20	20
KE KELIT	Circular Tee	KMP440Z Zeta T-piece	73111EEE	25	25	25



Manufacturer	Article Description	Article Type	Manufacturer Art. No.	Diameter 1	Diameter 2	Diameter 3
KE KELIT	Circular Tee	KWP440 T-piece	73610BBB	16	16	16
KE KELIT	Circular Tee	KWP440 T-piece	73610DBB	20	16	16
KE KELIT	Circular Tee	KWP440 T-piece	73610DBD	20	20	16
KE KELIT	Circular Tee	KWP440 T-piece	73610DDB	20	16	20
KE KELIT	Circular Tee	KWP440 T-piece	73610DDD	20	20	20
KE KELIT	Circular Tee	KWP440 T-piece	73610EBE	25	25	16
KE KELIT	Circular Tee	KWP440 T-piece	73610EDD	25	20	20
KE KELIT	Circular Tee	KWP440 T-piece	73610EDE	25	25	20

Manufacturer	Article Description	Article Type	Manufacturer Art. No.	Diameter 1	Diameter 2	Diameter 3
KE KELIT	Circular Tee	KWP440 T-piece	73610EEE	25	25	25

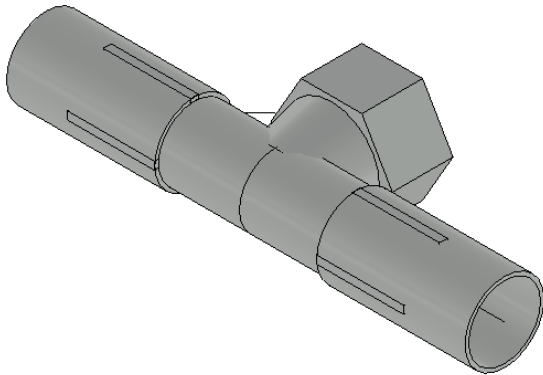
M_Tee_Circular_MEPcontent_KE KELIT KELOX PROTEC_KMP447.rfa



Manufacturer	Article Description	Article Type	Manufacturer Art. No.	Diameter 1	Diameter 2	Diameter 3
KE KELIT	Circular Tee	KMP447 Adaptor T-piece with F thr.	73240B02	16	16	1/2"
KE KELIT	Circular Tee	KMP447 Adaptor T-piece with F thr.	73240D02	20	20	1/2"
KE KELIT	Circular Tee	KMP447 Adaptor T-piece with F thr.	73240E02	25	25	1/2"
KE KELIT	Circular Tee	KMP447 Adaptor T-piece with F thr.	73240E04	25	25	3/4"
KE KELIT	Circular Tee	KMP447 Adaptor T-piece with F thr.	73240F02	32	32	1/2"

Manufacturer	Article Description	Article Type	Manufacturer Art. No.	Diameter 1	Diameter 2	Diameter 3
KE KELIT	Circular Tee	KMP447 Adaptor T-piece with F thr.	73240F04	32	32	3/4"

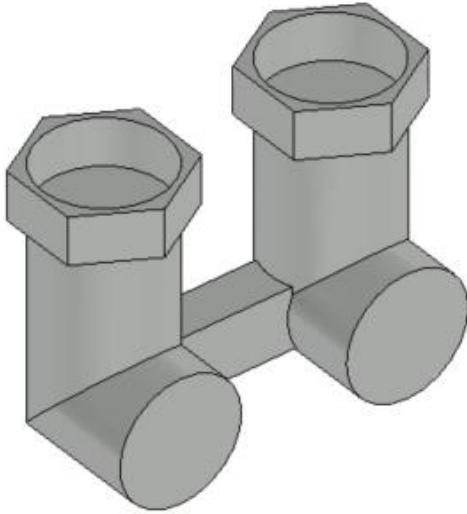
M_Tee_Circular_MEPcontent_KE KELIT KELOX PROTEC_KMU447.rfa



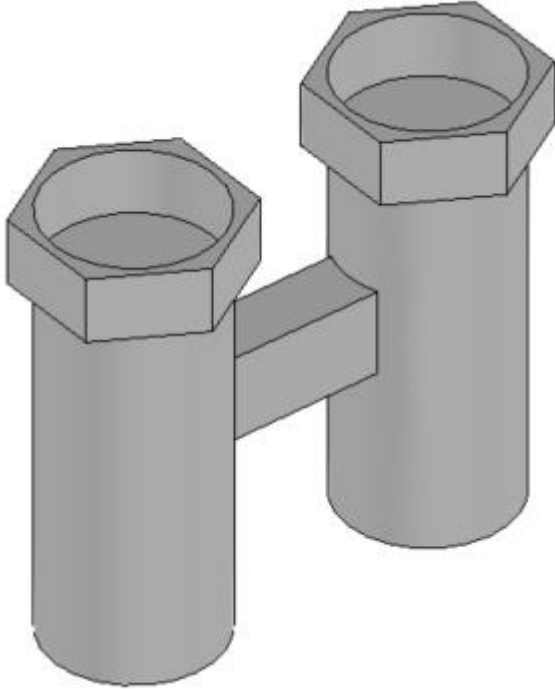
Manufacturer	Article Description	Article Type	Manufacturer Art. No.	Diameter 1	Diameter 2	Diameter 3
KE KELIT	Circular Tee	KMU447 Adaptor T-piece with F thr.	71240G04	40	40	3/4"
KE KELIT	Circular Tee	KMU447 Adaptor T-piece with F thr.	71240G05	40	40	1"
KE KELIT	Circular Tee	KMU447 Adaptor T-piece with F thr.	71240H05	50	50	1"
KE KELIT	Circular Tee	KMU447 Adaptor T-piece with F thr.	71240I05	63	63	1"

- **Connection block**

HC_Connection Block_H Block Backwards_MEPcontent_KE KELIT KELOX PROTEC_KM595Z.rfa



Manufacturer	Article Description	Article Type	Manufacturer Art. No.	Diameter 1	Diameter 2	Diameter 3	Diameter 4
KE KELIT	Connection Block H Block Backwards	KM595Z Radiator H-block straight-way	9005110	3/4"	3/4"	3/4"	3/4"



Manufacturer	Article Description	Article Type	Manufacturer Art. No.	Diameter 1	Diameter 2	Diameter 3	Diameter 4
KE KELIT	Connection Block H Block Downwards	KM595Z Radiator H-block corner	9005105	3/4"	3/4"	3/4"	3/4"