

MEPcontent

KE KELIT STEELFIX StainlessSteel

| | |
|---|-----------|
| Modeling with KE KELIT STEELFIX STAINLESSSTEEL | 2 |
| Installation | 2 |
| Draw | 3 |
| Routing Preferences | 4 |
| 1. Transition bends | 5 |
| 2. Tags | 5 |
| Schedules | 6 |
| Table of components | 7 |
| • Bend | 7 |
| • Connection | 16 |
| • Coupling | 29 |
| • End Piece | 32 |
| • Flange | 33 |
| • Reducer | 35 |
| • Tee | 38 |
| • Valves | 46 |

Modeling with KE KELIT STEELFIX STAINLESSSTEEL

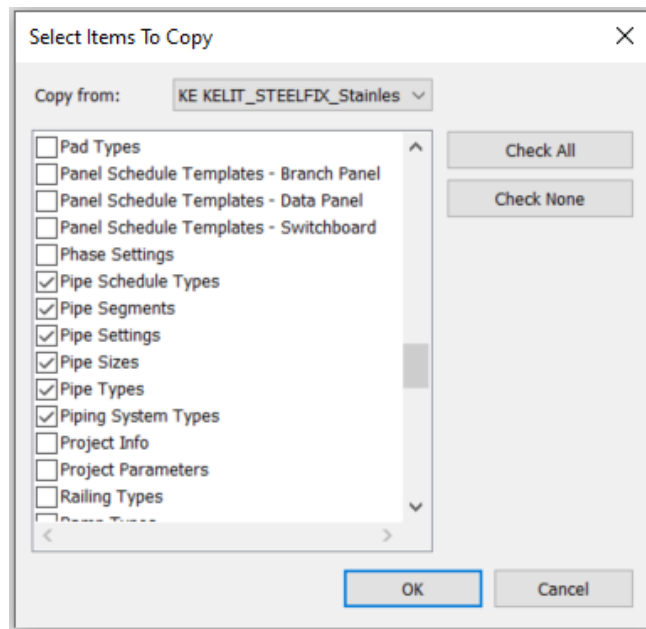
This manual describes how you can model with the product line of KE KELIT STEELFIX STAINLESSSTEEL in Revit 2021, 2022, 2023 or 2024. While drawing, the correct fittings (bends and connectors) are automatically inserted. In the template you can also find special fittings and equipment that you can place separately.

Installation

To draw with the product line of KE KELIT STEELFIX STAINLESSSTEEL, open the file *KE KELIT_STEELFIX_STAINLESSSTEEL_Template_INT-EN.rvt*. This Revit template contains the product line and a number of predefined schedules.

If you want to draw in an existing project, you can copy the product line using *Transfer Project Standards* in Revit. That is done in the following way:

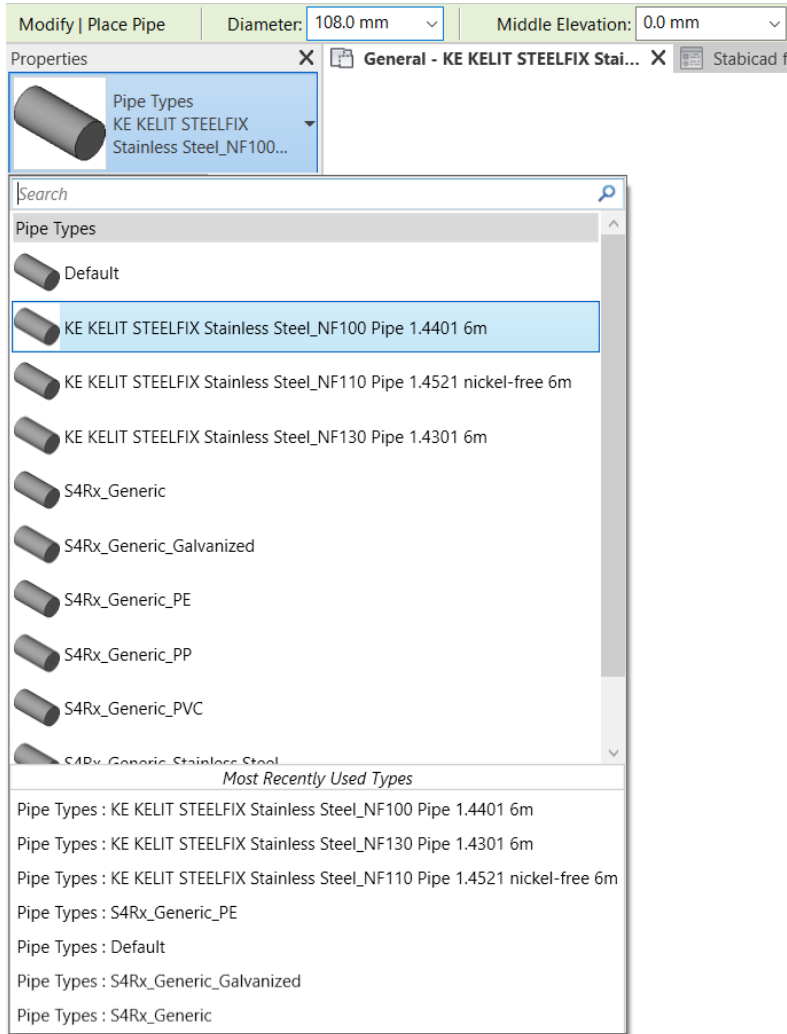
1. Open the existing project and the KE KELIT STEELFIX STAINLESSSTEEL template.
2. Activate the existing project.
3. On the tab *Manage*, panel *Settings*, select *Transfer Project Standards*.
4. At *Copy from*: select the template file, check the items as in the image below and click OK.



5. The product line is transferred from the template to the existing project.

Draw

When the product line is in the project, you can draw a pipe system the way you are used to via *Systems > Pipe*. In *Properties*, select the product line and dimensions.

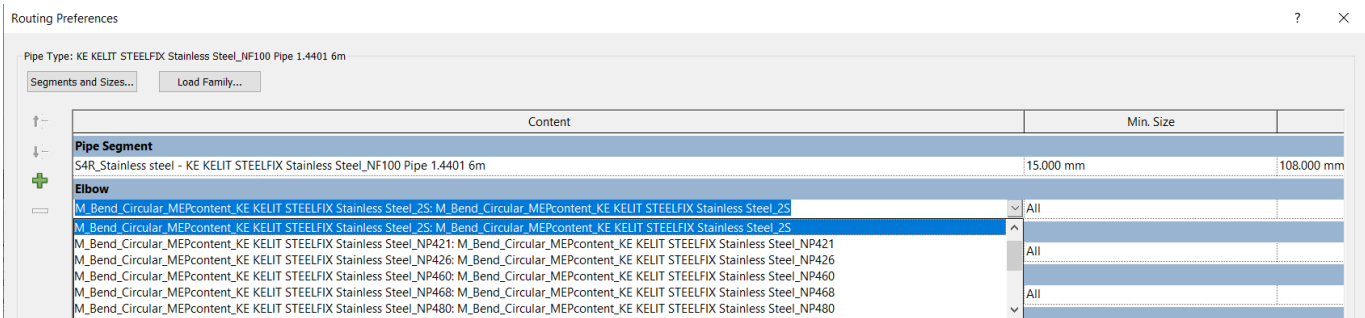
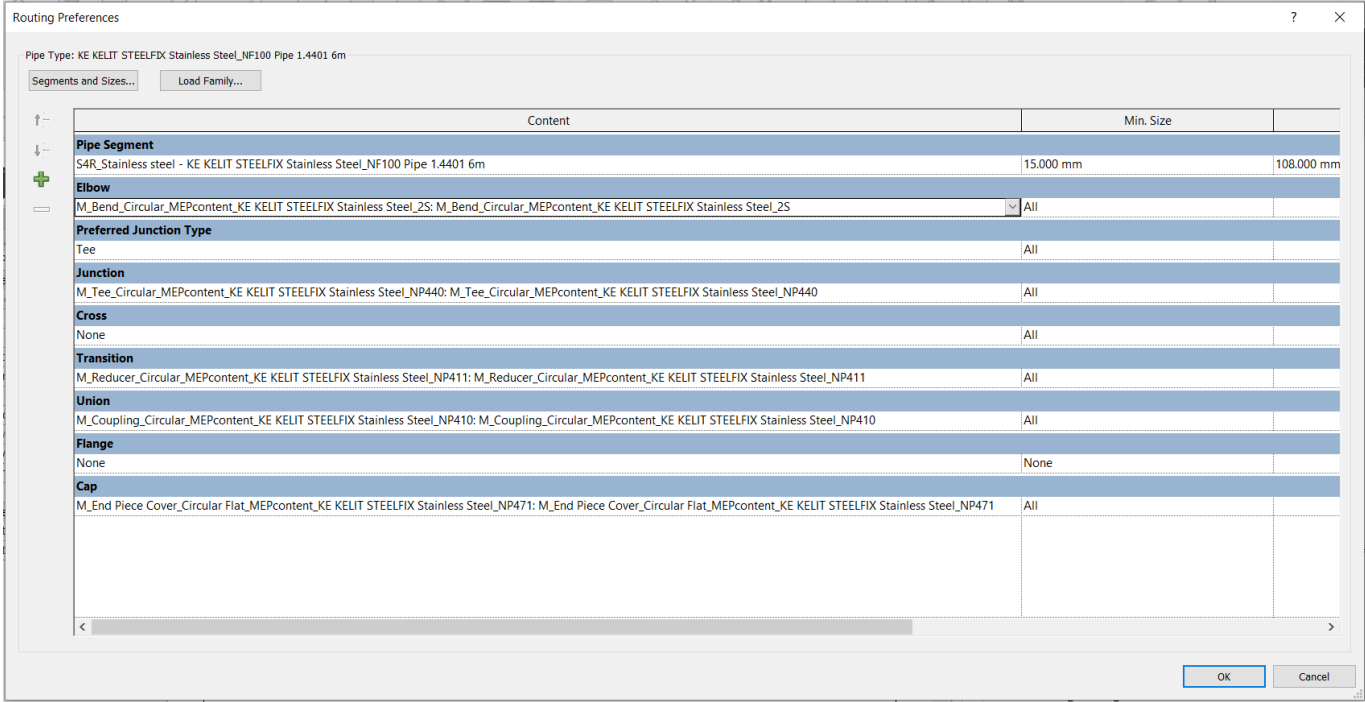


Next, model the system. KE KELIT STEELFIX STAINLESSSTEEL fittings with the correct article number are automatically added while drawing. Changing the pipes can be done the way you are used to in Revit: select the pipes and change the dimensions. The fittings are automatically adjusted.

For circular pipes a 90° and 45° bends are available in autorouting. If the system is drawn at different angles a custom bend will be generated. As these bends do not really exist, they are marked red in the model.

Routing Preferences

For Routing Preferences, all compatible fittings for the specific pipe are added and can be selected by the user preference in the drop-down menu, considering the available sizes of specific fitting.



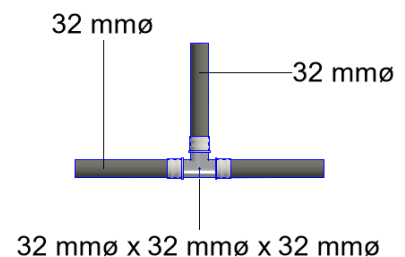
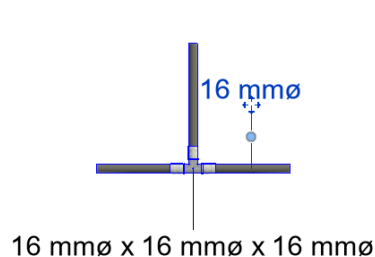
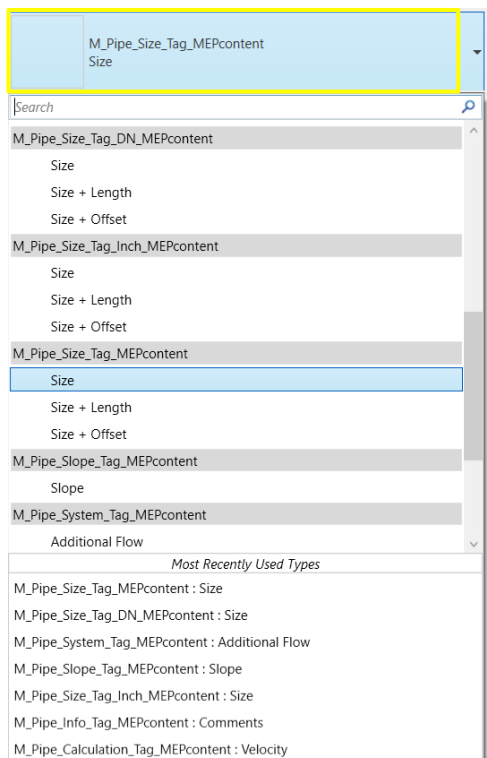
1. Transition bends

The transition bends (mm to inch) are found under “NP460”, “NP468”, “NP480” and “2S” families. These bends work with Steel pipe which is added in the template.

- + M_Bend_Circular_MEPcontent_KE KELIT STEELFIX Stainless Steel **_2S**
- + M_Bend_Circular_MEPcontent_KE KELIT STEELFIX Stainless Steel_NP421
- + M_Bend_Circular_MEPcontent_KE KELIT STEELFIX Stainless Steel_NP426
- + M_Bend_Circular_MEPcontent_KE KELIT STEELFIX Stainless Steel_NP460
- + M_Bend_Circular_MEPcontent_KE KELIT STEELFIX Stainless Steel_NP468
- + M_Bend_Circular_MEPcontent_KE KELIT STEELFIX Stainless Steel_NP480

2. Tags

The tag families for pipes are added, by pressing Tag by Category (TG) button and select the tag, for example size tag.



Schedules

The template contains three schedules for bills of materials for the accessories, fittings and pipes:

- PI_General_BOM_Pipe Accessories
- PI_General_BOM_Pipe Fittings
- PI_General_BOM_Pipes

| <PI_General_BOM_Pipe Fittings> | | | | | | | | | | | | | | |
|--------------------------------|-----------------------------------|---------------------------|--------------------------------|-----------------------|---------------|--------------------|--------------------|--------------------|----|----|----|--|-------|--------|
| A | B | C | D | E | F | G | H | I | J | K | L | M | N | O |
| Manufacturer | Product Line | Article Description | Article Type | Manufacturer Art. No. | GTIN | Nominal Diameter 1 | Nominal Diameter 2 | Nominal Diameter 3 | L1 | L2 | L3 | Manufacturer URL | Count | Custom |
| KE KELIT | KE KELIT STEELFIX Stainless Steel | Circular Connection Piece | NF457 Adaptor push-F thr | 53206B02 | | 15 | 13 | | 3 | 0 | | https://www.kekelit.com/en_int/brands/ | 1 | No |
| KE KELIT | KE KELIT STEELFIX Stainless Steel | Circular Connection Piece | NF457 Adaptor push-F thr | 53206C02 | | 18 | 13 | | 3 | 0 | | https://www.kekelit.com/en_int/brands/ | 1 | No |
| KE KELIT | KE KELIT STEELFIX Stainless Steel | Circular Connection Piece | NF457 Adaptor push-F thr | 53206D02 | | 22 | 13 | | 3 | 0 | | https://www.kekelit.com/en_int/brands/ | 1 | No |
| KE KELIT | KE KELIT STEELFIX Stainless Steel | Circular Connection Piece | NF457 Adaptor push-F thr | 53206E04 | | 28 | 19 | | 4 | 0 | | https://www.kekelit.com/en_int/brands/ | 1 | No |
| KE KELIT | KE KELIT STEELFIX Stainless Steel | Circular Connection Piece | KMJ489 ULTRAX-STEELFIX Adaptor | 53272BB0 | 9008795079059 | 16 | 15 | | 0 | 33 | | https://www.kekelit.com/en_int/brands/ | 1 | No |
| KE KELIT | KE KELIT STEELFIX Stainless Steel | Circular Connection Piece | KMJ489 ULTRAX-STEELFIX Adaptor | 53272CD0 | 9008795079060 | 20 | 18 | | 0 | 30 | | https://www.kekelit.com/en_int/brands/ | 1 | No |
| KE KELIT | KE KELIT STEELFIX Stainless Steel | Circular Connection Piece | KMJ489 ULTRAX-STEELFIX Adaptor | 53272DD0 | 9008795196183 | 20 | 22 | | 0 | 32 | | https://www.kekelit.com/en_int/brands/ | 1 | No |
| KE KELIT | KE KELIT STEELFIX Stainless Steel | Circular Connection Piece | KMJ489 ULTRAX-STEELFIX Adaptor | 53272DE0 | 9008795079110 | 25 | 22 | | 0 | 32 | | https://www.kekelit.com/en_int/brands/ | 1 | No |
| KE KELIT | KE KELIT STEELFIX Stainless Steel | Circular Connection Piece | KMJ489 ULTRAX-STEELFIX Adaptor | 53272FE0 | 9008795079141 | 32 | 28 | | 0 | 34 | | https://www.kekelit.com/en_int/brands/ | 1 | No |
| KE KELIT | KE KELIT STEELFIX Stainless Steel | Circular Connection Piece | KMJ489 ULTRAX-STEELFIX Adaptor | 53272FF0 | 9008795079172 | 40 | 35 | | 0 | 44 | | https://www.kekelit.com/en_int/brands/ | 1 | No |
| KE KELIT | KE KELIT STEELFIX Stainless Steel | Circular Coupling | NP410 Coupling | 53600BB0 | | 15 | 15 | | 5 | 5 | | https://www.kekelit.com/en_int/brands/ | 1 | No |
| KE KELIT | KE KELIT STEELFIX Stainless Steel | Circular Coupling | NP410 Coupling | 53600CC0 | | 18 | 18 | | 5 | 5 | | https://www.kekelit.com/en_int/brands/ | 1 | No |
| KE KELIT | KE KELIT STEELFIX Stainless Steel | Circular Coupling | NP410 Coupling | 53600DD0 | | 22 | 22 | | 5 | 5 | | https://www.kekelit.com/en_int/brands/ | 1 | No |
| KE KELIT | KE KELIT STEELFIX Stainless Steel | Circular Coupling | NP410 Coupling | 53600EE0 | | 28 | 28 | | 5 | 5 | | https://www.kekelit.com/en_int/brands/ | 1 | No |
| KE KELIT | KE KELIT STEELFIX Stainless Steel | Circular Coupling | NP410 Coupling | 53600FF0 | | 35 | 35 | | 5 | 5 | | https://www.kekelit.com/en_int/brands/ | 1 | No |
| KE KELIT | KE KELIT STEELFIX Stainless Steel | Circular Coupling | NP410 Coupling | 53600GG0 | | 42 | 42 | | 6 | 6 | | https://www.kekelit.com/en_int/brands/ | 1 | No |
| KE KELIT | KE KELIT STEELFIX Stainless Steel | Circular Coupling | NP410 Coupling | 53600HH0 | | 54 | 54 | | 6 | 6 | | https://www.kekelit.com/en_int/brands/ | 1 | No |
| KE KELIT | KE KELIT STEELFIX Stainless Steel | Circular Coupling | NP410 Coupling | 53600JJ0 | | 76 | 76 | | 15 | 16 | | https://www.kekelit.com/en_int/brands/ | 1 | No |
| KE KELIT | KE KELIT STEELFIX Stainless Steel | Circular Coupling | NP410 Coupling | 53600KK0 | | 89 | 89 | | 19 | 19 | | https://www.kekelit.com/en_int/brands/ | 1 | No |
| KE KELIT | KE KELIT STEELFIX Stainless Steel | Circular Coupling | NP410 Coupling | 53600LL0 | | 108 | 108 | | 19 | 19 | | https://www.kekelit.com/en_int/brands/ | 1 | No |
| KE KELIT | KE KELIT STEELFIX Stainless Steel | Circular Reducer | NP411 Reducing nipple | 53601CB0 | | 18 | 15 | | 20 | 15 | 7 | https://www.kekelit.com/en_int/brands/ | 1 | No |
| KE KELIT | KE KELIT STEELFIX Stainless Steel | Circular Reducer | NP411 Reducing nipple | 53601DB0 | | 22 | 15 | | 21 | 20 | 8 | https://www.kekelit.com/en_int/brands/ | 1 | No |
| KE KELIT | KE KELIT STEELFIX Stainless Steel | Circular Reducer | NP411 Reducing nipple | 53601EC0 | | 22 | 18 | | 21 | 17 | 8 | https://www.kekelit.com/en_int/brands/ | 1 | No |
| KE KELIT | KE KELIT STEELFIX Stainless Steel | Circular Reducer | NP411 Reducing nipple | 53601ED0 | | 28 | 15 | | 23 | 25 | 8 | https://www.kekelit.com/en_int/brands/ | 1 | No |
| KE KELIT | KE KELIT STEELFIX Stainless Steel | Circular Reducer | NP411 Reducing nipple | 53601EE0 | | 28 | 18 | | 23 | 19 | 8 | https://www.kekelit.com/en_int/brands/ | 1 | No |
| KE KELIT | KE KELIT STEELFIX Stainless Steel | Circular Reducer | NP411 Reducing nipple | 53601FE0 | | 28 | 22 | | 23 | 23 | 12 | https://www.kekelit.com/en_int/brands/ | 1 | No |
| KE KELIT | KE KELIT STEELFIX Stainless Steel | Circular Reducer | NP411 Reducing nipple | 53601FD0 | | 35 | 18 | | 26 | 32 | 12 | https://www.kekelit.com/en_int/brands/ | 1 | No |
| KE KELIT | KE KELIT STEELFIX Stainless Steel | Circular Reducer | NP411 Reducing nipple | 53601FE0 | | 35 | 28 | | 26 | 20 | 8 | https://www.kekelit.com/en_int/brands/ | 1 | No |

| <PI_General_BOM_Pipe Accessories> | | | | | | | | | | | | | | |
|-----------------------------------|-----------------------------------|---------------------|----------------------------------|-----------------------|------|--------------------|--------------------|----|-----|------------------|-------|--|--|-------|
| A | B | C | D | E | F | G | H | I | J | K | L | | | L |
| Manufacturer | Product Line | Article Description | Article Type | Manufacturer Art. No. | GTIN | Nominal Diameter 1 | Nominal Diameter 2 | L1 | L2 | Manufacturer URL | Count | | | Count |
| KE KELIT | KE KELIT STEELFIX Stainless Steel | Ball Valve | Ball valve | 53728BB0 | | 15 | 15 | | 27 | 27 | | https://www.kekelit.com/en_int/brands/ | | 1 |
| KE KELIT | KE KELIT STEELFIX Stainless Steel | Ball Valve | Ball valve | 53728CC0 | | 18 | 18 | | 32 | 32 | | https://www.kekelit.com/en_int/brands/ | | 1 |
| KE KELIT | KE KELIT STEELFIX Stainless Steel | Ball Valve | Ball valve | 53728DD0 | | 22 | 22 | | 40 | 40 | | https://www.kekelit.com/en_int/brands/ | | 1 |
| KE KELIT | KE KELIT STEELFIX Stainless Steel | Ball Valve | Ball valve | 53728EE0 | | 28 | 28 | | 45 | 45 | | https://www.kekelit.com/en_int/brands/ | | 1 |
| KE KELIT | KE KELIT STEELFIX Stainless Steel | Ball Valve | Ball valve | 53728FF0 | | 35 | 35 | | 55 | 55 | | https://www.kekelit.com/en_int/brands/ | | 1 |
| KE KELIT | KE KELIT STEELFIX Stainless Steel | Ball Valve | Ball valve | 53728GG0 | | 42 | 42 | | 69 | 69 | | https://www.kekelit.com/en_int/brands/ | | 1 |
| KE KELIT | KE KELIT STEELFIX Stainless Steel | Ball Valve | Ball valve | 53728HH0 | | 54 | 54 | | 79 | 79 | | https://www.kekelit.com/en_int/brands/ | | 1 |
| KE KELIT | KE KELIT STEELFIX Stainless Steel | Ball Valve | Ball valve with extended spindle | 53729BB0 | | 15 | 15 | | 27 | 27 | | https://www.kekelit.com/en_int/brands/ | | 1 |
| KE KELIT | KE KELIT STEELFIX Stainless Steel | Ball Valve | Ball valve with extended spindle | 53729CC0 | | 18 | 18 | | 32 | 32 | | https://www.kekelit.com/en_int/brands/ | | 1 |
| KE KELIT | KE KELIT STEELFIX Stainless Steel | Ball Valve | Ball valve with extended spindle | 53729DD0 | | 22 | 22 | | 40 | 40 | | https://www.kekelit.com/en_int/brands/ | | 1 |
| KE KELIT | KE KELIT STEELFIX Stainless Steel | Ball Valve | Ball valve with extended spindle | 53729EE0 | | 28 | 28 | | 45 | 45 | | https://www.kekelit.com/en_int/brands/ | | 1 |
| KE KELIT | KE KELIT STEELFIX Stainless Steel | Ball Valve | Ball valve with extended spindle | 53729FF0 | | 35 | 35 | | 55 | 55 | | https://www.kekelit.com/en_int/brands/ | | 1 |
| KE KELIT | KE KELIT STEELFIX Stainless Steel | Ball Valve | Ball valve with extended spindle | 53729GG0 | | 42 | 42 | | 69 | 69 | | https://www.kekelit.com/en_int/brands/ | | 1 |
| KE KELIT | KE KELIT STEELFIX Stainless Steel | Ball Valve | Ball valve with extended spindle | 53729HH0 | | 54 | 54 | | 79 | 79 | | https://www.kekelit.com/en_int/brands/ | | 1 |
| KE KELIT | KE KELIT STEELFIX Stainless Steel | Compensator Rigid | NP478 Expansion joint | 53754CC0 | | 18 | 18 | | 33 | 33 | | https://www.kekelit.com/en_int/brands/ | | 1 |
| KE KELIT | KE KELIT STEELFIX Stainless Steel | Compensator Rigid | NP478 Expansion joint | 53754DD0 | | 22 | 22 | | 39 | 39 | | https://www.kekelit.com/en_int/brands/ | | 1 |
| KE KELIT | KE KELIT STEELFIX Stainless Steel | Compensator Rigid | NP478 Expansion joint | 53754EE0 | | 28 | 28 | | 42 | 42 | | https://www.kekelit.com/en_int/brands/ | | 1 |
| KE KELIT | KE KELIT STEELFIX Stainless Steel | Compensator Rigid | NP478 Expansion joint | 53754FF0 | | 35 | 35 | | 44 | 44 | | https://www.kekelit.com/en_int/brands/ | | 1 |
| KE KELIT | KE KELIT STEELFIX Stainless Steel | Compensator Rigid | NP478 Expansion joint | 53754GG0 | | 42 | 42 | | 47 | 47 | | https://www.kekelit.com/en_int/brands/ | | 1 |
| KE KELIT | KE KELIT STEELFIX Stainless Steel | Compensator Rigid | NP478 Expansion joint | 53754HH0 | | 54 | 54 | | 55 | 55 | | https://www.kekelit.com/en_int/brands/ | | 1 |
| KE KELIT | KE KELIT STEELFIX Stainless Steel | Compensator Rigid | NP479 Expansion joint | 53754JJ0 | | 76 | 76 | | 138 | 138 | | https://www.kekelit.com/en_int/brands/ | | 1 |
| KE KELIT | KE KELIT STEELFIX Stainless Steel | Compensator Rigid | NP479 Expansion joint | 53754KK0 | | 89 | 89 | | 145 | 145 | | https://www.kekelit.com/en_int/brands/ | | 1 |
| KE KELIT | KE KELIT STEELFIX Stainless Steel | Compensator Rigid | NP479 Expansion joint | 53754LL0 | | 108 | 108 | | 173 | 130 | | https://www.kekelit.com/en_int/brands/ | | 1 |

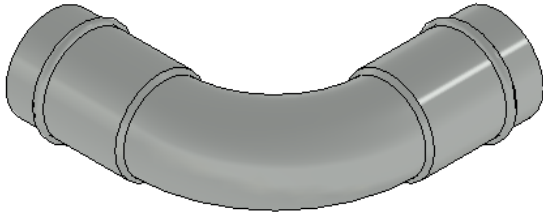
| <PI_General_BOM_Pipes> | | | | | | | | | | |
|------------------------|-----------------------------------|----------------------------------|-----------------------|------|--------|----------|--------|--|------|--|
| A | B | C | D | E | F | G | H | I | J | |
| Manufacturer | Product Line | Article Type | Manufacturer Art. No. | GTIN | Length | Diameter | Size | Manufacturer URL | Cost | |
| KE KELIT | KE KELIT STEELFIX Stainless Steel | NF100 Pipe 1.4401 6m | 53001E00 | | 4.80 m | 28.0 mm | 28 mma | https://www.kekelit.com/en_int/brands/ | | |
| KE KELIT | KE KELIT STEELFIX Stainless Steel | NF110 Pipe 1.4521 nickel-free 6m | 53011E00 | | 2.40 m | 28.0 mm | 28 mma | https://www.kekelit.com/en_int/brands/ | | |
| KE KELIT | KE KELIT STEELFIX Stainless Steel | NF130 Pipe 1.4301 6m | 53031E00 | | 2.40 m | 28.0 mm | 28 mma | https://www.kekelit.com/en_int/brands/ | | |
| | | | | | 9.60 m | | | | | |



Table of components

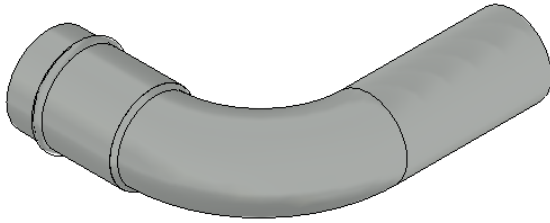
- Bend

M_Bend_Circular_MEPcontent_KE KELIT STEELFIX Stainless Steel_2S.rfa



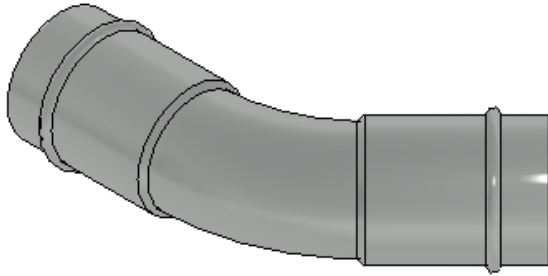
| Manufacturer | Article Description | Article Type | Manufacturer Art. No. | Diameter 1 | Diameter 2 |
|--------------|---------------------|-----------------|-----------------------|------------|------------|
| KE KELIT | Circular Bend | NP420 Elbow 90° | 53615BB0 | 15 | 15 |
| KE KELIT | Circular Bend | NP420 Elbow 90° | 53615CC0 | 18 | 18 |
| KE KELIT | Circular Bend | NP420 Elbow 90° | 53615DD0 | 22 | 22 |
| KE KELIT | Circular Bend | NP420 Elbow 90° | 53615EE0 | 28 | 28 |
| KE KELIT | Circular Bend | NP420 Elbow 90° | 53615FF0 | 35 | 35 |
| KE KELIT | Circular Bend | NP420 Elbow 90° | 53615GG0 | 42 | 42 |
| KE KELIT | Circular Bend | NP420 Elbow 90° | 53615HH0 | 54 | 54 |
| KE KELIT | Circular Bend | NP420 Elbow 90° | 53615JJ0 | 76.1 | 76.1 |
| KE KELIT | Circular Bend | NP420 Elbow 90° | 53615KK0 | 88.9 | 88.9 |
| KE KELIT | Circular Bend | NP420 Elbow 90° | 53615LL0 | 108 | 108 |

M_Bend_Circular_MEPcontent_KE KELIT STEELFIX Stainless Steel_NP421.rfa



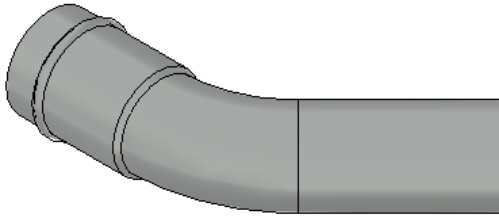
| Manufacturer | Article Description | Article Type | Manufacturer Art. No. | Diameter 1 | Diameter 2 |
|--------------|---------------------|------------------------|-----------------------|------------|------------|
| KE KELIT | Circular Bend | NP421 Elbow 90° M/F | 53616BB0 | 15 | 15 |
| KE KELIT | Circular Bend | NP421 Elbow 90° M/F | 53616CC0 | 18 | 18 |
| KE KELIT | Circular Bend | NP421 Elbow 90° M/F | 53616DD0 | 22 | 22 |
| KE KELIT | Circular Bend | NP421 Elbow 90° M/F | 53616EE0 | 28 | 28 |
| KE KELIT | Circular Bend | NP421 Elbow 90° M/F | 53616FF0 | 35 | 35 |
| KE KELIT | Circular Bend | NP421 Elbow 90° M/F | 53616GG0 | 42 | 42 |
| KE KELIT | Circular Bend | NP421 Elbow 90° M/F | 53616HH0 | 54 | 54 |
| KE KELIT | Circular Bend | NP421 Elbow 90° M/F | 53616JJ0 | 76.1 | 76.1 |
| KE KELIT | Circular Bend | NP421 Elbow 90° M/F | 53616KK0 | 88.9 | 88.9 |
| KE KELIT | Circular Bend | NP421 Elbow 90° M/F | 53616LL0 | 108 | 108 |

M_Bend_Circular_MEPcontent_KE KELIT STEELFIX Stainless Steel_2S.rfa

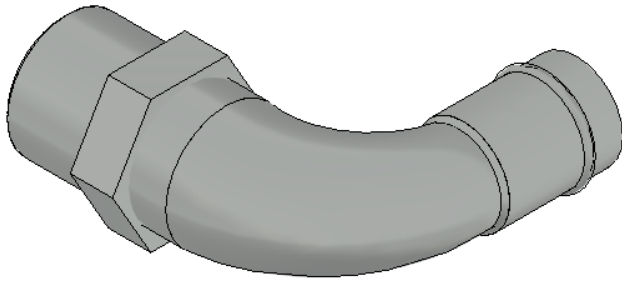


| Manufacturer | Article Description | Article Type | Manufacturer Art. No. | Diameter 1 | Diameter 2 |
|--------------|---------------------|-----------------|-----------------------|------------|------------|
| KE KELIT | Circular Bend | NP425 Elbow 45° | 53620BB0 | 15 | 15 |
| KE KELIT | Circular Bend | NP425 Elbow 45° | 53620CC0 | 18 | 18 |
| KE KELIT | Circular Bend | NP425 Elbow 45° | 53620DD0 | 22 | 22 |
| KE KELIT | Circular Bend | NP425 Elbow 45° | 53620EE0 | 28 | 28 |
| KE KELIT | Circular Bend | NP425 Elbow 45° | 53620FF0 | 35 | 35 |
| KE KELIT | Circular Bend | NP425 Elbow 45° | 53620GG0 | 42 | 42 |
| KE KELIT | Circular Bend | NP425 Elbow 45° | 53620HH0 | 54 | 54 |
| KE KELIT | Circular Bend | NP425 Elbow 45° | 53620JJ0 | 76.1 | 76.1 |
| KE KELIT | Circular Bend | NP425 Elbow 45° | 53620KK0 | 88.9 | 88.9 |
| KE KELIT | Circular Bend | NP425 Elbow 45° | 53620LL0 | 108 | 108 |

M_Bend_Circular_MEPcontent_KE KELIT STEELFIX Stainless Steel_NP426.rfa

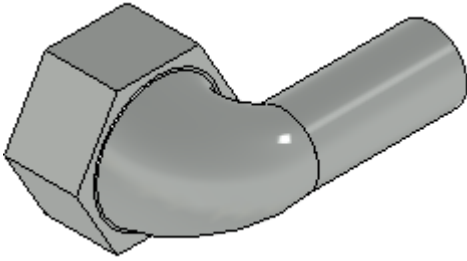


| Manufacturer | Article Description | Article Type | Manufacturer Art. No. | Diameter 1 | Diameter 2 |
|--------------|---------------------|------------------------|-----------------------|------------|------------|
| KE KELIT | Circular Bend | NP426 Elbow 45° M/F | 53621BB0 | 15 | 15 |
| KE KELIT | Circular Bend | NP426 Elbow 45° M/F | 53621CC0 | 18 | 18 |
| KE KELIT | Circular Bend | NP426 Elbow 45° M/F | 53621DD0 | 22 | 22 |
| KE KELIT | Circular Bend | NP426 Elbow 45° M/F | 53621EE0 | 28 | 28 |
| KE KELIT | Circular Bend | NP426 Elbow 45° M/F | 53621FF0 | 35 | 35 |
| KE KELIT | Circular Bend | NP426 Elbow 45° M/F | 53621GG0 | 42 | 42 |
| KE KELIT | Circular Bend | NP426 Elbow 45° M/F | 53621HH0 | 54 | 54 |
| KE KELIT | Circular Bend | NP426 Elbow 45° M/F | 53621JJ0 | 76.1 | 76.1 |
| KE KELIT | Circular Bend | NP426 Elbow 45° M/F | 53621KK0 | 88.9 | 88.9 |
| KE KELIT | Circular Bend | NP426 Elbow 45° M/F | 53621LL0 | 108 | 108 |

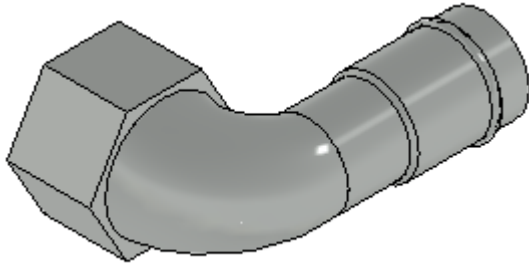


| Manufacturer | Article Description | Article Type | Manufacturer Art. No. | Diameter 1 | Diameter 2 |
|--------------|---------------------|-------------------------------------|-----------------------|------------|------------|
| KE KELIT | Circular Bend | NP460 Elbow adaptor 90° with M thr. | 53712B02 | 3/4" | 15 |
| KE KELIT | Circular Bend | NP460 Elbow adaptor 90° with M thr. | 53712C02 | 1/2" | 18 |
| KE KELIT | Circular Bend | NP460 Elbow adaptor 90° with M thr. | 53712D04 | 3/4" | 22 |
| KE KELIT | Circular Bend | NP460 Elbow adaptor 90° with M thr. | 53712E05 | 28 | 3/4" |
| KE KELIT | Circular Bend | NP460 Elbow adaptor 90° with M thr. | 53712F06 | 35 | 3/4" |
| KE KELIT | Circular Bend | NP460 Elbow adaptor 90° with M thr. | 53712G07 | 42 | 1" |
| KE KELIT | Circular Bend | NP460 Elbow adaptor 90° with M thr. | 53712H09 | 54 | 1 1/4" |

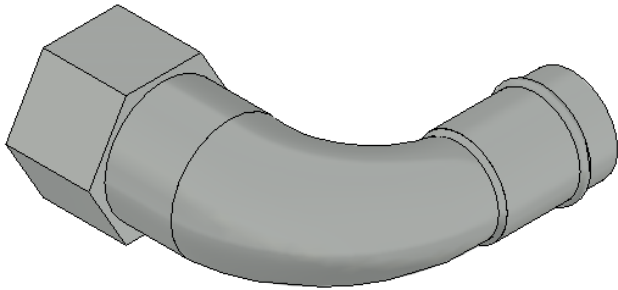
M_Bend_Circular_MEPcontent_KE KELIT STEELFIX Stainless Steel_NP468.rfa



| Manufacturer | Article Description | Article Type | Manufacturer Art. No. | Diameter 1 | Diameter 2 |
|---------------------|----------------------------|--|------------------------------|-------------------|-------------------|
| KE KELIT | Circular Bend | NP468 Elbow adaptor 90° pipe dimension with F thr. | 53717B02 | 3/4" | 15 |



| Manufacturer | Article Description | Article Type | Manufacturer Art. No. | Diameter 1 | Diameter 2 |
|--------------|---------------------|------------------------------------|-----------------------|------------|------------|
| KE KELIT | Circular Bend | NP480 Wall bracket 90° with F thr. | 53750B02 | 1/2" | 15 |
| KE KELIT | Circular Bend | NP480 Wall bracket 90° with F thr. | 53750C02 | 1/2" | 18 |
| KE KELIT | Circular Bend | NP480 Wall bracket 90° with F thr. | 53750D04 | 3/4" | 22 |

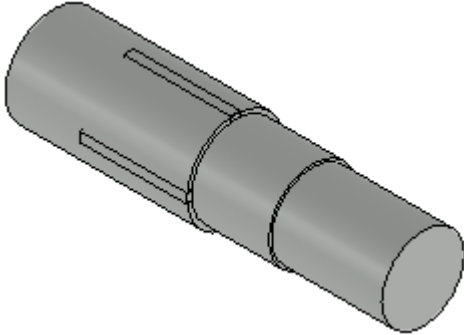


| Manufacturer | Article Description | Article Type | Manufacturer Art. No. | Diameter 1 | Diameter 2 |
|--------------|---------------------|-------------------------------------|-----------------------|------------|------------|
| KE KELIT | Circular Bend | NP467 Elbow adaptor 90° with F thr. | 53716B02 | 1/2" | 15 |
| KE KELIT | Circular Bend | NP467 Elbow adaptor 90° with F thr. | 53716C02 | 1/2" | 18 |
| KE KELIT | Circular Bend | NP467 Elbow adaptor 90° with F thr. | 53716D02 | 22 | 1/2" |
| KE KELIT | Circular Bend | NP467 Elbow adaptor 90° with F thr. | 53716D04 | 3/4" | 22 |
| KE KELIT | Circular Bend | NP467 Elbow adaptor 90° with F thr. | 53716E02 | 28 | 1/2" |
| KE KELIT | Circular Bend | NP467 Elbow adaptor 90° with F thr. | 53716E04 | 28 | 3/4" |
| KE KELIT | Circular Bend | NP467 Elbow adaptor 90° with F thr. | 53716E05 | 1" | 28 |
| KE KELIT | Circular Bend | NP467 Elbow adaptor 90° with F thr. | 53716F02 | 35 | 1/2" |
| KE KELIT | Circular Bend | NP467 Elbow adaptor 90° with F thr. | 53716F04 | 35 | 3/4" |

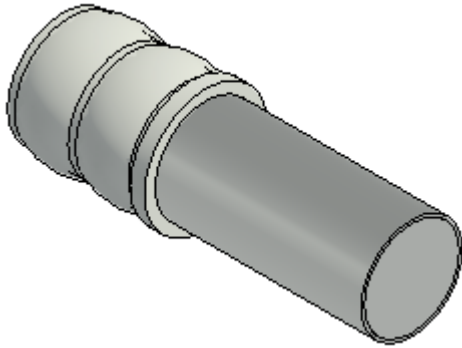
| | | | | | |
|----------|---------------|--|----------|--------|----|
| KE KELIT | Circular Bend | NP467 Elbow adaptor 90° with F thr. | 53716F05 | 35 | 1" |
| KE KELIT | Circular Bend | NP467 Elbow adaptor 90° with F thr. | 53716F06 | 1 1/4" | 35 |

- **Connection**

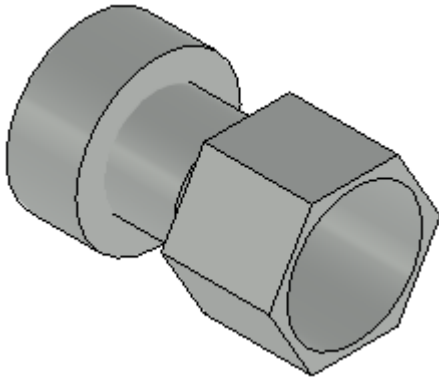
M_Connection Piece_Circular_MEPcontent_KE KELIT STEELFIX Stainless Steel_KMP489.rfa



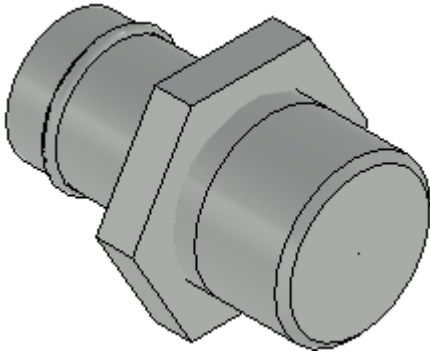
| Manufacturer | Article Description | Article Type | Manufacturer Art. No. | Diameter 1 | Diameter 2 |
|--------------|---------------------------|--------------------------------|-----------------------|------------|------------|
| KE KELIT | Circular Connection Piece | KMP489 PROTEC-STEELFIX Adaptor | 73272BB0 | 16 | 15 |
| KE KELIT | Circular Connection Piece | KMP489 PROTEC-STEELFIX Adaptor | 73272CD0 | 20 | 18 |
| KE KELIT | Circular Connection Piece | KMP489 PROTEC-STEELFIX Adaptor | 73272DD0 | 20 | 22 |
| KE KELIT | Circular Connection Piece | KMP489 PROTEC-STEELFIX Adaptor | 73272DE0 | 25 | 22 |
| KE KELIT | Circular Connection Piece | KMP489 PROTEC-STEELFIX Adaptor | 73272EF0 | 32 | 28 |



| Manufacturer | Article Description | Article Type | Manufacturer Art. No. | Diameter 1 | Diameter 2 |
|--------------|---------------------------|--------------------------------|-----------------------|------------|------------|
| KE KELIT | Circular Connection Piece | KMU489 ULTRAX-STEELFIX Adaptor | 53272BB0 | 16 | 15 |
| KE KELIT | Circular Connection Piece | KMU489 ULTRAX-STEELFIX Adaptor | 53272CD0 | 20 | 18 |
| KE KELIT | Circular Connection Piece | KMU489 ULTRAX-STEELFIX Adaptor | 53272DD0 | 20 | 22 |
| KE KELIT | Circular Connection Piece | KMU489 ULTRAX-STEELFIX Adaptor | 53272DE0 | 25 | 22 |
| KE KELIT | Circular Connection Piece | KMU489 ULTRAX-STEELFIX Adaptor | 53272EF0 | 32 | 28 |
| KE KELIT | Circular Connection Piece | KMU489 ULTRAX-STEELFIX Adaptor | 53272FG0 | 40 | 35 |

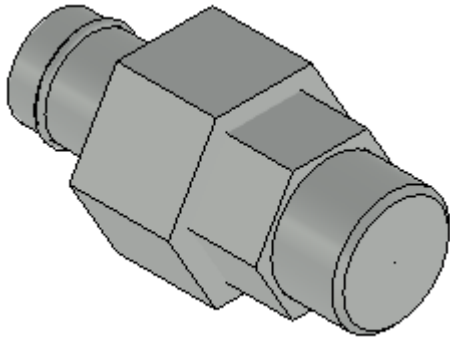


| Manufacturer | Article Description | Article Type | Manufacturer Art. No. | Diameter 1 | Diameter 2 |
|--------------|---------------------------|---------------------------|-----------------------|------------|------------|
| KE KELIT | Circular Connection Piece | NF457 Adaptor push-F thr. | 53206B02 | 15 | 1/2" |
| KE KELIT | Circular Connection Piece | NF457 Adaptor push-F thr. | 53206C02 | 18 | 1/2" |
| KE KELIT | Circular Connection Piece | NF457 Adaptor push-F thr. | 53206D02 | 22 | 1/2" |
| KE KELIT | Circular Connection Piece | NF457 Adaptor push-F thr. | 53206E04 | 28 | 3/4" |



| Manufacturer | Article Description | Article Type | Manufacturer Art. No. | Diameter 1 | Diameter 2 |
|--------------|---------------------------|---------------------------|-----------------------|------------|------------|
| KE KELIT | Circular Connection Piece | NP450 Adaptor with M thr. | 53702B02 | 15 | 1/2" |
| KE KELIT | Circular Connection Piece | NP450 Adaptor with M thr. | 53702B04 | 15 | 3/4" |
| KE KELIT | Circular Connection Piece | NP450 Adaptor with M thr. | 53702C02 | 18 | 1/2" |
| KE KELIT | Circular Connection Piece | NP450 Adaptor with M thr. | 53702C04 | 18 | 3/4" |
| KE KELIT | Circular Connection Piece | NP450 Adaptor with M thr. | 53702D02 | 22 | 1/2" |
| KE KELIT | Circular Connection Piece | NP450 Adaptor with M thr. | 53702D04 | 22 | 3/4" |
| KE KELIT | Circular Connection Piece | NP450 Adaptor with M thr. | 53702D05 | 22 | 1" |
| KE KELIT | Circular Connection Piece | NP450 Adaptor with M thr. | 53702E04 | 28 | 3/4" |

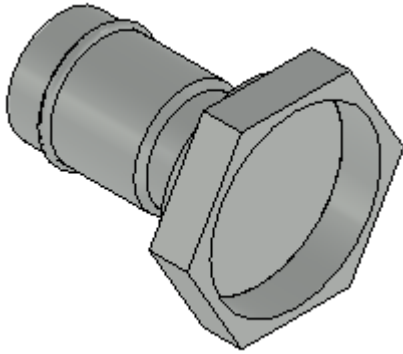
| Manufacturer | Article Description | Article Type | Manufacturer Art. No. | Diameter 1 | Diameter 2 |
|--------------|---------------------------|---------------------------|-----------------------|------------|------------|
| KE KELIT | Circular Connection Piece | NP450 Adaptor with M thr. | 53702E05 | 28 | 1" |
| KE KELIT | Circular Connection Piece | NP450 Adaptor with M thr. | 53702E06 | 28 | 1 1/4" |
| KE KELIT | Circular Connection Piece | NP450 Adaptor with M thr. | 53702F05 | 35 | 1" |
| KE KELIT | Circular Connection Piece | NP450 Adaptor with M thr. | 53702F06 | 35 | 1 1/4" |
| KE KELIT | Circular Connection Piece | NP450 Adaptor with M thr. | 53702F07 | 35 | 1 1/2" |
| KE KELIT | Circular Connection Piece | NP450 Adaptor with M thr. | 53702G06 | 42 | 1 1/4" |
| KE KELIT | Circular Connection Piece | NP450 Adaptor with M thr. | 53702G07 | 42 | 1 1/2" |
| KE KELIT | Circular Connection Piece | NP450 Adaptor with M thr. | 53702H07 | 54 | 1 1/2" |
| KE KELIT | Circular Connection Piece | NP450 Adaptor with M thr. | 53702H09 | 54 | 2" |
| KE KELIT | Circular Connection Piece | NP450 Adaptor with M thr. | 53702J12 | 76.1 | 2 1/2" |
| KE KELIT | Circular Connection Piece | NP450 Adaptor with M thr. | 53702K14 | 88.9 | 3" |



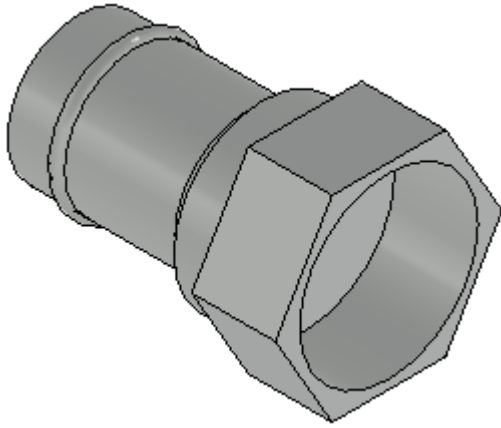
| Manufacturer | Article Description | Article Type | Manufacturer Art. No. | Diameter 1 | Diameter 2 |
|--------------|---------------------------|-------------------------|-----------------------|------------|------------|
| KE KELIT | Circular Connection Piece | NP451 Union with M thr. | 53741B02 | 15 | 1/2" |
| KE KELIT | Circular Connection Piece | NP451 Union with M thr. | 53741C02 | 18 | 1/2" |
| KE KELIT | Circular Connection Piece | NP451 Union with M thr. | 53741C04 | 18 | 3/4" |
| KE KELIT | Circular Connection Piece | NP451 Union with M thr. | 53741D02 | 22 | 1/2" |
| KE KELIT | Circular Connection Piece | NP451 Union with M thr. | 53741D04 | 22 | 3/4" |
| KE KELIT | Circular Connection Piece | NP451 Union with M thr. | 53741D05 | 22 | 1" |
| KE KELIT | Circular Connection Piece | NP451 Union with M thr. | 53741E05 | 28 | 1" |
| KE KELIT | Circular Connection Piece | NP451 Union with M thr. | 53741F06 | 35 | 1 1/4" |

| Manufacturer | Article Description | Article Type | Manufacturer Art. No. | Diameter 1 | Diameter 2 |
|---------------------|----------------------------|-------------------------|------------------------------|-------------------|-------------------|
| KE KELIT | Circular Connection Piece | NP451 Union with M thr. | 53741G07 | 42 | 1 1/2" |
| KE KELIT | Circular Connection Piece | NP451 Union with M thr. | 53741H09 | 54 | 2" |



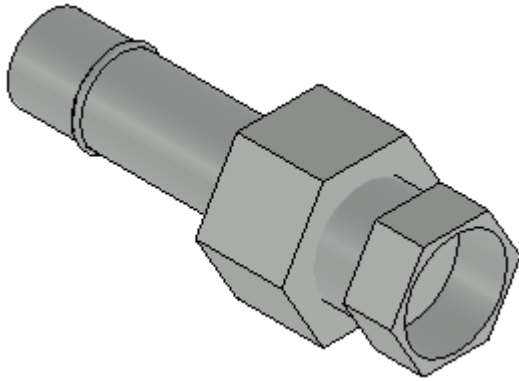


| Manufacturer | Article Description | Article Type | Manufacturer Art. No. | Diameter 1 | Diameter 2 |
|--------------|---------------------------|------------------------------------|-----------------------|------------|------------|
| KE KELIT | Circular Connection Piece | NP455 Screw connection with F thr. | 53703B04 | 15 | 3/4" |
| KE KELIT | Circular Connection Piece | NP455 Screw connection with F thr. | 53703C04 | 18 | 3/4" |
| KE KELIT | Circular Connection Piece | NP455 Screw connection with F thr. | 53703D05 | 22 | 1" |
| KE KELIT | Circular Connection Piece | NP455 Screw connection with F thr. | 53703E06 | 28 | 1 1/4" |
| KE KELIT | Circular Connection Piece | NP455 Screw connection with F thr. | 53703F07 | 35 | 1 1/2" |
| KE KELIT | Circular Connection Piece | NP455 Screw connection with F thr. | 53703G08 | 42 | 1 3/4" |
| KE KELIT | Circular Connection Piece | NP455 Screw connection with F thr. | 53703H11 | 54 | 2 3/8" |



| Manufacturer | Article Description | Article Type | Manufacturer Art. No. | Diameter 1 | Diameter 2 |
|--------------|---------------------------|---------------------------|-----------------------|------------|------------|
| KE KELIT | Circular Connection Piece | NP457 Adaptor with F thr. | 53706B02 | 15 | 1/2" |
| KE KELIT | Circular Connection Piece | NP457 Adaptor with F thr. | 53706B04 | 15 | 3/4" |
| KE KELIT | Circular Connection Piece | NP457 Adaptor with F thr. | 53706C02 | 18 | 1/2" |
| KE KELIT | Circular Connection Piece | NP457 Adaptor with F thr. | 53706C04 | 18 | 3/4" |
| KE KELIT | Circular Connection Piece | NP457 Adaptor with F thr. | 53706D02 | 22 | 1/2" |
| KE KELIT | Circular Connection Piece | NP457 Adaptor with F thr. | 53706D04 | 22 | 3/4" |
| KE KELIT | Circular Connection Piece | NP457 Adaptor with F thr. | 53706D05 | 22 | 1" |
| KE KELIT | Circular Connection Piece | NP457 Adaptor with F thr. | 53706E02 | 28 | 1/2" |

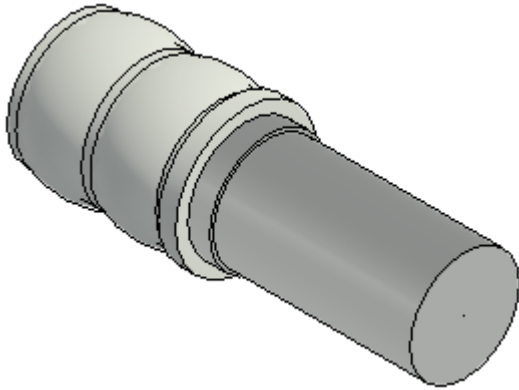
| Manufacturer | Article Description | Article Type | Manufacturer Art. No. | Diameter 1 | Diameter 2 |
|--------------|---------------------------|---------------------------|-----------------------|------------|------------|
| KE KELIT | Circular Connection Piece | NP457 Adaptor with F thr. | 53706E04 | 28 | 3/4" |
| KE KELIT | Circular Connection Piece | NP457 Adaptor with F thr. | 53706E05 | 28 | 1" |
| KE KELIT | Circular Connection Piece | NP457 Adaptor with F thr. | 53706E06 | 28 | 1 1/4" |
| KE KELIT | Circular Connection Piece | NP457 Adaptor with F thr. | 53706F05 | 35 | 1" |
| KE KELIT | Circular Connection Piece | NP457 Adaptor with F thr. | 53706F06 | 35 | 1 1/4" |
| KE KELIT | Circular Connection Piece | NP457 Adaptor with F thr. | 53706F07 | 35 | 1 1/2" |
| KE KELIT | Circular Connection Piece | NP457 Adaptor with F thr. | 53706G06 | 42 | 1 1/4" |
| KE KELIT | Circular Connection Piece | NP457 Adaptor with F thr. | 53706G07 | 42 | 1 1/2" |
| KE KELIT | Circular Connection Piece | NP457 Adaptor with F thr. | 53706H07 | 54 | 1 1/2" |
| KE KELIT | Circular Connection Piece | NP457 Adaptor with F thr. | 53706H09 | 54 | 2" |



| Manufacturer | Article Description | Article Type | Manufacturer Art. No. | Diameter 1 | Diameter 2 |
|--------------|---------------------------|-------------------------|-----------------------|------------|------------|
| KE KELIT | Circular Connection Piece | NP466 Union with F thr. | 53742B02 | 15 | 1/2" |
| KE KELIT | Circular Connection Piece | NP466 Union with F thr. | 53742B04 | 15 | 3/4" |
| KE KELIT | Circular Connection Piece | NP466 Union with F thr. | 53742C02 | 18 | 1/2" |
| KE KELIT | Circular Connection Piece | NP466 Union with F thr. | 53742C04 | 18 | 3/4" |
| KE KELIT | Circular Connection Piece | NP466 Union with F thr. | 53742D04 | 22 | 3/4" |
| KE KELIT | Circular Connection Piece | NP466 Union with F thr. | 53742D05 | 22 | 1" |
| KE KELIT | Circular Connection Piece | NP466 Union with F thr. | 53742E05 | 28 | 1" |
| KE KELIT | Circular Connection Piece | NP466 Union with F thr. | 53742F06 | 35 | 1 1/4" |

| Manufacturer | Article Description | Article Type | Manufacturer Art. No. | Diameter 1 | Diameter 2 |
|---------------------|----------------------------|-------------------------|------------------------------|-------------------|-------------------|
| KE KELIT | Circular Connection Piece | NP466 Union with F thr. | 53742G07 | 42 | 1 1/2" |
| KE KELIT | Circular Connection Piece | NP466 Union with F thr. | 53742H09 | 54 | 2" |

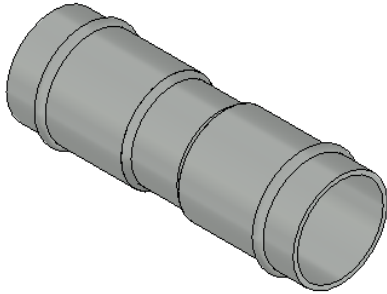




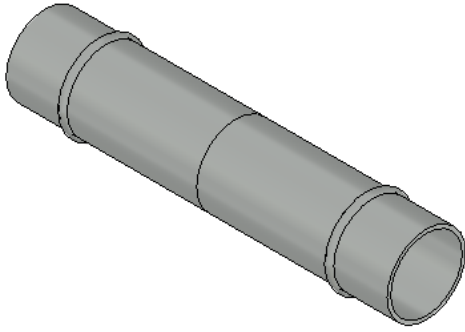
| Manufacturer | Article Description | Article Type | Manufacturer Art. No. | Diameter 1 | Diameter 2 |
|--------------|---------------------------|---------------------------------|-----------------------|------------|------------|
| KE KELIT | Circular Connection Piece | SMX489 STEELOX-STEELFIX Adaptor | 57272BB0 | 16 | 15 |
| KE KELIT | Circular Connection Piece | SMX489 STEELOX-STEELFIX Adaptor | 57272DD0 | 20 | 22 |
| KE KELIT | Circular Connection Piece | SMX489 STEELOX-STEELFIX Adaptor | 57272DE0 | 25 | 22 |

- Coupling

M_Coupling_Circular_MEPcontent_KE KELIT STEELFIX Stainless Steel_NP410.rfa



| Manufacturer | Article Description | Article Type | Manufacturer Art. No. | Diameter 1 | Diameter 2 |
|--------------|---------------------|----------------|-----------------------|------------|------------|
| KE KELIT | Circular Coupling | NP410 Coupling | 53600BB0 | 15 | 15 |
| KE KELIT | Circular Coupling | NP410 Coupling | 53600CC0 | 18 | 18 |
| KE KELIT | Circular Coupling | NP410 Coupling | 53600DD0 | 22 | 22 |
| KE KELIT | Circular Coupling | NP410 Coupling | 53600EE0 | 28 | 28 |
| KE KELIT | Circular Coupling | NP410 Coupling | 53600FF0 | 35 | 35 |
| KE KELIT | Circular Coupling | NP410 Coupling | 53600GG0 | 42 | 42 |
| KE KELIT | Circular Coupling | NP410 Coupling | 53600HH0 | 54 | 54 |
| KE KELIT | Circular Coupling | NP410 Coupling | 53600JJ0 | 76.1 | 76.1 |
| KE KELIT | Circular Coupling | NP410 Coupling | 53600KK0 | 88.9 | 88.9 |
| KE KELIT | Circular Coupling | NP410 Coupling | 53600LL0 | 108 | 108 |

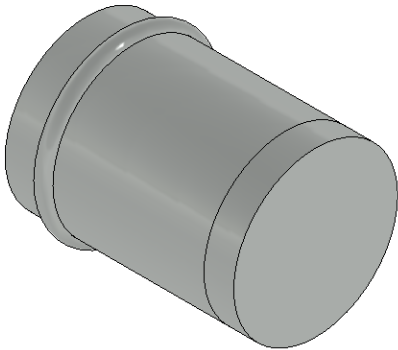


| Manufacturer | Article Description | Article Type | Manufacturer Art. No. | Diameter 1 | Diameter 2 |
|--------------|---------------------|-----------------------|-----------------------|------------|------------|
| KE KELIT | Circular Coupling | NP415 Repair coupling | 53605BB0 | 15 | 15 |
| KE KELIT | Circular Coupling | NP415 Repair coupling | 53605CC0 | 18 | 18 |
| KE KELIT | Circular Coupling | NP415 Repair coupling | 53605DD0 | 22 | 22 |
| KE KELIT | Circular Coupling | NP415 Repair coupling | 53605EE0 | 28 | 28 |
| KE KELIT | Circular Coupling | NP415 Repair coupling | 53605FF0 | 35 | 35 |
| KE KELIT | Circular Coupling | NP415 Repair coupling | 53605GG0 | 42 | 42 |
| KE KELIT | Circular Coupling | NP415 Repair coupling | 53605HH0 | 54 | 54 |
| KE KELIT | Circular Coupling | NP415 Repair coupling | 53605JJ0 | 76.1 | 76.1 |

| Manufacturer | Article Description | Article Type | Manufacturer Art. No. | Diameter 1 | Diameter 2 |
|---------------------|----------------------------|-----------------------|------------------------------|-------------------|-------------------|
| KE KELIT | Circular Coupling | NP415 Repair coupling | 53605KK0 | 88.9 | 88.9 |
| KE KELIT | Circular Coupling | NP415 Repair coupling | 53605LL0 | 108 | 108 |

- End Piece

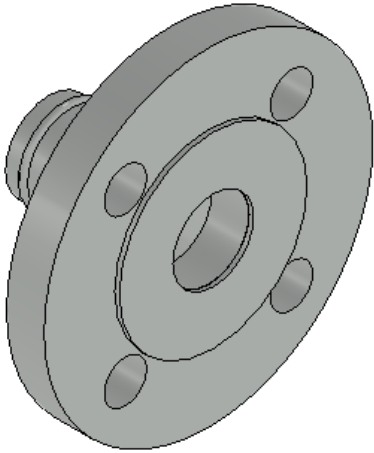
M_End Piece Cover_Circular Flat_MEPcontent_KE KELIT STEELFIX Stainless Steel_NP471.rfa



| Manufacturer | Article Description | Article Type | Manufacturer Art. No. | Diameter 1 |
|--------------|--------------------------|--------------|-----------------------|------------|
| KE KELIT | Circular Cover End Piece | NP471 Cap | 53735B00 | 15 |
| KE KELIT | Circular Cover End Piece | NP471 Cap | 53735C00 | 18 |
| KE KELIT | Circular Cover End Piece | NP471 Cap | 53735D00 | 22 |
| KE KELIT | Circular Cover End Piece | NP471 Cap | 53735E00 | 28 |
| KE KELIT | Circular Cover End Piece | NP471 Cap | 53735F00 | 35 |
| KE KELIT | Circular Cover End Piece | NP471 Cap | 53735G00 | 42 |
| KE KELIT | Circular Cover End Piece | NP471 Cap | 53735H00 | 54 |
| KE KELIT | Circular Cover End Piece | NP471 Cap | 53735J00 | 76.1 |
| KE KELIT | Circular Cover End Piece | NP471 Cap | 53735K00 | 88.9 |
| KE KELIT | Circular Cover End Piece | NP471 Cap | 53735L00 | 108 |

- Flange

M_Flange_Circular_MEPcontent_KE KELIT STEELFIX StainlessSteel_NP486.rfa



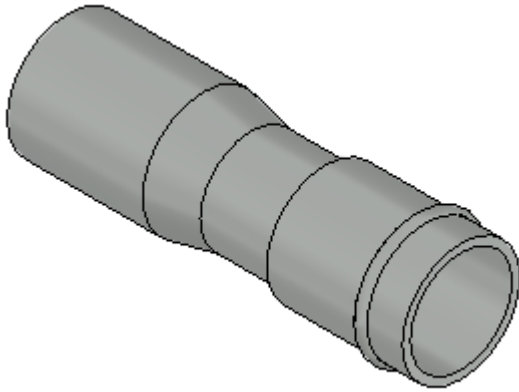
| Manufacturer | Article Description | Article Type | Manufacturer Art. No. | Diameter 1 | Diameter 2 |
|--------------|---------------------|----------------------|-----------------------|------------|------------|
| KE KELIT | Flange Circular | NP486 Adaptor flange | 53755F00 | 35 | DN32 |
| KE KELIT | Flange Circular | NP486 Adaptor flange | 53755G00 | 42 | DN40 |
| KE KELIT | Flange Circular | NP486 Adaptor flange | 53755H00 | 54 | DN50 |
| KE KELIT | Flange Circular | NP486 Adaptor flange | 53755J00 | 76.1 | DN65 |
| KE KELIT | Flange Circular | NP486 Adaptor flange | 53755K00 | 88.9 | DN80 |
| KE KELIT | Flange Circular | NP486 Adaptor flange | 53755L00 | 108 | DN100 |
| KE KELIT | Flange Circular | NP486 Adaptor flange | 53755F00 | 35 | DN32 |
| KE KELIT | Flange Circular | NP486 Adaptor flange | 53755G00 | 42 | DN40 |
| KE KELIT | Flange Circular | NP486 Adaptor flange | 53755H00 | 54 | DN50 |

| Manufacturer | Article Description | Article Type | Manufacturer Art. No. | Diameter 1 | Diameter 2 |
|---------------------|----------------------------|----------------------|------------------------------|-------------------|-------------------|
| KE KELIT | Flange Circular | NP486 Adaptor flange | 53755J00 | 76.1 | DN65 |
| KE KELIT | Flange Circular | NP486 Adaptor flange | 53755K00 | 88.9 | DN80 |
| KE KELIT | Flange Circular | NP486 Adaptor flange | 53755L00 | 108 | DN100 |



- Reducer

M_Reducer_Circular_MEPcontent_KE KELIT STEELFIX Stainless Steel_NP411.rfa



| Manufacturer | Article Description | Article Type | Manufacturer Art. No. | Diameter 1 | Diameter 2 |
|--------------|---------------------|-----------------------|-----------------------|------------|------------|
| KE KELIT | Circular Reducer | NP411 Reducing nipple | 53601CB0 | 18 | 15 |
| KE KELIT | Circular Reducer | NP411 Reducing nipple | 53601DB0 | 22 | 15 |
| KE KELIT | Circular Reducer | NP411 Reducing nipple | 53601DC0 | 22 | 18 |
| KE KELIT | Circular Reducer | NP411 Reducing nipple | 53601EB0 | 28 | 15 |
| KE KELIT | Circular Reducer | NP411 Reducing nipple | 53601EC0 | 28 | 18 |
| KE KELIT | Circular Reducer | NP411 Reducing nipple | 53601ED0 | 28 | 22 |
| KE KELIT | Circular Reducer | NP411 Reducing nipple | 53601FB0 | 35 | 15 |

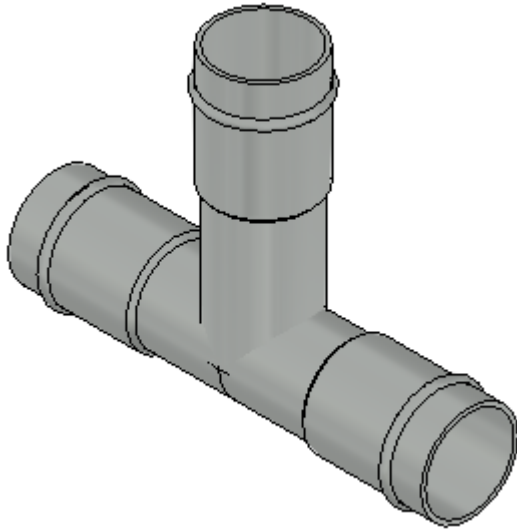
| Manufacturer | Article Description | Article Type | Manufacturer Art. No. | Diameter 1 | Diameter 2 |
|---------------------|----------------------------|-----------------------|------------------------------|-------------------|-------------------|
| KE KELIT | Circular Reducer | NP411 Reducing nipple | 53601FC0 | 35 | 18 |
| KE KELIT | Circular Reducer | NP411 Reducing nipple | 53601FD0 | 35 | 22 |
| KE KELIT | Circular Reducer | NP411 Reducing nipple | 53601FE0 | 35 | 28 |
| KE KELIT | Circular Reducer | NP411 Reducing nipple | 53601GD0 | 42 | 22 |
| KE KELIT | Circular Reducer | NP411 Reducing nipple | 53601GE0 | 42 | 28 |
| KE KELIT | Circular Reducer | NP411 Reducing nipple | 53601GF0 | 42 | 35 |
| KE KELIT | Circular Reducer | NP411 Reducing nipple | 53601HE0 | 54 | 28 |
| KE KELIT | Circular Reducer | NP411 Reducing nipple | 53601HF0 | 54 | 35 |
| KE KELIT | Circular Reducer | NP411 Reducing nipple | 53601HG0 | 54 | 42 |
| KE KELIT | Circular Reducer | NP411 Reducing nipple | 53601JH0 | 76.1 | 54 |
| KE KELIT | Circular Reducer | NP411 Reducing nipple | 53601KH0 | 88.9 | 54 |
| KE KELIT | Circular Reducer | NP411 Reducing nipple | 53601KJ0 | 88.9 | 76.1 |

| Manufacturer | Article Description | Article Type | Manufacturer Art. No. | Diameter 1 | Diameter 2 |
|---------------------|----------------------------|-----------------------|------------------------------|-------------------|-------------------|
| KE KELIT | Circular Reducer | NP411 Reducing nipple | 53601LJ0 | 108 | 76.1 |
| KE KELIT | Circular Reducer | NP411 Reducing nipple | 53601LK0 | 108 | 88.9 |



- Tee

M_Tee_Circular_MEPcontent_KE KELIT STEELFIX Stainless Steel_NP440.rfa



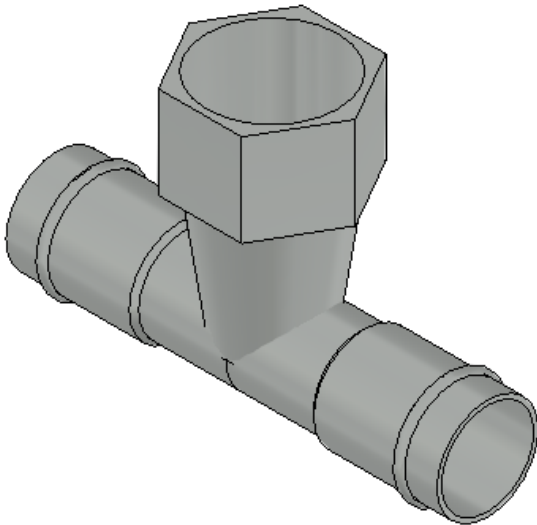
| Manufacturer | Article Description | Article Type | Manufacturer Art. No. | Diameter 1 | Diameter 2 | Diameter 3 |
|--------------|---------------------|---------------|-----------------------|------------|------------|------------|
| KE KELIT | Circular Tee | NP440 T-piece | 53630BBB | 15 | 15 | 15 |
| KE KELIT | Circular Tee | NP440 T-piece | 53630CBC | 18 | 18 | 15 |
| KE KELIT | Circular Tee | NP440 T-piece | 53630CCC | 18 | 18 | 18 |
| KE KELIT | Circular Tee | NP440 T-piece | 53630DBD | 22 | 22 | 15 |
| KE KELIT | Circular Tee | NP440 T-piece | 53630DCD | 22 | 22 | 18 |
| KE KELIT | Circular Tee | NP440 T-piece | 53630DDD | 22 | 22 | 22 |

| Manufacturer | Article Description | Article Type | Manufacturer Art. No. | Diameter 1 | Diameter 2 | Diameter 3 |
|--------------|---------------------|---------------|-----------------------|------------|------------|------------|
| KE KELIT | Circular Tee | NP440 T-piece | 53630EBE | 28 | 28 | 15 |
| KE KELIT | Circular Tee | NP440 T-piece | 53630ECE | 28 | 28 | 18 |
| KE KELIT | Circular Tee | NP440 T-piece | 53630EDE | 28 | 28 | 22 |
| KE KELIT | Circular Tee | NP440 T-piece | 53630EEE | 28 | 28 | 28 |
| KE KELIT | Circular Tee | NP440 T-piece | 53630FBF | 35 | 35 | 15 |
| KE KELIT | Circular Tee | NP440 T-piece | 53630FCF | 35 | 35 | 18 |
| KE KELIT | Circular Tee | NP440 T-piece | 53630FDF | 35 | 35 | 22 |
| KE KELIT | Circular Tee | NP440 T-piece | 53630FEF | 35 | 35 | 28 |
| KE KELIT | Circular Tee | NP440 T-piece | 53630FFF | 35 | 35 | 35 |
| KE KELIT | Circular Tee | NP440 T-piece | 53630GDG | 42 | 42 | 22 |
| KE KELIT | Circular Tee | NP440 T-piece | 53630GEG | 42 | 42 | 28 |
| KE KELIT | Circular Tee | NP440 T-piece | 53630GFG | 42 | 42 | 35 |

| Manufacturer | Article Description | Article Type | Manufacturer Art. No. | Diameter 1 | Diameter 2 | Diameter 3 |
|--------------|---------------------|---------------|-----------------------|------------|------------|------------|
| KE KELIT | Circular Tee | NP440 T-piece | 53630GGG | 42 | 42 | 42 |
| KE KELIT | Circular Tee | NP440 T-piece | 53630HDH | 54 | 54 | 22 |
| KE KELIT | Circular Tee | NP440 T-piece | 53630HEH | 54 | 54 | 28 |
| KE KELIT | Circular Tee | NP440 T-piece | 53630HFH | 54 | 54 | 35 |
| KE KELIT | Circular Tee | NP440 T-piece | 53630HGH | 54 | 54 | 42 |
| KE KELIT | Circular Tee | NP440 T-piece | 53630HHH | 54 | 54 | 54 |
| KE KELIT | Circular Tee | NP440 T-piece | 53630JDJ | 76.1 | 76.1 | 22 |
| KE KELIT | Circular Tee | NP440 T-piece | 53630JEJ | 76.1 | 76.1 | 28 |
| KE KELIT | Circular Tee | NP440 T-piece | 53630JFJ | 76.1 | 76.1 | 35 |
| KE KELIT | Circular Tee | NP440 T-piece | 53630JGJ | 76.1 | 76.1 | 42 |
| KE KELIT | Circular Tee | NP440 T-piece | 53630JHJ | 76.1 | 76.1 | 54 |
| KE KELIT | Circular Tee | NP440 T-piece | 53630JJJ | 76.1 | 76.1 | 76.1 |

| Manufacturer | Article Description | Article Type | Manufacturer Art. No. | Diameter 1 | Diameter 2 | Diameter 3 |
|--------------|---------------------|---------------|-----------------------|------------|------------|------------|
| KE KELIT | Circular Tee | NP440 T-piece | 53630KDK | 88.9 | 88.9 | 22 |
| KE KELIT | Circular Tee | NP440 T-piece | 53630KEK | 88.9 | 88.9 | 28 |
| KE KELIT | Circular Tee | NP440 T-piece | 53630KFK | 88.9 | 88.9 | 35 |
| KE KELIT | Circular Tee | NP440 T-piece | 53630KGK | 88.9 | 88.9 | 42 |
| KE KELIT | Circular Tee | NP440 T-piece | 53630KHK | 88.9 | 88.9 | 54 |
| KE KELIT | Circular Tee | NP440 T-piece | 53630KJK | 88.9 | 88.9 | 76.1 |
| KE KELIT | Circular Tee | NP440 T-piece | 53630KKK | 88.9 | 88.9 | 88.9 |
| KE KELIT | Circular Tee | NP440 T-piece | 53630LDL | 108 | 108 | 22 |
| KE KELIT | Circular Tee | NP440 T-piece | 53630LEL | 108 | 108 | 28 |
| KE KELIT | Circular Tee | NP440 T-piece | 53630LFL | 108 | 108 | 35 |
| KE KELIT | Circular Tee | NP440 T-piece | 53630LGL | 108 | 108 | 42 |
| KE KELIT | Circular Tee | NP440 T-piece | 53630LHL | 108 | 108 | 54 |

| Manufacturer | Article Description | Article Type | Manufacturer Art. No. | Diameter 1 | Diameter 2 | Diameter 3 |
|---------------------|----------------------------|---------------------|------------------------------|-------------------|-------------------|-------------------|
| KE KELIT | Circular Tee | NP440 T-piece | 53630LJL | 108 | 108 | 76.1 |
| KE KELIT | Circular Tee | NP440 T-piece | 53630LKL | 108 | 108 | 88.9 |
| KE KELIT | Circular Tee | NP440 T-piece | 53630LLL | 108 | 108 | 108 |



| Manufacturer | Article Description | Article Type | Manufacturer Art. No. | Diameter 1 | Diameter 2 | Diameter 3 |
|--------------|---------------------|----------------------------------|-----------------------|------------|------------|------------|
| KE KELIT | Circular Tee | NP447 T-piece with F thr. branch | 53740B02 | 15 | 15 | 1/2" |
| KE KELIT | Circular Tee | NP447 T-piece with F thr. branch | 53740C02 | 18 | 18 | 1/2" |
| KE KELIT | Circular Tee | NP447 T-piece with F thr. branch | 53740D02 | 22 | 22 | 1/2" |
| KE KELIT | Circular Tee | NP447 T-piece with F thr. branch | 53740D04 | 22 | 22 | 3/4" |
| KE KELIT | Circular Tee | NP447 T-piece with F thr. branch | 53740E02 | 28 | 28 | 1/2" |
| KE KELIT | Circular Tee | NP447 T-piece with F thr. branch | 53740E04 | 28 | 28 | 3/4" |
| KE KELIT | Circular Tee | NP447 T-piece with F thr. branch | 53740E05 | 28 | 28 | 1" |

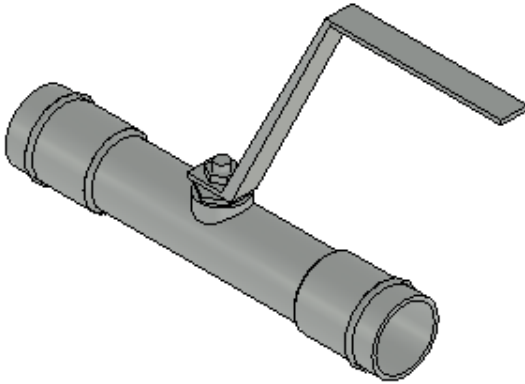
| Manufacturer | Article Description | Article Type | Manufacturer Art. No. | Diameter 1 | Diameter 2 | Diameter 3 |
|--------------|---------------------|----------------------------------|-----------------------|------------|------------|------------|
| KE KELIT | Circular Tee | NP447 T-piece with F thr. branch | 53740F02 | 35 | 35 | 1/2" |
| KE KELIT | Circular Tee | NP447 T-piece with F thr. branch | 53740F04 | 35 | 35 | 3/4" |
| KE KELIT | Circular Tee | NP447 T-piece with F thr. branch | 53740F05 | 35 | 35 | 1" |
| KE KELIT | Circular Tee | NP447 T-piece with F thr. branch | 53740G02 | 42 | 42 | 1/2" |
| KE KELIT | Circular Tee | NP447 T-piece with F thr. branch | 53740G04 | 42 | 42 | 3/4" |
| KE KELIT | Circular Tee | NP447 T-piece with F thr. branch | 53740G05 | 42 | 42 | 1" |
| KE KELIT | Circular Tee | NP447 T-piece with F thr. branch | 53740H02 | 54 | 54 | 1/2" |
| KE KELIT | Circular Tee | NP447 T-piece with F thr. branch | 53740H04 | 54 | 54 | 3/4" |
| KE KELIT | Circular Tee | NP447 T-piece with F thr. branch | 53740H05 | 54 | 54 | 1" |
| KE KELIT | Circular Tee | NP447 T-piece with F thr. branch | 53740J04 | 76.1 | 76.1 | 3/4" |
| KE KELIT | Circular Tee | NP447 T-piece with F thr. branch | 53740K04 | 88.9 | 88.9 | 3/4" |
| KE KELIT | Circular Tee | NP447 T-piece with F thr. branch | 53740K09 | 88.9 | 88.9 | 2" |

| Manufacturer | Article Description | Article Type | Manufacturer Art. No. | Diameter 1 | Diameter 2 | Diameter 3 |
|--------------|---------------------|----------------------------------|-----------------------|------------|------------|------------|
| KE KELIT | Circular Tee | NP447 T-piece with F thr. branch | 53740L04 | 108 | 108 | 3/4" |

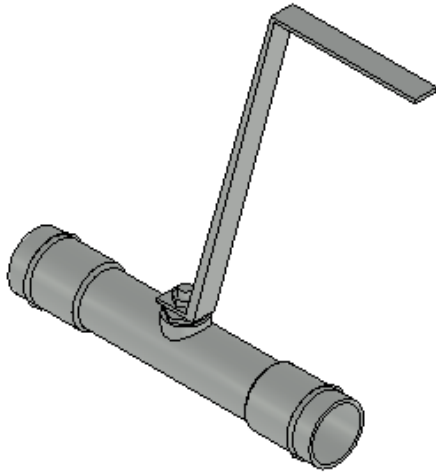


- Valves

M_Valve_Ball_MEPcontent_KE KELIT STEELFIX Stainless Steel_NP453.rfa



| Manufacturer | Article Description | Article Type | Manufacturer Art. No. | Diameter 1 | Diameter 2 |
|--------------|---------------------|--------------|-----------------------|------------|------------|
| KE KELIT | Ball Valve | Ball valve | 53728BB0 | 15 | 15 |
| KE KELIT | Ball Valve | Ball valve | 53728CC0 | 18 | 18 |
| KE KELIT | Ball Valve | Ball valve | 53728DD0 | 22 | 22 |
| KE KELIT | Ball Valve | Ball valve | 53728EE0 | 28 | 28 |
| KE KELIT | Ball Valve | Ball valve | 53728FF0 | 35 | 35 |
| KE KELIT | Ball Valve | Ball valve | 53728GG0 | 42 | 42 |
| KE KELIT | Ball Valve | Ball valve | 53728HH0 | 54 | 54 |



| Manufacturer | Article Description | Article Type | Manufacturer Art. No. | Diameter 1 | Diameter 2 |
|--------------|---------------------|----------------------------------|-----------------------|------------|------------|
| KE KELIT | Ball Valve | Ball valve with extended spindle | 53729BB0 | 15 | 15 |
| KE KELIT | Ball Valve | Ball valve with extended spindle | 53729CC0 | 18 | 18 |
| KE KELIT | Ball Valve | Ball valve with extended spindle | 53729DD0 | 22 | 22 |
| KE KELIT | Ball Valve | Ball valve with extended spindle | 53729EE0 | 28 | 28 |
| KE KELIT | Ball Valve | Ball valve with extended spindle | 53729FF0 | 35 | 35 |
| KE KELIT | Ball Valve | Ball valve with extended spindle | 53729GG0 | 42 | 42 |
| KE KELIT | Ball Valve | Ball valve with extended spindle | 53729HH0 | 54 | 54 |