

MEPcontent

KE KELIT COPPERFIX

Modeling with KE KELIT COPPERFIX	2
Installation	2
Draw	3
Routing Preferences	4
1. Transition bends	5
2. Tags	5
Schedules	6
Table of components	7
• Bend	7
• Connection	15
• Coupling	29
• End Piece	34
• Flange	36
• Reducer	38
• Tee	43

Modeling with KE KELIT COPPERFIX

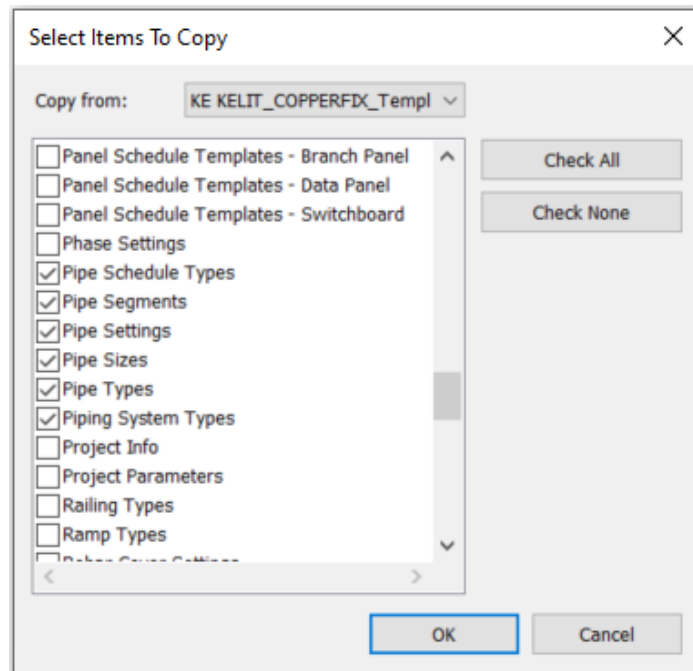
This manual describes how you can model with the product line of KE KELIT COPPERFIX in Revit 2021, 2022, 2023 or 2024. While drawing, the correct fittings (bends and connectors) are automatically inserted. In the template you can also find special fittings and equipment that you can place separately.

Installation

To draw with the product line of KE KELIT COPPERFIX, open the file *KE KELIT COPPERFIX_Template_INT-EN.rvt*. This Revit template contains the product line and a number of predefined schedules.

If you want to draw in an existing project, you can copy the product line using *Transfer Project Standards* in Revit. That is done in the following way:

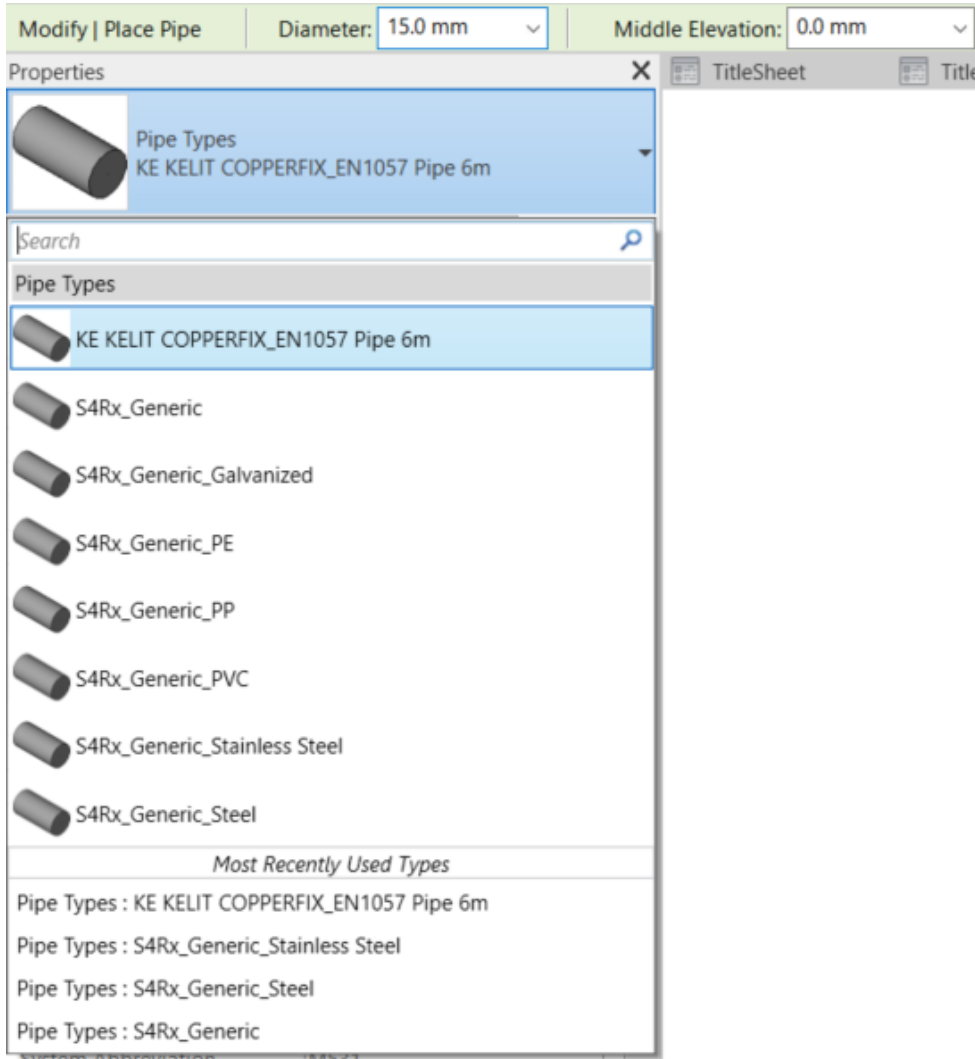
1. Open the existing project and the KE KELIT COPPERFIX template.
2. Activate the existing project.
3. On the tab *Manage*, panel *Settings*, select *Transfer Project Standards*.
4. At *Copy from*: select the template file, check the items as in the image below and click OK.



5. The product line is transferred from the template to the existing project.

Draw

When the product line is in the project, you can draw a pipe system the way you are used to via *Systems > Pipe*. In *Properties*, select the product line and dimensions.

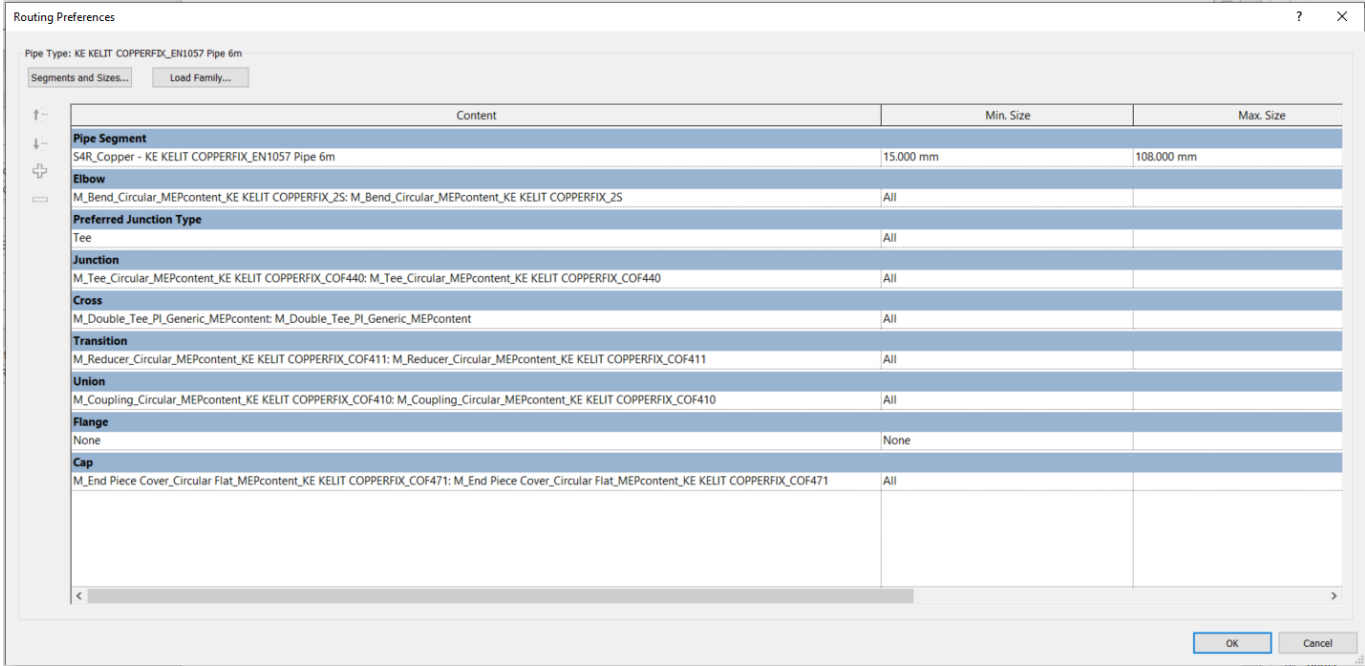


Next, model the system. KE KELIT COPPERFIX fittings with the correct article number are automatically added while drawing. Changing the pipes can be done the way you are used to in Revit: select the pipes and change the dimensions. The fittings are automatically adjusted.

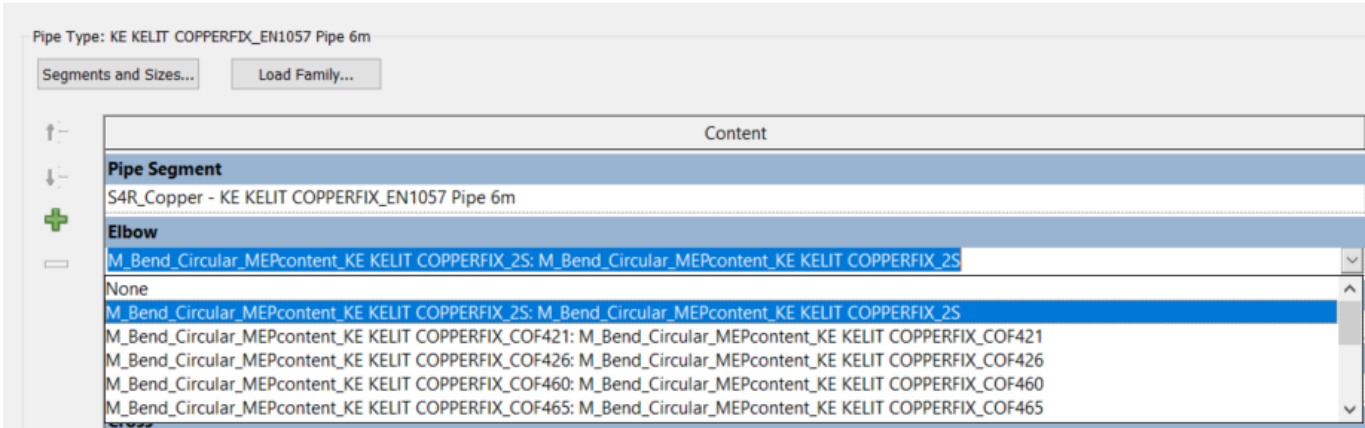
For circular pipes a 90° and 45° bends are available in autorouting. If the system is drawn at different angles a custom bend will be generated. As these bends do not really exist, they are marked red in the model.

Routing Preferences

For Routing Preferences, all compatible fittings for the specific pipe are added and can be selected by the user preference in the drop-down menu, considering the available sizes of specific fitting.



Routing Preferences



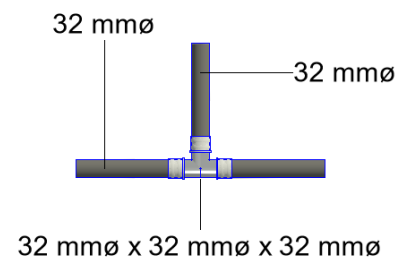
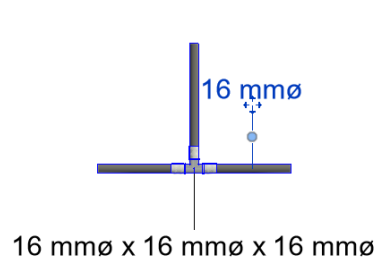
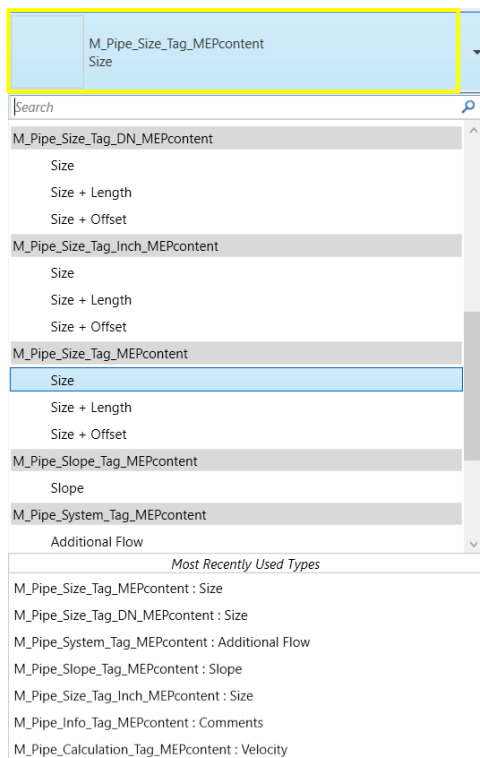
1. Transition bends

The transition bends (mm to inch) are found under “COF460”, “COF465”, “COF480” and “2S” families. These bends work with Steel pipe which is added in the template.

- + M_Bend_Circular_MEPcontent_KE KELIT COPPERFIX_2S
- + M_Bend_Circular_MEPcontent_KE KELIT COPPERFIX_COF421
- + M_Bend_Circular_MEPcontent_KE KELIT COPPERFIX_COF426
- + M_Bend_Circular_MEPcontent_KE KELIT COPPERFIX_COF460
- + M_Bend_Circular_MEPcontent_KE KELIT COPPERFIX_COF465
- + M_Bend_Circular_MEPcontent_KE KELIT COPPERFIX_COF480

2. Tags

The tag families for pipes are added, by pressing Tag by Category (TG) button and select the tag, for example size tag.



Schedules

The template contains two schedules for bills of materials for fittings and pipes:

- PI_General_BOM_Pipe Fittings
- PI_General_BOM_Pipes

<PI_General_BOM_Pipe Fittings>														
A	B	C	D	E	F	G	H	I	J	K	L	M	N	O
Manufacturer	Product Line	Article Description	Article Type	Manufacturer Art. No.	GTIN	Nominal Diameter 1	Nominal Diameter 2	Nominal Diameter 3	L1	L2	L3	Manufacturer URL	Count	Custom
KE KELIT	KE KELIT COPPERFIX	Circular Coupling	COF410 Coupling	52600AA0		12	12		4	4		https://www.kekelit.com/en_int/brands/	1	No
KE KELIT	KE KELIT COPPERFIX	Circular Coupling	COF410 Coupling	52600BB0		15	15		2	2		https://www.kekelit.com/en_int/brands/	1	No
KE KELIT	KE KELIT COPPERFIX	Circular Coupling	COF410 Coupling	52600CD0		18	18		2	2		https://www.kekelit.com/en_int/brands/	1	No
KE KELIT	KE KELIT COPPERFIX	Circular Coupling	COF410 Coupling	52600DD0		22	22		2	2		https://www.kekelit.com/en_int/brands/	1	No
KE KELIT	KE KELIT COPPERFIX	Circular Coupling	COF410 Coupling	52600EE0		28	28		2	2		https://www.kekelit.com/en_int/brands/	1	No
KE KELIT	KE KELIT COPPERFIX	Circular Coupling	COF410 Coupling	52600FF0		35	35		2	2		https://www.kekelit.com/en_int/brands/	1	No
KE KELIT	KE KELIT COPPERFIX	Circular Coupling	COF410 Coupling	52600GG0		42	42		4	4		https://www.kekelit.com/en_int/brands/	1	No
KE KELIT	KE KELIT COPPERFIX	Circular Coupling	COF410 Coupling	52600HH0		54	54		5	5		https://www.kekelit.com/en_int/brands/	1	No
KE KELIT	KE KELIT COPPERFIX	Circular Coupling	COF410 Coupling	52600II0		67	67		5	5		https://www.kekelit.com/en_int/brands/	1	No
KE KELIT	KE KELIT COPPERFIX	Circular Coupling	COF410 Coupling	52600JJ0		76	76		5	5		https://www.kekelit.com/en_int/brands/	1	No
KE KELIT	KE KELIT COPPERFIX	Circular Coupling	COF410 Coupling	52600KK0		89	89		8	8		https://www.kekelit.com/en_int/brands/	1	No
KE KELIT	KE KELIT COPPERFIX	Circular Coupling	COF410 Coupling	52600LL0		108	108		5	5		https://www.kekelit.com/en_int/brands/	1	No
KE KELIT	KE KELIT COPPERFIX	Circular Reducer	COF411 Reducing nipple	52601BA0		15	12		20	7	4	https://www.kekelit.com/en_int/brands/	1	No
KE KELIT	KE KELIT COPPERFIX	Circular Reducer	COF411 Reducing nipple	52601CB0		18	15		20	7	4	https://www.kekelit.com/en_int/brands/	1	No
KE KELIT	KE KELIT COPPERFIX	Circular Reducer	COF411 Reducing nipple	52601DC0		22	15		21	11	4	https://www.kekelit.com/en_int/brands/	1	No
KE KELIT	KE KELIT COPPERFIX	Circular Reducer	COF411 Reducing nipple	52601DD0		22	18		21	9	4	https://www.kekelit.com/en_int/brands/	1	No
KE KELIT	KE KELIT COPPERFIX	Circular Reducer	COF411 Reducing nipple	52601ED0		28	15		23	18	4	https://www.kekelit.com/en_int/brands/	1	No
KE KELIT	KE KELIT COPPERFIX	Circular Reducer	COF411 Reducing nipple	52601EE0		28	18		23	16	4	https://www.kekelit.com/en_int/brands/	1	No
KE KELIT	KE KELIT COPPERFIX	Circular Reducer	COF411 Reducing nipple	52601ED0		28	22		23	11	4	https://www.kekelit.com/en_int/brands/	1	No
KE KELIT	KE KELIT COPPERFIX	Circular Reducer	COF411 Reducing nipple	52601FD0		35	22		26	22	9	https://www.kekelit.com/en_int/brands/	1	No

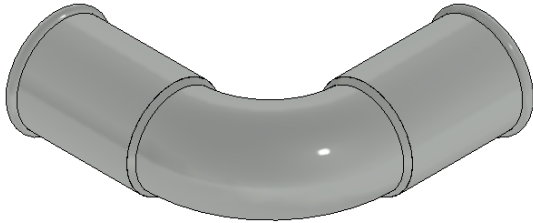
<PI_General_BOM_Pipes>									
A	B	C	D	E	F	G	H	I	J
Manufacturer	Product Line	Article Type	Manufacturer Art. No.	GTIN	Length	Diameter	Size	Manufacturer URL	Cost
KE KELIT	KE KELIT COPPERFIX	EN1057 Pipe 6m			1.90 m	15.0 mm	15 mme		
					1.90 m				



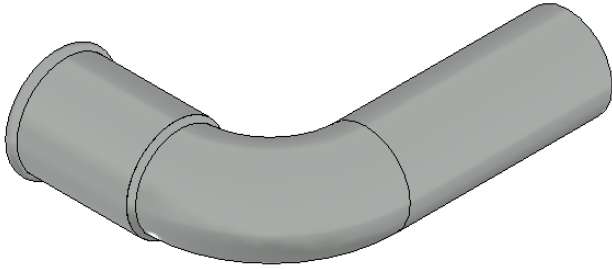
Table of components

- Bend

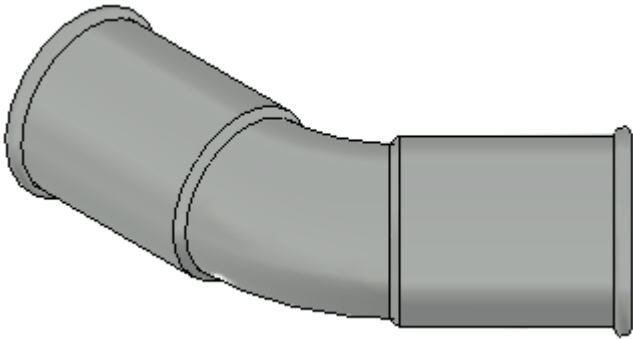
M_Bend_Circular_MEPcontent_KE KELIT COPPERFIX_2S.rfa



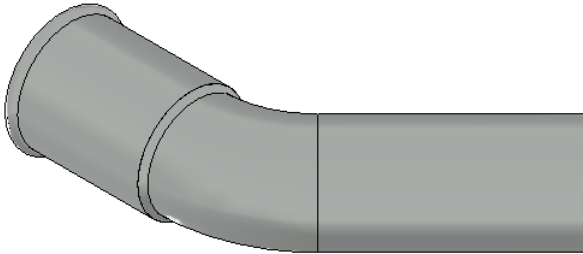
Manufacturer	Article Description	Article Type	Manufacturer Art. No.	Diameter 1	Diameter 2
KE KELIT	Circular Bend	COF420 Elbow 90°	52615BB0	15	15
KE KELIT	Circular Bend	COF420 Elbow 90°	52615CC0	18	18
KE KELIT	Circular Bend	COF420 Elbow 90°	52615DD0	22	22
KE KELIT	Circular Bend	COF420 Elbow 90°	52615EE0	28	28
KE KELIT	Circular Bend	COF420 Elbow 90°	52615FF0	35	35
KE KELIT	Circular Bend	COF420 Elbow 90°	52615GG0	42	42
KE KELIT	Circular Bend	COF420 Elbow 90°	52615HH0	54	54
KE KELIT	Circular Bend	COF420 Elbow 90°	52615II0	66.7	66.7
KE KELIT	Circular Bend	COF420 Elbow 90°	52615JJ0	76.1	76.1
KE KELIT	Circular Bend	COF420 Elbow 90°	52615KK0	88.9	88.9
KE KELIT	Circular Bend	COF420 Elbow 90°	52615LL0	108	108



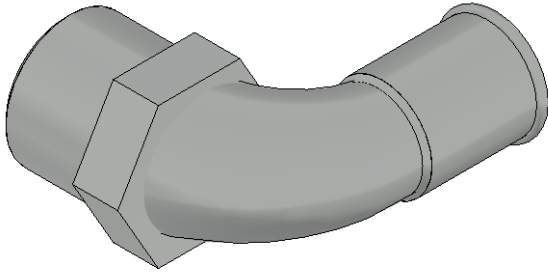
Manufacturer	Article Description	Article Type	Manufacturer Art. No.	Diameter 1	Diameter 2
KE KELIT	Circular Bend	COF421 Elbow 90° M/F	52616BB0	15	15
KE KELIT	Circular Bend	COF421 Elbow 90° M/F	52616CC0	18	18
KE KELIT	Circular Bend	COF421 Elbow 90° M/F	52616DD0	22	22
KE KELIT	Circular Bend	COF421 Elbow 90° M/F	52616EE0	28	28
KE KELIT	Circular Bend	COF421 Elbow 90° M/F	52616FF0	35	35
KE KELIT	Circular Bend	COF421 Elbow 90° M/F	52616GG0	42	42
KE KELIT	Circular Bend	COF421 Elbow 90° M/F	52616HH0	54	54
KE KELIT	Circular Bend	COF421 Elbow 90° M/F	52616II0	66.7	66.7
KE KELIT	Circular Bend	COF421 Elbow 90° M/F	52616JJ0	76.1	76.1
KE KELIT	Circular Bend	COF421 Elbow 90° M/F	52616KK0	88.9	88.9
KE KELIT	Circular Bend	COF421 Elbow 90° M/F	52616LL0	108	108



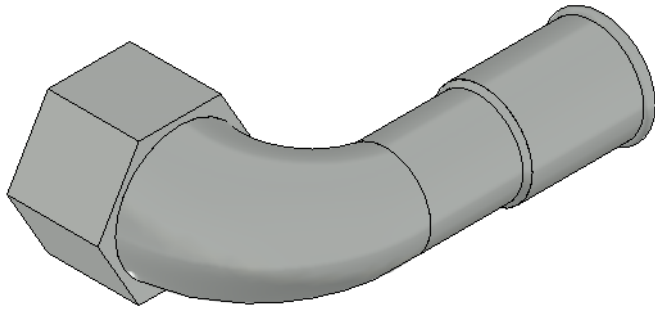
Manufacturer	Article Description	Article Type	Manufacturer Art. No.	Diameter 1	Diameter 2
KE KELIT	Circular Bend	COF425 Elbow 45°	52620BB0	15	15
KE KELIT	Circular Bend	COF425 Elbow 45°	52620CC0	18	18
KE KELIT	Circular Bend	COF425 Elbow 45°	52620DD0	22	22
KE KELIT	Circular Bend	COF425 Elbow 45°	52620EE0	28	28
KE KELIT	Circular Bend	COF425 Elbow 45°	52620FF0	35	35
KE KELIT	Circular Bend	COF425 Elbow 45°	52620GG0	42	42
KE KELIT	Circular Bend	COF425 Elbow 45°	52620HH0	54	54
KE KELIT	Circular Bend	COF425 Elbow 45°	52620II0	66.7	66.7
KE KELIT	Circular Bend	COF425 Elbow 45°	52620JJ0	76.1	76.1
KE KELIT	Circular Bend	COF425 Elbow 45°	52620KK0	88.9	88.9
KE KELIT	Circular Bend	COF425 Elbow 45°	52620LL0	108	108



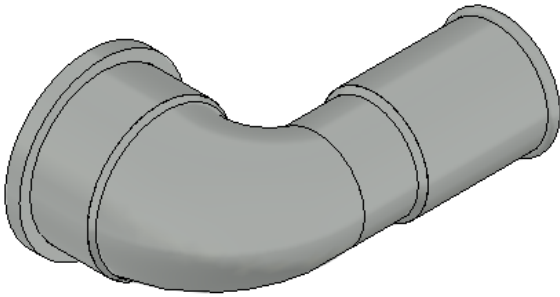
Manufacturer	Article Description	Article Type	Manufacturer Art. No.	Diameter 1	Diameter 2
KE KELIT	Circular Bend	COF426 Elbow 45° M/F	52621BB0	15	15
KE KELIT	Circular Bend	COF426 Elbow 45° M/F	52621CC0	18	18
KE KELIT	Circular Bend	COF426 Elbow 45° M/F	52621DD0	22	22
KE KELIT	Circular Bend	COF426 Elbow 45° M/F	52621EE0	28	28
KE KELIT	Circular Bend	COF426 Elbow 45° M/F	52621FF0	35	35
KE KELIT	Circular Bend	COF426 Elbow 45° M/F	52621GG0	42	42
KE KELIT	Circular Bend	COF426 Elbow 45° M/F	52621HH0	54	54
KE KELIT	Circular Bend	COF426 Elbow 45° M/F	52621II0	66.7	66.7
KE KELIT	Circular Bend	COF426 Elbow 45° M/F	52621JJ0	76.1	76.1
KE KELIT	Circular Bend	COF426 Elbow 45° M/F	52621KK0	88.9	88.9
KE KELIT	Circular Bend	COF426 Elbow 45° M/F	52621LL0	108	108



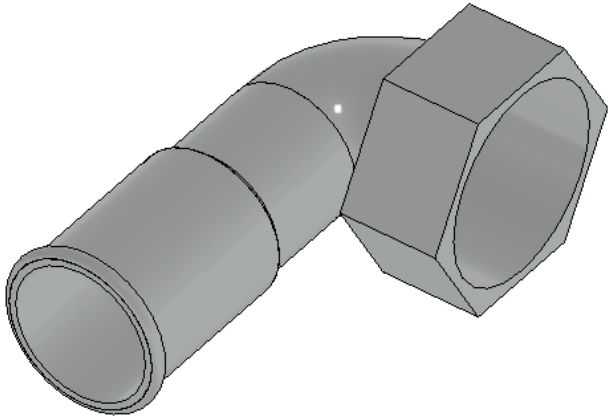
Manufacturer	Article Description	Article Type	Manufacturer Art. No.	Diameter 1	Diameter 2
KE KELIT	Circular Bend	COF460 Elbow adaptor 90° with M thr.	52712B02	1/2"	15
KE KELIT	Circular Bend	COF460 Elbow adaptor 90° with M thr.	52712C02	1/2"	18
KE KELIT	Circular Bend	COF460 Elbow adaptor 90° with M thr.	52712D04	3/4"	22
KE KELIT	Circular Bend	COF460 Elbow adaptor 90° with M thr.	52712E05	1"	28
KE KELIT	Circular Bend	COF460 Elbow adaptor 90° with M thr.	52712F06	1 1/4"	35
KE KELIT	Circular Bend	COF460 Elbow adaptor 90° with M thr.	52712G07	1 1/2"	42
KE KELIT	Circular Bend	COF460 Elbow adaptor 90° with M thr.	52712H09	2"	54



Manufacturer	Article Description	Article Type	Manufacturer Art. No.	Diameter 1	Diameter 2
KE KELIT	Circular Bend	COF465 Elbow adaptor 90° with F thr.	52748B02	1/2"	15
KE KELIT	Circular Bend	COF465 Elbow adaptor 90° with F thr.	52748C02	1/2"	18
KE KELIT	Circular Bend	COF465 Elbow adaptor 90° with F thr.	52748D04	3/4"	22
KE KELIT	Circular Bend	COF465 Elbow adaptor 90° with F thr.	52748E05	1"	28



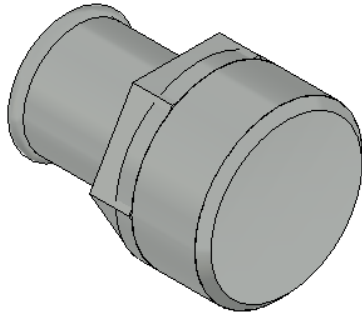
Manufacturer	Article Description	Article Type	Manufacturer Art. No.	Diameter 1	Diameter 2
KE KELIT	Circular Bend	COF467 Elbow adaptor 90° with F thr.	52716B02	1/2"	15
KE KELIT	Circular Bend	COF467 Elbow adaptor 90° with F thr.	52716C02	1/2"	18
KE KELIT	Circular Bend	COF467 Elbow adaptor 90° with F thr.	52716D04	3/4"	22
KE KELIT	Circular Bend	COF467 Elbow adaptor 90° with F thr.	52716E05	1"	28
KE KELIT	Circular Bend	COF467 Elbow adaptor 90° with F thr.	52716F06	1 1/4"	35
KE KELIT	Circular Bend	COF467 Elbow adaptor 90° with F thr.	52716G07	1 1/2"	42
KE KELIT	Circular Bend	COF467 Elbow adaptor 90° with F thr.	52716H09	2"	54



Manufacturer	Article Description	Article Type	Manufacturer Art. No.	Diameter 1	Diameter 2
KE KELIT	Circular Bend	COF480 Wall bracket 90° with F thr.	52750B02	1/2"	15
KE KELIT	Circular Bend	COF480 Wall bracket 90° with F thr.	52750C02	1/2"	18
KE KELIT	Circular Bend	COF480 Wall bracket 90° with F thr.	52750D04	3/4"	22

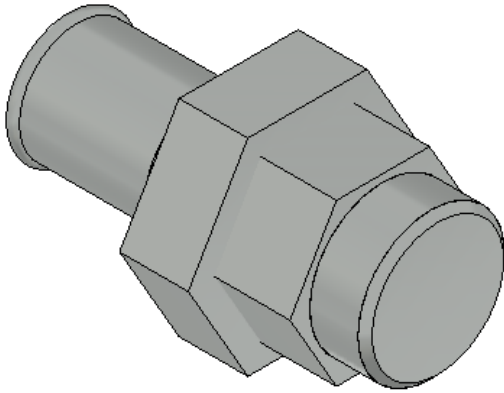
- **Connection**

M_Connection Piece_Circular Nut_MEPcontent_KE KELIT COPPERFIX_COF450.rfa



Manufacturer	Article Description	Article Type	Manufacturer Art. No.	Diameter 1	Diameter 2
KE KELIT	Circular Connection Piece	COF450 Adaptor with M thr.	52702A02	12	1/2"
KE KELIT	Circular Connection Piece	COF450 Adaptor with M thr.	52702B02	15	1/2"
KE KELIT	Circular Connection Piece	COF450 Adaptor with M thr.	52702B04	15	3/4"
KE KELIT	Circular Connection Piece	COF450 Adaptor with M thr.	52702C02	18	1/2"
KE KELIT	Circular Connection Piece	COF450 Adaptor with M thr.	52702C04	18	3/4"
KE KELIT	Circular Connection Piece	COF450 Adaptor with M thr.	52702D02	22	1/2"
KE KELIT	Circular Connection Piece	COF450 Adaptor with M thr.	52702D04	22	3/4"

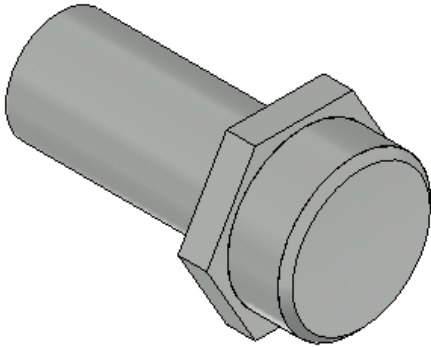
Manufacturer	Article Description	Article Type	Manufacturer Art. No.	Diameter 1	Diameter 2
KE KELIT	Circular Connection Piece	COF450 Adaptor with M thr.	52702D05	22	1"
KE KELIT	Circular Connection Piece	COF450 Adaptor with M thr.	52702E04	28	3/4"
KE KELIT	Circular Connection Piece	COF450 Adaptor with M thr.	52702E05	28	1"
KE KELIT	Circular Connection Piece	COF450 Adaptor with M thr.	52702F05	35	1"
KE KELIT	Circular Connection Piece	COF450 Adaptor with M thr.	52702F06	35	1 1/4"
KE KELIT	Circular Connection Piece	COF450 Adaptor with M thr.	52702G06	42	1 1/4"
KE KELIT	Circular Connection Piece	COF450 Adaptor with M thr.	52702G07	42	1 1/2"
KE KELIT	Circular Connection Piece	COF450 Adaptor with M thr.	52702H09	54	2"
KE KELIT	Circular Connection Piece	COF450 Adaptor with M thr.	52702I12	66.7	2 1/2"



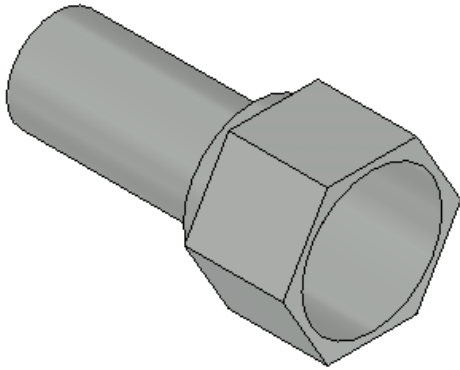
Manufacturer	Article Description	Article Type	Manufacturer Art. No.	Diameter 1	Diameter 2
KE KELIT	Circular Connection Piece	COF451 Union with M thr.	52741B02	15	1/2"
KE KELIT	Circular Connection Piece	COF451 Union with M thr.	52741B04	15	3/4"
KE KELIT	Circular Connection Piece	COF451 Union with M thr.	52741C02	18	1/2"
KE KELIT	Circular Connection Piece	COF451 Union with M thr.	52741C04	18	3/4"
KE KELIT	Circular Connection Piece	COF451 Union with M thr.	52741D04	22	3/4"
KE KELIT	Circular Connection Piece	COF451 Union with M thr.	52741E04	28	1"
KE KELIT	Circular Connection Piece	COF451 Union with M thr.	52741E05	28	3/4"
KE KELIT	Circular Connection Piece	COF451 Union with M thr.	52741F06	35	1 1/4"
KE KELIT	Circular Connection Piece	COF451 Union with M thr.	52741G07	42	1 1/2"

Manufacturer	Article Description	Article Type	Manufacturer Art. No.	Diameter 1	Diameter 2
KE KELIT	Circular Connection Piece	COF451 Union with M thr.	52741H09	54	2"



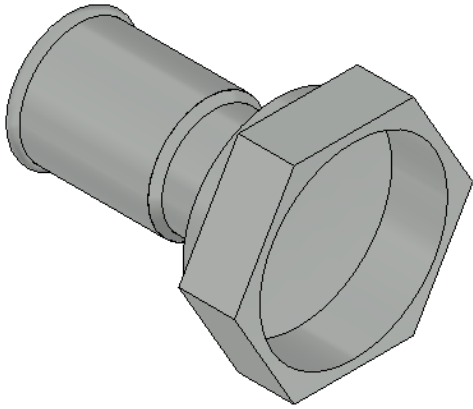


Manufacturer	Article Description	Article Type	Manufacturer Art. No.	Diameter 1	Diameter 2
KE KELIT	Circular Connection Piece	COF453 Connector straight with M thr.	52704B02	15	1/2"
KE KELIT	Circular Connection Piece	COF453 Connector straight with M thr.	52704C02	18	1/2"
KE KELIT	Circular Connection Piece	COF453 Connector straight with M thr.	52704C04	18	3/4"
KE KELIT	Circular Connection Piece	COF453 Connector straight with M thr.	52704D02	22	1/2"
KE KELIT	Circular Connection Piece	COF453 Connector straight with M thr.	52704D04	22	3/4"
KE KELIT	Circular Connection Piece	COF453 Connector straight with M thr.	52704E05	28	1"
KE KELIT	Circular Connection Piece	COF453 Connector straight with M thr.	52704F06	35	1 1/4"
KE KELIT	Circular Connection Piece	COF453 Connector straight with M thr.	52704G07	42	1 1/2"

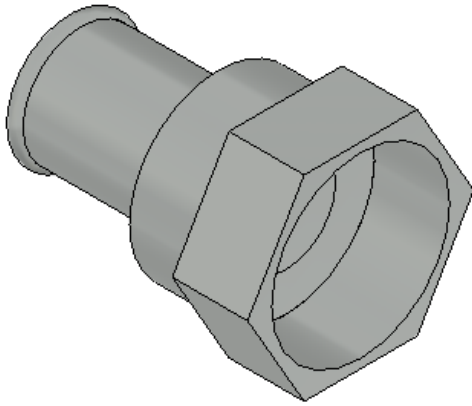


Manufacturer	Article Description	Article Type	Manufacturer Art. No.	Diameter 1	Diameter 2
KE KELIT	Circular Connection Piece	COF454 Connector straight with F thr.	52705B02	15	1/2"
KE KELIT	Circular Connection Piece	COF454 Connector straight with F thr.	52705C02	18	1/2"
KE KELIT	Circular Connection Piece	COF454 Connector straight with F thr.	52705C04	18	3/4"
KE KELIT	Circular Connection Piece	COF454 Connector straight with F thr.	52705D02	22	1/2"
KE KELIT	Circular Connection Piece	COF454 Connector straight with F thr.	52705D04	22	3/4"
KE KELIT	Circular Connection Piece	COF454 Connector straight with F thr.	52705E05	28	1"
KE KELIT	Circular Connection Piece	COF454 Connector straight with F thr.	52705F05	35	1"
KE KELIT	Circular Connection Piece	COF454 Connector straight with F thr.	52705F06	35	1 1/4"

Manufacturer	Article Description	Article Type	Manufacturer Art. No.	Diameter 1	Diameter 2
KE KELIT	Circular Connection Piece	COF454 Connector straight with F thr.	52705G07	42	1 1/2"
KE KELIT	Circular Connection Piece	COF454 Connector straight with F thr.	52705H09	54	2"

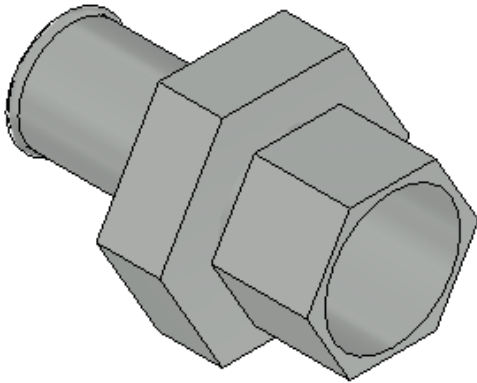


Manufacturer	Article Description	Article Type	Manufacturer Art. No.	Diameter 1	Diameter 2
KE KELIT	Circular Connection Piece	COF455 Screw connection with F thr.	52703B04	15	3/4"
KE KELIT	Circular Connection Piece	COF455 Screw connection with F thr.	52703C04	18	3/4"
KE KELIT	Circular Connection Piece	COF455 Screw connection with F thr.	52703D05	22	1"
KE KELIT	Circular Connection Piece	COF455 Screw connection with F thr.	52703E06	28	1 1/4"
KE KELIT	Circular Connection Piece	COF455 Screw connection with F thr.	52703F07	35	1 1/2"
KE KELIT	Circular Connection Piece	COF455 Screw connection with F thr.	52703G08	42	1 3/4"



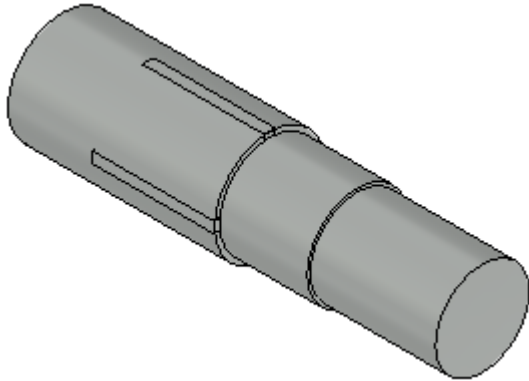
Manufacturer	Article Description	Article Type	Manufacturer Art. No.	Diameter 1	Diameter 2
KE KELIT	Circular Connection Piece	COF457 Adaptor with F thr.	52706A02	12	1/2"
KE KELIT	Circular Connection Piece	COF457 Adaptor with F thr.	52706B02	15	1/2"
KE KELIT	Circular Connection Piece	COF457 Adaptor with F thr.	52706B04	15	3/4"
KE KELIT	Circular Connection Piece	COF457 Adaptor with F thr.	52706C02	18	1/2"
KE KELIT	Circular Connection Piece	COF457 Adaptor with F thr.	52706C04	18	3/4"
KE KELIT	Circular Connection Piece	COF457 Adaptor with F thr.	52706D02	22	1/2"
KE KELIT	Circular Connection Piece	COF457 Adaptor with F thr.	52706D04	22	3/4"
KE KELIT	Circular Connection Piece	COF457 Adaptor with F thr.	52706E04	28	3/4"

Manufacturer	Article Description	Article Type	Manufacturer Art. No.	Diameter 1	Diameter 2
KE KELIT	Circular Connection Piece	COF457 Adaptor with F thr.	52706E05	28	1"
KE KELIT	Circular Connection Piece	COF457 Adaptor with F thr.	52706F05	35	1"
KE KELIT	Circular Connection Piece	COF457 Adaptor with F thr.	52706F06	35	1 1/4"
KE KELIT	Circular Connection Piece	COF457 Adaptor with F thr.	52706G06	42	1 1/4"
KE KELIT	Circular Connection Piece	COF457 Adaptor with F thr.	52706G07	42	1 1/2"
KE KELIT	Circular Connection Piece	COF457 Adaptor with F thr.	52706H09	54	2"

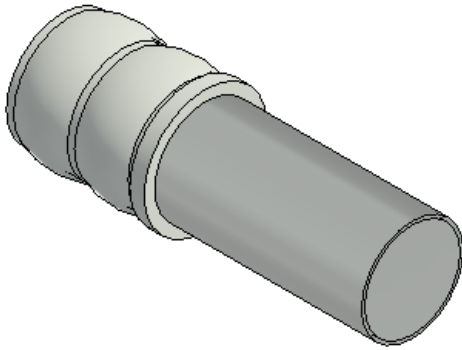


Manufacturer	Article Description	Article Type	Manufacturer Art. No.	Diameter 1	Diameter 2
KE KELIT	Circular Connection Piece	COF466 Union with F thr.	52742B02	15	1/2"
KE KELIT	Circular Connection Piece	COF466 Union with F thr.	52742B04	15	3/4"
KE KELIT	Circular Connection Piece	COF466 Union with F thr.	52742C02	18	1/2"
KE KELIT	Circular Connection Piece	COF466 Union with F thr.	52742C04	18	3/4"
KE KELIT	Circular Connection Piece	COF466 Union with F thr.	52742D04	22	3/4"
KE KELIT	Circular Connection Piece	COF466 Union with F thr.	52742E05	28	1"
KE KELIT	Circular Connection Piece	COF466 Union with F thr.	52742F06	35	1 1/4"

Manufacturer	Article Description	Article Type	Manufacturer Art. No.	Diameter 1	Diameter 2
KE KELIT	Circular Connection Piece	COF466 Union with F thr.	52742G07	42	1 1/2"
KE KELIT	Circular Connection Piece	COF466 Union with F thr.	52742H09	54	2"



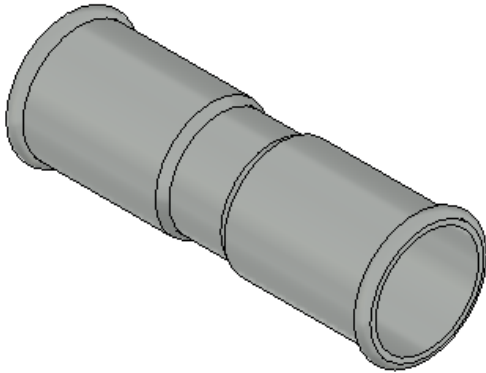
Manufacturer	Article Description	Article Type	Manufacturer Art. No.	Diameter 1	Diameter 2
KE KELIT	Circular Connection Piece	KMP489 PROTEC-STEELFIX Adaptor	73272BB0	16	15
KE KELIT	Circular Connection Piece	KMP489 PROTEC-STEELFIX Adaptor	73272CD0	20	18
KE KELIT	Circular Connection Piece	KMP489 PROTEC-STEELFIX Adaptor	73272DD0	20	22
KE KELIT	Circular Connection Piece	KMP489 PROTEC-STEELFIX Adaptor	73272DE0	25	22
KE KELIT	Circular Connection Piece	KMP489 PROTEC-STEELFIX Adaptor	73272EF0	32	28



Manufacturer	Article Description	Article Type	Manufacturer Art. No.	Diameter 1	Diameter 2
KE KELIT	Circular Connection Piece	KMU489 ULTRAX-STEELFIX Adaptor	53272BB0	16	15
KE KELIT	Circular Connection Piece	KMU489 ULTRAX-STEELFIX Adaptor	53272CD0	20	18
KE KELIT	Circular Connection Piece	KMU489 ULTRAX-STEELFIX Adaptor	53272DD0	20	22
KE KELIT	Circular Connection Piece	KMU489 ULTRAX-STEELFIX Adaptor	53272DE0	25	22
KE KELIT	Circular Connection Piece	KMU489 ULTRAX-STEELFIX Adaptor	53272EF0	32	28
KE KELIT	Circular Connection Piece	KMU489 ULTRAX-STEELFIX Adaptor	53272FG0	40	35

- Coupling

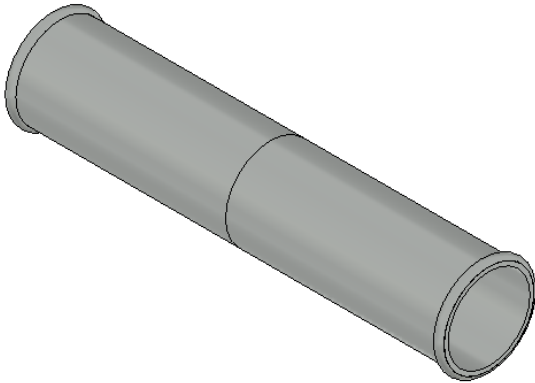
M_Coupling_Circular_MEPcontent_KE KELIT COPPERFIX_COF410.rfa



Manufacturer	Article Description	Article Type	Manufacturer Art. No.	Diameter 1	Diameter 2
KE KELIT	Circular Coupling	COF410 Coupling	52600AA0	12	12
KE KELIT	Circular Coupling	COF410 Coupling	52600BB0	15	15
KE KELIT	Circular Coupling	COF410 Coupling	52600CC0	18	18
KE KELIT	Circular Coupling	COF410 Coupling	52600DD0	22	22
KE KELIT	Circular Coupling	COF410 Coupling	52600EE0	28	28
KE KELIT	Circular Coupling	COF410 Coupling	52600FF0	35	35
KE KELIT	Circular Coupling	COF410 Coupling	52600GG0	42	42
KE KELIT	Circular Coupling	COF410 Coupling	52600HH0	54	54
KE KELIT	Circular Coupling	COF410 Coupling	52600II0	66.7	66.7
KE KELIT	Circular Coupling	COF410 Coupling	52600JJ0	76.1	76.1

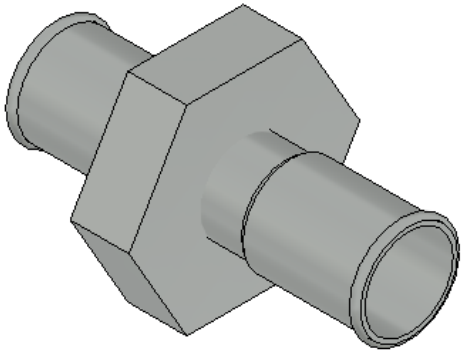
Manufacturer	Article Description	Article Type	Manufacturer Art. No.	Diameter 1	Diameter 2
KE KELIT	Circular Coupling	COF410 Coupling	52600KK0	88.9	88.9
KE KELIT	Circular Coupling	COF410 Coupling	52600LL0	108	108





Manufacturer	Article Description	Article Type	Manufacturer Art. No.	Diameter 1	Diameter 2
KE KELIT	Circular Coupling	COF415 Repair coupling	52605BB0	15	15
KE KELIT	Circular Coupling	COF415 Repair coupling	52605CC0	18	18
KE KELIT	Circular Coupling	COF415 Repair coupling	52605DD0	22	22
KE KELIT	Circular Coupling	COF415 Repair coupling	52605EE0	28	28
KE KELIT	Circular Coupling	COF415 Repair coupling	52605FF0	35	35
KE KELIT	Circular Coupling	COF415 Repair coupling	52605GG0	42	42
KE KELIT	Circular Coupling	COF415 Repair coupling	52605HH0	54	54

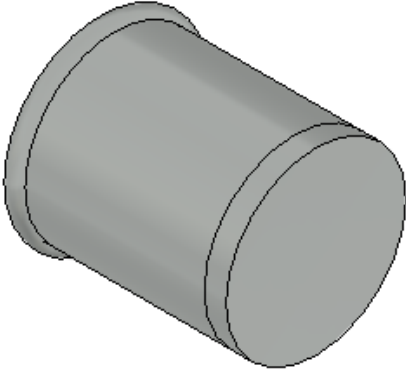
Manufacturer	Article Description	Article Type	Manufacturer Art. No.	Diameter 1	Diameter 2
KE KELIT	Circular Coupling	COF415 Repair coupling	52605IIO	66.7	66.7
KE KELIT	Circular Coupling	COF415 Repair coupling	52605JJ0	76.1	76.1
KE KELIT	Circular Coupling	COF415 Repair coupling	52605KK0	88.9	88.9
KE KELIT	Circular Coupling	COF415 Repair coupling	52605LLO	108	108



Manufacturer	Article Description	Article Type	Manufacturer Art. No.	Diameter 1	Diameter 2
KE KELIT	Circular Coupling	COF456 Union	52746BB0	15	15
KE KELIT	Circular Coupling	COF456 Union	52746CC0	18	18
KE KELIT	Circular Coupling	COF456 Union	52746DD0	22	22
KE KELIT	Circular Coupling	COF456 Union	52746EE0	28	28
KE KELIT	Circular Coupling	COF456 Union	52746FF0	35	35
KE KELIT	Circular Coupling	COF456 Union	52746GG0	42	42
KE KELIT	Circular Coupling	COF456 Union	52746HH0	54	54

- End Piece

M_End Piece Cover_Circular Flat_MEPcontent_KE KELIT COPPERFIX_COF471.rfa



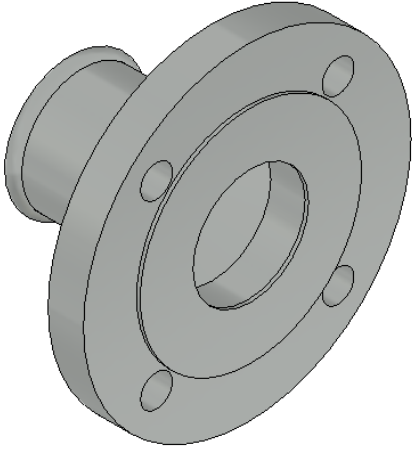
Manufacturer	Article Description	Article Type	Manufacturer Art. No.	Diameter 1
KE KELIT	Circular Cover End Piece	COF471 Cap	52735B00	15
KE KELIT	Circular Cover End Piece	COF471 Cap	52735C00	18
KE KELIT	Circular Cover End Piece	COF471 Cap	52735D00	22
KE KELIT	Circular Cover End Piece	COF471 Cap	52735E00	28
KE KELIT	Circular Cover End Piece	COF471 Cap	52735F00	35
KE KELIT	Circular Cover End Piece	COF471 Cap	52735G00	42
KE KELIT	Circular Cover End Piece	COF471 Cap	52735H00	54
KE KELIT	Circular Cover End Piece	COF471 Cap	52735I00	66.7
KE KELIT	Circular Cover End Piece	COF471 Cap	52735J00	76.1
KE KELIT	Circular Cover End Piece	COF471 Cap	52735K00	88.9

Manufacturer	Article Description	Article Type	Manufacturer Art. No.	Diameter 1
KE KELIT	Circular Cover End Piece	COF471 Cap	52735L00	108



- Flange

M_Flange_Circular_MEPcontent_KE KELIT COPPERFIX_COF486.rfa

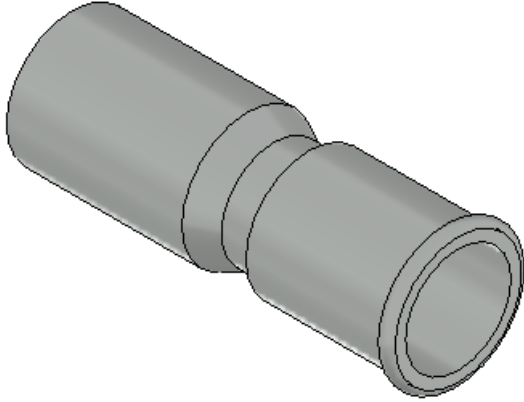


Manufacturer	Article Description	Article Type	Manufacturer Art. No.	Diameter 1	Diameter 2
KE KELIT	Flange Circular	COF486 Adaptor flange	52755I00	66.7	DN65
KE KELIT	Flange Circular	COF486 Adaptor flange	52755J00	76.1	DN65
KE KELIT	Flange Circular	COF486 Adaptor flange	52755K00	88.9	DN80
KE KELIT	Flange Circular	COF486 Adaptor flange	52755L00	108	DN100
KE KELIT	Flange Circular	COF486 Adaptor flange	52755I00	66.7	DN65
KE KELIT	Flange Circular	COF486 Adaptor flange	52755J00	76.1	DN65

Manufacturer	Article Description	Article Type	Manufacturer Art. No.	Diameter 1	Diameter 2
KE KELIT	Flange Circular	COF486 Adaptor flange	52755K00	88.9	DN80
KE KELIT	Flange Circular	COF486 Adaptor flange	52755L00	108	DN100

- Reducer

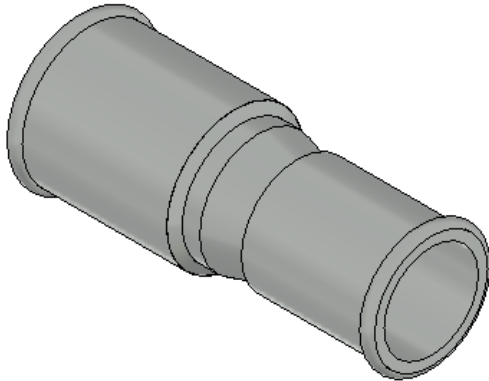
M_Reducer_Circular_MEPcontent_KE KELIT COPPERFIX_COF411.rfa



Manufacturer	Article Description	Article Type	Manufacturer Art. No.	Diameter 1	Diameter 2
KE KELIT	Circular Reducer	COF411 Reducing nipple	52601BA0	15	12
KE KELIT	Circular Reducer	COF411 Reducing nipple	52601CB0	18	15
KE KELIT	Circular Reducer	COF411 Reducing nipple	52601DB0	22	15
KE KELIT	Circular Reducer	COF411 Reducing nipple	52601DC0	22	18
KE KELIT	Circular Reducer	COF411 Reducing nipple	52601EB0	28	15
KE KELIT	Circular Reducer	COF411 Reducing nipple	52601EC0	28	18

Manufacturer	Article Description	Article Type	Manufacturer Art. No.	Diameter 1	Diameter 2
KE KELIT	Circular Reducer	COF411 Reducing nipple	52601ED0	28	22
KE KELIT	Circular Reducer	COF411 Reducing nipple	52601FD0	35	22
KE KELIT	Circular Reducer	COF411 Reducing nipple	52601FE0	35	28
KE KELIT	Circular Reducer	COF411 Reducing nipple	52601GD0	42	22
KE KELIT	Circular Reducer	COF411 Reducing nipple	52601GE0	42	28
KE KELIT	Circular Reducer	COF411 Reducing nipple	52601GF0	42	35
KE KELIT	Circular Reducer	COF411 Reducing nipple	52601HE0	54	28
KE KELIT	Circular Reducer	COF411 Reducing nipple	52601HF0	54	35
KE KELIT	Circular Reducer	COF411 Reducing nipple	52601HG0	54	42
KE KELIT	Circular Reducer	COF411 Reducing nipple	52601IG0	66.7	42
KE KELIT	Circular Reducer	COF411 Reducing nipple	52601IH0	66.7	54

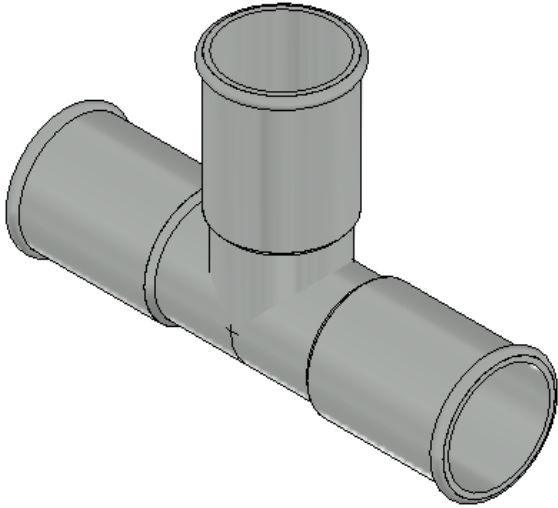
Manufacturer	Article Description	Article Type	Manufacturer Art. No.	Diameter 1	Diameter 2
KE KELIT	Circular Reducer	COF411 Reducing nipple	52601JF0	76.1	35
KE KELIT	Circular Reducer	COF411 Reducing nipple	52601JG0	76.1	42
KE KELIT	Circular Reducer	COF411 Reducing nipple	52601JH0	76.1	54
KE KELIT	Circular Reducer	COF411 Reducing nipple	52601JI0	76.1	66.7
KE KELIT	Circular Reducer	COF411 Reducing nipple	52601KG0	88.9	42
KE KELIT	Circular Reducer	COF411 Reducing nipple	52601KH0	88.9	54
KE KELIT	Circular Reducer	COF411 Reducing nipple	52601KJ0	88.9	76.1
KE KELIT	Circular Reducer	COF411 Reducing nipple	52601LG0	108	42
KE KELIT	Circular Reducer	COF411 Reducing nipple	52601LH0	108	54
KE KELIT	Circular Reducer	COF411 Reducing nipple	52601LJ0	108	76.1
KE KELIT	Circular Reducer	COF411 Reducing nipple	52601LK0	108	88.9



Manufacturer	Article Description	Article Type	Manufacturer Art. No.	Diameter 1	Diameter 2
KE KELIT	Circular Reducer	COF412 Reducer F/F	52602BA0	15	12
KE KELIT	Circular Reducer	COF412 Reducer F/F	52602DB0	22	15
KE KELIT	Circular Reducer	COF412 Reducer F/F	52602EB0	28	15
KE KELIT	Circular Reducer	COF412 Reducer F/F	52602ED0	28	22
KE KELIT	Circular Reducer	COF412 Reducer F/F	52602FE0	35	28
KE KELIT	Circular Reducer	COF412 Reducer F/F	52602GF0	42	35
KE KELIT	Circular Reducer	COF412 Reducer F/F	52602HG0	54	42

- Tee

M_Tee_Circular_MEPcontent_KE KELIT COPPERFIX_COF440.rfa



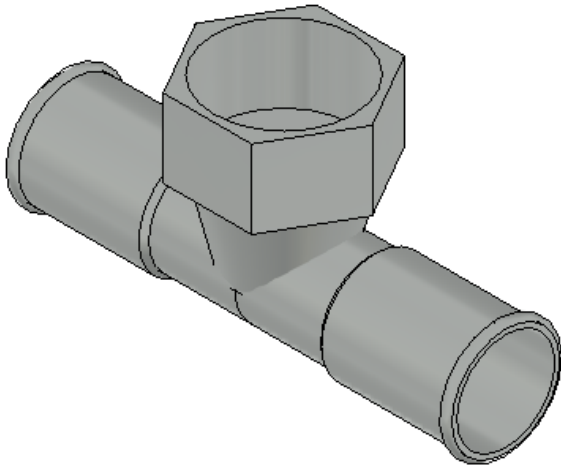
Manufacturer	Article Description	Article Type	Manufacturer Art. No.	Diameter 1	Diameter 2	Diameter 3
KE KELIT	Circular Tee	COF440 T-piece	52630BBB	15	15	15
KE KELIT	Circular Tee	COF440 T-piece	52630BCB	15	15	18
KE KELIT	Circular Tee	COF440 T-piece	52630BDB	15	15	22
KE KELIT	Circular Tee	COF440 T-piece	52630CBB	18	15	15
KE KELIT	Circular Tee	COF440 T-piece	52630CBC	18	18	15
KE KELIT	Circular Tee	COF440 T-piece	52630CCB	18	15	18

Manufacturer	Article Description	Article Type	Manufacturer Art. No.	Diameter 1	Diameter 2	Diameter 3
KE KELIT	Circular Tee	COF440 T-piece	52630CCC	18	18	18
KE KELIT	Circular Tee	COF440 T-piece	52630DBB	22	15	15
KE KELIT	Circular Tee	COF440 T-piece	52630DBD	22	22	15
KE KELIT	Circular Tee	COF440 T-piece	52630DCC	22	18	18
KE KELIT	Circular Tee	COF440 T-piece	52630DCD	22	22	18
KE KELIT	Circular Tee	COF440 T-piece	52630DDB	22	15	22
KE KELIT	Circular Tee	COF440 T-piece	52630DDC	22	18	22
KE KELIT	Circular Tee	COF440 T-piece	52630DDD	22	22	22
KE KELIT	Circular Tee	COF440 T-piece	52630DED	22	22	28
KE KELIT	Circular Tee	COF440 T-piece	52630EBE	28	28	15
KE KELIT	Circular Tee	COF440 T-piece	52630ECE	28	28	18
KE KELIT	Circular Tee	COF440 T-piece	52630EDD	28	22	22

Manufacturer	Article Description	Article Type	Manufacturer Art. No.	Diameter 1	Diameter 2	Diameter 3
KE KELIT	Circular Tee	COF440 T-piece	52630EDE	28	28	22
KE KELIT	Circular Tee	COF440 T-piece	52630EED	28	22	28
KE KELIT	Circular Tee	COF440 T-piece	52630EEE	28	28	28
KE KELIT	Circular Tee	COF440 T-piece	52630FBF	35	35	15
KE KELIT	Circular Tee	COF440 T-piece	52630FDF	35	35	22
KE KELIT	Circular Tee	COF440 T-piece	52630FEE	35	28	28
KE KELIT	Circular Tee	COF440 T-piece	52630FEF	35	35	28
KE KELIT	Circular Tee	COF440 T-piece	52630FFF	35	35	35
KE KELIT	Circular Tee	COF440 T-piece	52630GBG	42	42	15
KE KELIT	Circular Tee	COF440 T-piece	52630GDG	42	42	22
KE KELIT	Circular Tee	COF440 T-piece	52630GEG	42	42	28
KE KELIT	Circular Tee	COF440 T-piece	52630GFF	42	35	35

Manufacturer	Article Description	Article Type	Manufacturer Art. No.	Diameter 1	Diameter 2	Diameter 3
KE KELIT	Circular Tee	COF440 T-piece	52630GFG	42	42	35
KE KELIT	Circular Tee	COF440 T-piece	52630GGG	42	42	42
KE KELIT	Circular Tee	COF440 T-piece	52630HDH	54	54	22
KE KELIT	Circular Tee	COF440 T-piece	52630HEH	54	54	28
KE KELIT	Circular Tee	COF440 T-piece	52630HFH	54	54	35
KE KELIT	Circular Tee	COF440 T-piece	52630HGG	54	42	42
KE KELIT	Circular Tee	COF440 T-piece	52630HGH	54	54	42
KE KELIT	Circular Tee	COF440 T-piece	52630HHH	54	54	54
KE KELIT	Circular Tee	COF440 T-piece	52630IFI	66.7	66.7	35
KE KELIT	Circular Tee	COF440 T-piece	52630IGI	66.7	66.7	42
KE KELIT	Circular Tee	COF440 T-piece	52630IHI	66.7	66.7	54
KE KELIT	Circular Tee	COF440 T-piece	52630III	66.7	66.7	66.7

Manufacturer	Article Description	Article Type	Manufacturer Art. No.	Diameter 1	Diameter 2	Diameter 3
KE KELIT	Circular Tee	COF440 T-piece	52630JDJ	76.1	76.1	22
KE KELIT	Circular Tee	COF440 T-piece	52630JEJ	76.1	76.1	28
KE KELIT	Circular Tee	COF440 T-piece	52630JFJ	76.1	76.1	35
KE KELIT	Circular Tee	COF440 T-piece	52630JGJ	76.1	76.1	42
KE KELIT	Circular Tee	COF440 T-piece	52630JHJ	76.1	76.1	54
KE KELIT	Circular Tee	COF440 T-piece	52630JJJ	76.1	76.1	76.1
KE KELIT	Circular Tee	COF440 T-piece	52630KHK	88.9	88.9	54
KE KELIT	Circular Tee	COF440 T-piece	52630KJK	88.9	88.9	76.1
KE KELIT	Circular Tee	COF440 T-piece	52630KKK	88.9	88.9	88.9
KE KELIT	Circular Tee	COF440 T-piece	52630LIL	108	108	66.7
KE KELIT	Circular Tee	COF440 T-piece	52630LLL	108	108	108



Manufacturer	Article Description	Article Type	Manufacturer Art. No.	Diameter 1	Diameter 2	Diameter 3
KE KELIT	Circular Tee	COF447 T-piece with F thr. branch	52740B02	15	15	1/2"
KE KELIT	Circular Tee	COF447 T-piece with F thr. branch	52740C02	18	18	1/2"
KE KELIT	Circular Tee	COF447 T-piece with F thr. branch	52740D02	22	22	1/2"
KE KELIT	Circular Tee	COF447 T-piece with F thr. branch	52740E02	22	22	3/4"
KE KELIT	Circular Tee	COF447 T-piece with F thr. branch	52740D04	28	28	1/2"
KE KELIT	Circular Tee	COF447 T-piece with F thr. branch	52740E04	28	28	3/4"
KE KELIT	Circular Tee	COF447 T-piece with F thr. branch	52740F02	35	35	1/2"

Manufacturer	Article Description	Article Type	Manufacturer Art. No.	Diameter 1	Diameter 2	Diameter 3
KE KELIT	Circular Tee	COF447 T-piece with F thr. branch	52740G02	42	42	1/2"
KE KELIT	Circular Tee	COF447 T-piece with F thr. branch	52740H02	54	54	1/2"

