

MEPcontent

KE KELIT STEELOX

Modeling with KE KELIT STEELOX	2
Installation	2
Draw	3
Routing Preferences	3
1. Transition bends	5
2. Tags	5
Schedules	6
Table of components	7
• Bend	7
• Connection	24
• Coupling	29
• End Piece	30
• Reducer	31
• Tee	32

Modeling with KE KELIT STEELOX

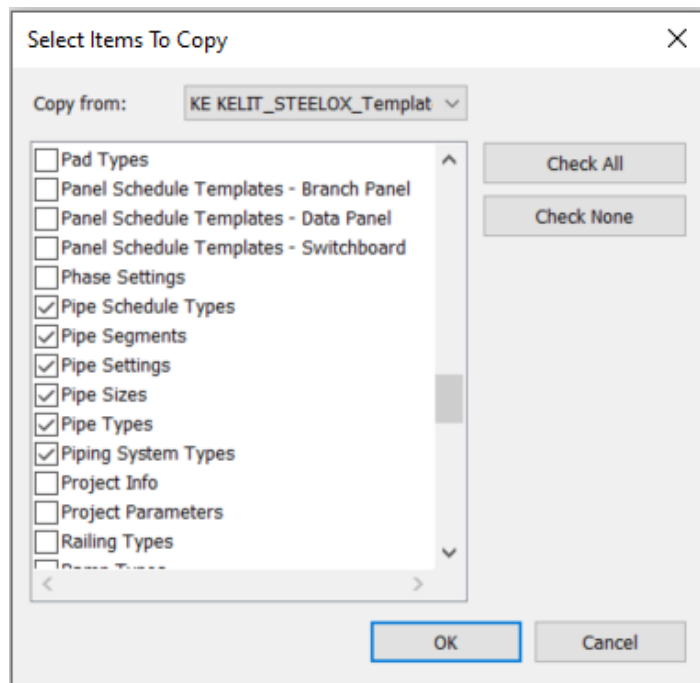
This manual describes how you can model with the product line of KE KELIT STEELOX in Revit 2021, 2022, 2023 or 2024. While drawing, the correct fittings (bends and connectors) are automatically inserted. In the template you can also find special fittings and equipment that you can place separately.

Installation

To draw with the product line of KE KELIT STEELOX, open the file *KE KELIT_STEEOX_Template_INT-EN.rvt*. This Revit template contains the product line and a number of predefined schedules.

If you want to draw in an existing project, you can copy the product line using *Transfer Project Standards* in Revit. That is done in the following way:

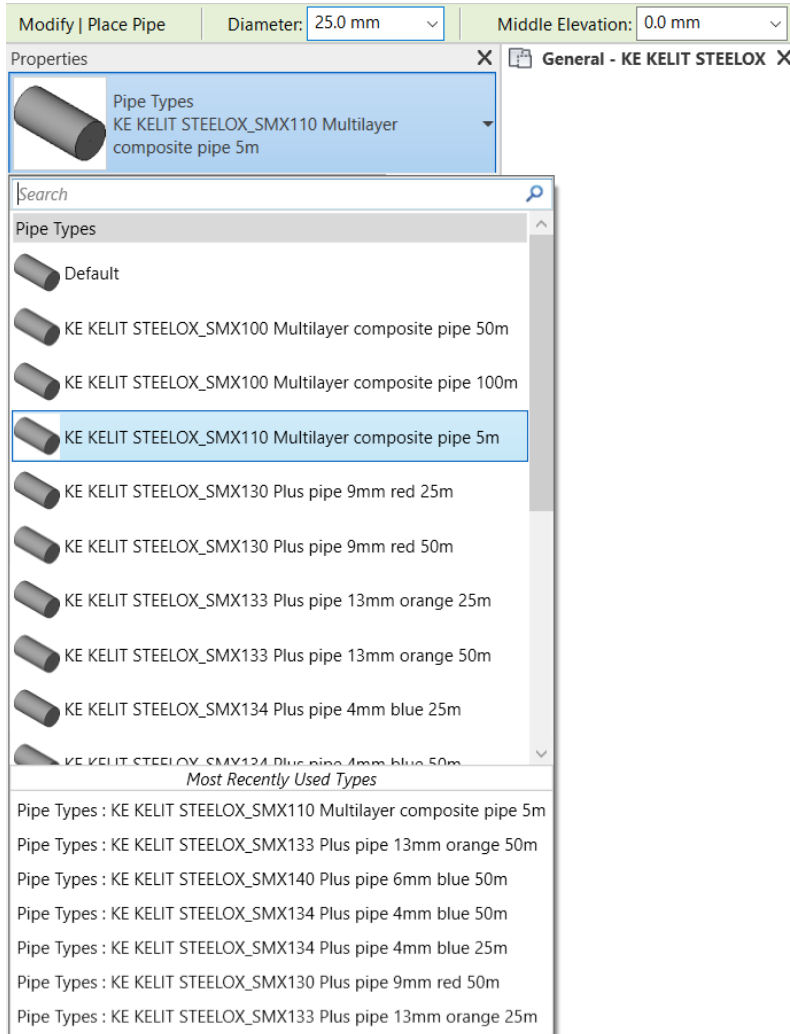
1. Open the existing project and the KE KELIT STEELOX template.
2. Activate the existing project.
3. On the tab *Manage*, panel *Settings*, select *Transfer Project Standards*.
4. At *Copy from*: select the template file, check the items as in the image below and click OK.



5. The product line is transferred from the template to the existing project.

Draw

When the product line is in the project, you can draw a pipe system the way you are used to via *Systems > Pipe*. In *Properties*, select the product line and dimensions.

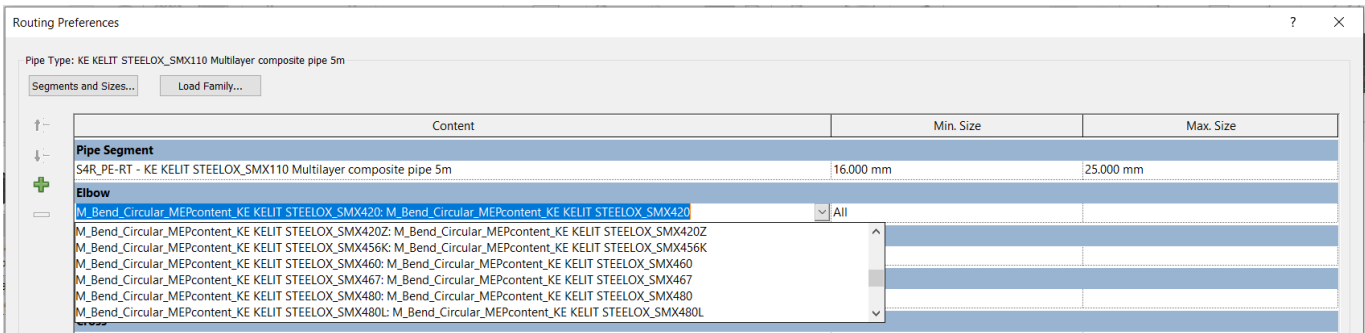
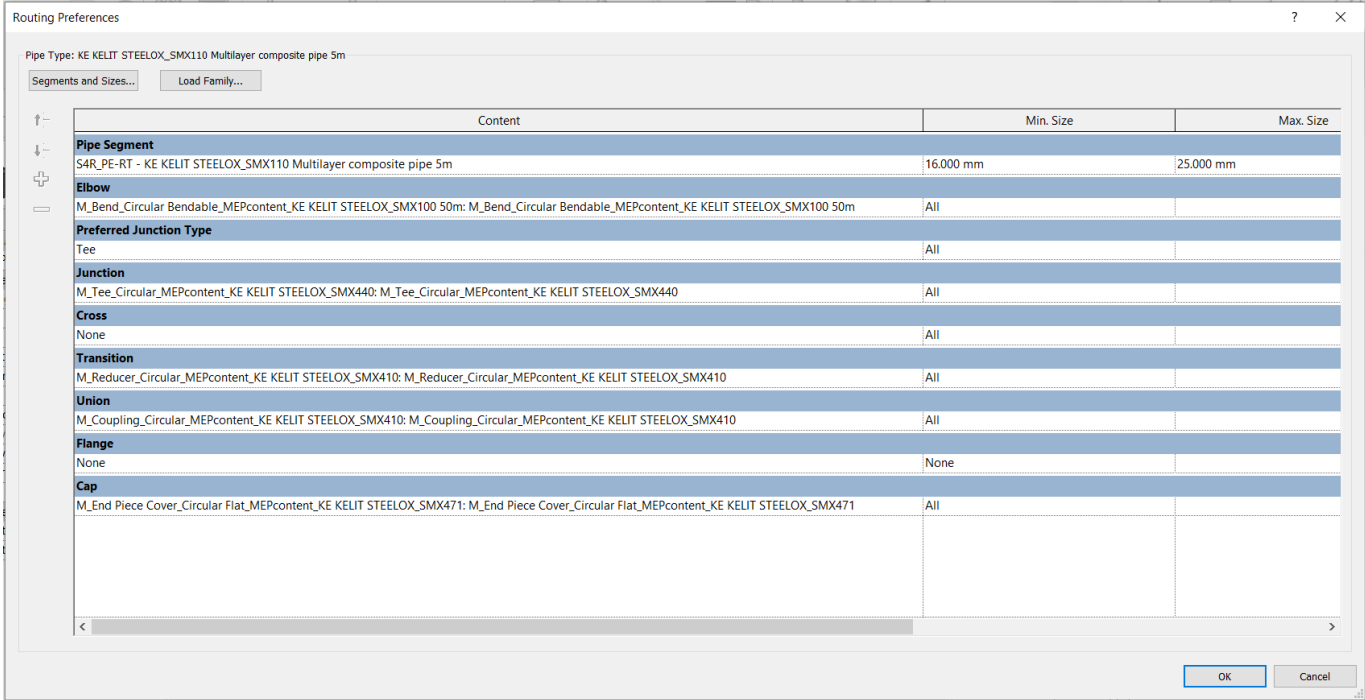


Next, model the system. KE KELIT STEELOX fittings with the correct article number are automatically added while drawing. Changing the pipes can be done the way you are used to in Revit: select the pipes and change the dimensions. The fittings are automatically adjusted.

For circular pipes a 90° bend is available in autorouting, also if the pipe is of the bendable type, bends will be created automatically from the pipe for the supported angles. However, if the system is drawn at different angles a custom bend will be generated. As these bends do not really exist, they are marked red in the model.

Routing Preferences

For Routing Preferences, all compatible fittings for the specific pipe are added and can be selected by the user preference in the drop-down menu, considering the available sizes of specific fitting.



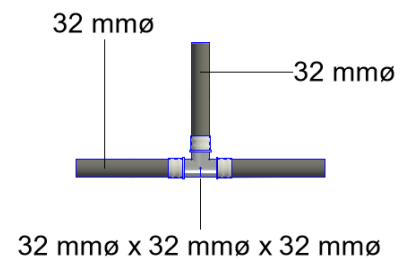
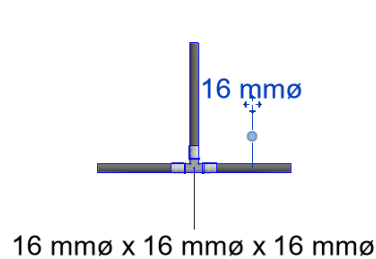
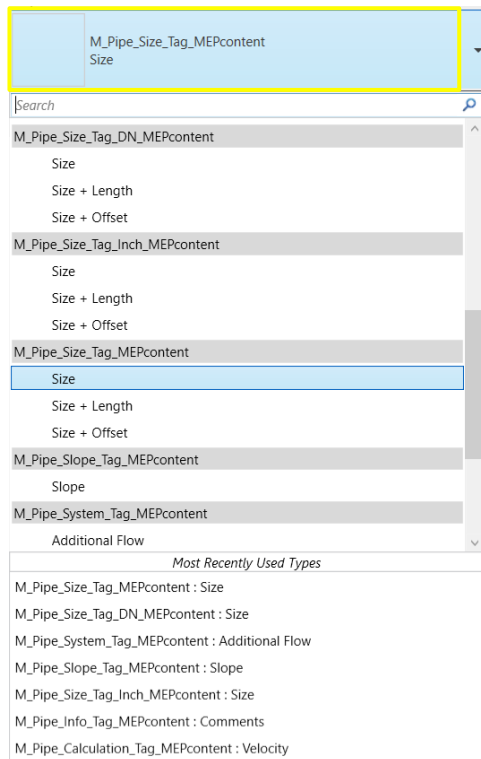
1. Transition bends

The transition bends (mm to inch) are found under "SMX460", "SMX467", "SMX456K", "SMX456K", "SMX480", "SMX480L", and "SMX480Z families. These bends work with Steel pipe which is added in the template.

- + M_Bend_Circular_MEPcontent_KE KELIT STEELOX_SMX420
- + M_Bend_Circular_MEPcontent_KE KELIT STEELOX_SMX420Z
- + M_Bend_Circular_MEPcontent_KE KELIT STEELOX_SMX456K
- + M_Bend_Circular_MEPcontent_KE KELIT STEELOX_SMX460
- + M_Bend_Circular_MEPcontent_KE KELIT STEELOX_SMX467
- + M_Bend_Circular_MEPcontent_KE KELIT STEELOX_SMX480
- + M_Bend_Circular_MEPcontent_KE KELIT STEELOX_SMX480L
- + M_Bend_Circular_MEPcontent_KE KELIT STEELOX_SMX480Z

2. Tags

The tag families for pipes are added, by pressing Tag by Category (TG) button and select the tag, for example size tag.



Schedules

The template contains two schedules for bills of materials for the fittings and pipes:

- PI_General_BOM_Pipe Fittings
- PI_General_BOM_Pipes

<PI_General_BOM_Pipe Fittings>													
A	B	C	D	E	F	G	H	I	J	K	L	M	N
Manufacturer	Product Line	Article Description	Article Type	Manufacturer Art. No.	GTIN	Nominal Diameter 1	Nominal Diameter 2	Nominal Diameter 3	L1	L2	L3	Manufacturer URL	Custom
KE KELIT	KE KELIT STEELOX	Circular Coupling	SMM410 Coupling equal	57100BB0		16	16		4	4		https://www.kekelit.com/en_int/brands/	No
KE KELIT	KE KELIT STEELOX	Circular Reducer	SMM410 Coupling reduced	57100DB0		20	16		3	3	1	https://www.kekelit.com/en_int/brands/	No
KE KELIT	KE KELIT STEELOX	Circular Coupling	SMM410 Coupling equal	57100DD0		20	20		4	4		https://www.kekelit.com/en_int/brands/	No
KE KELIT	KE KELIT STEELOX	Circular Reducer	SMM410 Coupling reduced	57100ED0		25	20		3	3	2	https://www.kekelit.com/en_int/brands/	No
KE KELIT	KE KELIT STEELOX	Circular Coupling	SMM410 Coupling equal	57100EE0		25	25		3	3		https://www.kekelit.com/en_int/brands/	No
KE KELIT	KE KELIT STEELOX	Circular Bend	SMM420 Elbow 90°	57103BB0		16	16		13	13		https://www.kekelit.com/en_int/brands/	No
KE KELIT	KE KELIT STEELOX	Circular Bend	SMM420 Elbow 90°	57103DD0		20	20		14	14		https://www.kekelit.com/en_int/brands/	No
KE KELIT	KE KELIT STEELOX	Circular Bend	SMM420 Elbow 90°	57103EE0		25	25		18	18		https://www.kekelit.com/en_int/brands/	No
KE KELIT	KE KELIT STEELOX	Circular Bend	SMM420Z Zeta elbow 90°	57104BB0		16	16		13	13		https://www.kekelit.com/en_int/brands/	No
KE KELIT	KE KELIT STEELOX	Circular Bend	SMM420Z Zeta elbow 90°	57104DD0		20	20		14	14		https://www.kekelit.com/en_int/brands/	No
KE KELIT	KE KELIT STEELOX	Circular Bend	SMM420Z Zeta elbow 90°	57104EE0		25	25		18	18		https://www.kekelit.com/en_int/brands/	No
KE KELIT	KE KELIT STEELOX	Circular Tee	SMM440 T-piece	57110BBB		16	16	16	13	13	13	https://www.kekelit.com/en_int/brands/	No
KE KELIT	KE KELIT STEELOX	Circular Tee	SMM440 T-piece	57110DBB		20	16	16	16	16	15	https://www.kekelit.com/en_int/brands/	No
KE KELIT	KE KELIT STEELOX	Circular Tee	SMM440 T-piece	57110DBD		20	20	16	15	15	15	https://www.kekelit.com/en_int/brands/	No
KE KELIT	KE KELIT STEELOX	Circular Tee	SMM440 T-piece	57110DDD		20	20	20	15	15	15	https://www.kekelit.com/en_int/brands/	No
KE KELIT	KE KELIT STEELOX	Circular Tee	SMM440 T-piece	57110EBD		25	20	16	16	17	17	https://www.kekelit.com/en_int/brands/	No
KE KELIT	KE KELIT STEELOX	Circular Tee	SMM440 T-piece	57110EBE		25	25	16	16	16	22	https://www.kekelit.com/en_int/brands/	No
KE KELIT	KE KELIT STEELOX	Circular Tee	SMM440 T-piece	57110EDD		25	20	20	17	17	18	https://www.kekelit.com/en_int/brands/	No
KE KELIT	KE KELIT STEELOX	Circular Tee	SMM440 T-piece	57110EDE		25	25	20	17	17	17	https://www.kekelit.com/en_int/brands/	No
KE KELIT	KE KELIT STEELOX	Circular Tee	SMM440 T-piece	57110EEE		25	25	25	16	16	16	https://www.kekelit.com/en_int/brands/	No

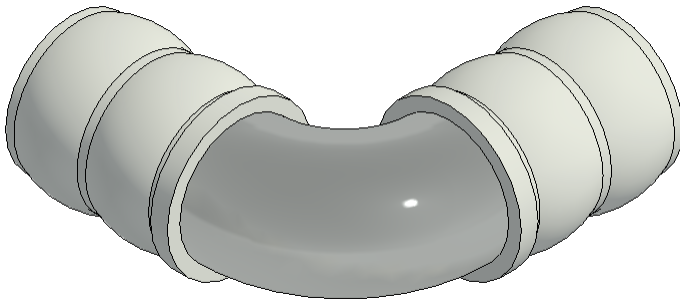
<PI_General_BOM_Pipes>									
A	B	C	D	E	F	G	H	I	J
Manufacturer	Product Line	Article Type	Manufacturer Art. No.	GTIN	Length	Diameter	Size	Manufacturer URL	Cost
KE KELIT	KE KELIT STEELOX	SMX100 Multilayer composite pipe 100m	57001D00		2.00 m	20.0 mm	20 mmø	https://www.kekelit.com/en_int/brands/	
KE KELIT	KE KELIT STEELOX	SMX110 Multilayer composite pipe 5m	57005E00		4.00 m	25.0 mm	25 mmø	https://www.kekelit.com/en_int/brands/	
KE KELIT	KE KELIT STEELOX	SMX134 Plus pipe 4mm blue 25m	57011E00		2.00 m	25.0 mm	25 mmø	https://www.kekelit.com/en_int/brands/	
KE KELIT	KE KELIT STEELOX	SMX133 Plus pipe 13mm orange 25m	57018E00		2.00 m	25.0 mm	25 mmø	https://www.kekelit.com/en_int/brands/	
					10.00 m				



Table of components

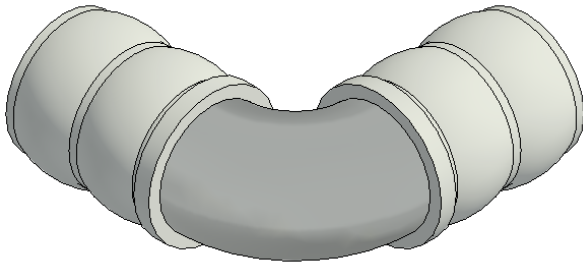
- Bend

M_Bend_Circular_MEPcontent_KE KELIT STEELOX_SMX420.rfa

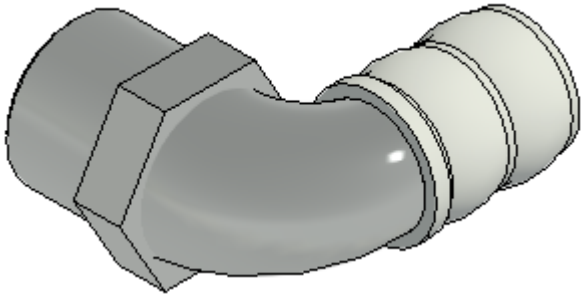


Manufacturer	Article Description	Article Type	Manufacturer Art. No.	Diameter 1	Diameter 2
KE KELIT	Circular Bend	SMX420 Elbow 90°	57103BB0	16	16
KE KELIT	Circular Bend	SMX420 Elbow 90°	57103DD0	20	20
KE KELIT	Circular Bend	SMX420 Elbow 90°	57103EE0	25	25

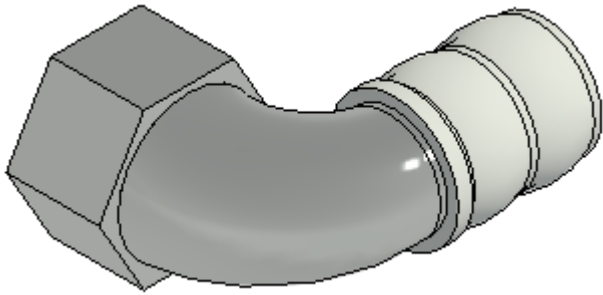
M_Bend_Circular_MEPcontent_KE KELIT STEELOX_SMX420Z.rfa



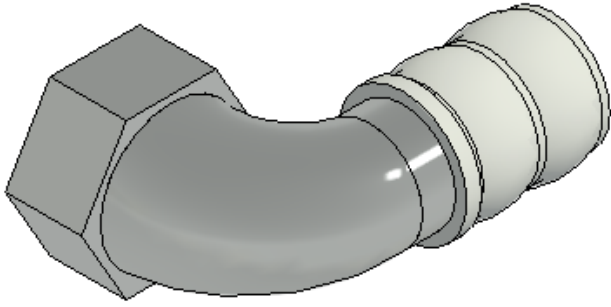
Manufacturer	Article Description	Article Type	Manufacturer Art. No.	Diameter 1	Diameter 2
KE KELIT	Circular Bend	SMX420Z Zeta elbow 90°	57104BB0	16	16
KE KELIT	Circular Bend	SMX420Z Zeta elbow 90°	57104DD0	20	20
KE KELIT	Circular Bend	SMX420Z Zeta elbow 90°	57104EE0	25	25



Manufacturer	Article Description	Article Type	Manufacturer Art. No.	Diameter 1	Diameter 2
KE KELIT	Circular Bend	SMX460 Elbow adaptor 90° with M thr.	57212B02	1/2"	16
KE KELIT	Circular Bend	SMX460 Elbow adaptor 90° with M thr.	57212D02	1/2"	20
KE KELIT	Circular Bend	SMX460 Elbow adaptor 90° with M thr.	57212D04	3/4"	20
KE KELIT	Circular Bend	SMX460 Elbow adaptor 90° with M thr.	57212E04	3/4"	25

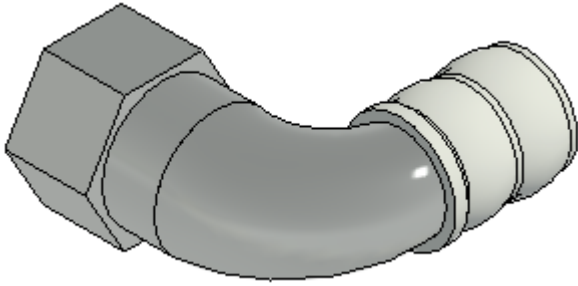


Manufacturer	Article Description	Article Type	Manufacturer Art. No.	Diameter 1	Diameter 2
KE KELIT	Circular Bend	SMX467 Elbow adaptor 90° with F thr.	57216B02	1/2"	16
KE KELIT	Circular Bend	SMX467 Elbow adaptor 90° with F thr.	57216D02	1/2"	20
KE KELIT	Circular Bend	SMX467 Elbow adaptor 90° with F thr.	57216D04	3/4"	20
KE KELIT	Circular Bend	SMX467 Elbow adaptor 90° with F thr.	57216E04	3/4"	25

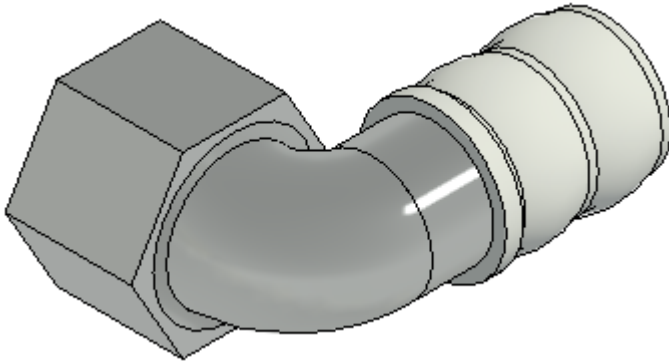


Manufacturer	Article Description	Article Type	Manufacturer Art. No.	Diameter 1	Diameter 2
KE KELIT	Circular Bend	SMX480 Wall bracket 90° with F thr.	57250B02	1/2"	16
KE KELIT	Circular Bend	SMX480 Wall bracket 90° with F thr.	57250D02	1/2"	20
KE KELIT	Circular Bend	SMX480 Wall bracket 90° with F thr.	57250E04	3/4"	25

M_Bend_Circular_MEPcontent_KE KELIT STEELOX_SMX456K.rfa

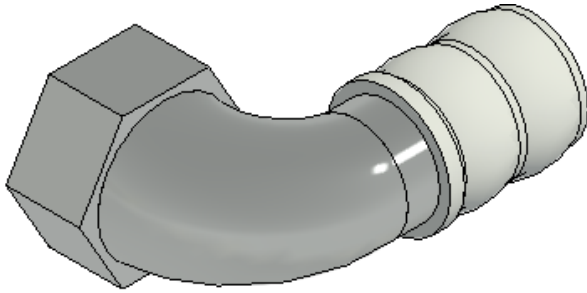


Manufacturer	Article Description	Article Type	Manufacturer Art. No.	Diameter 1	Diameter 2
KE KELIT	Circular Bend	SMX456K Elbow adaptor 90° with F thr. and wedge seal	57207B02	1/2"	16



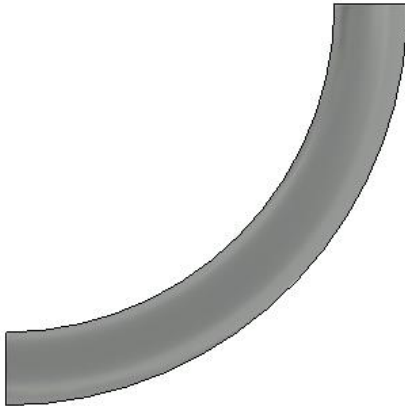
Manufacturer	Article Description	Article Type	Manufacturer Art. No.	Diameter 1	Diameter 2
KE KELIT	Circular Bend	SMX480L Wall bracket 90° with 20mm F thr.	57251B02	1/2"	16
KE KELIT	Circular Bend	SMX480L Wall bracket 90° with 20mm F thr.	57251D02	1/2"	20

M_Bend_Circular_MEPcontent_KE KELIT STEELOX_SMX480Z.rfa



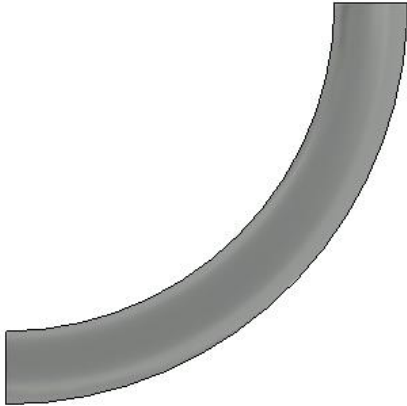
Manufacturer	Article Description	Article Type	Manufacturer Art. No.	Diameter 1	Diameter 2
KE KELIT	Circular Bend	SMX480Z Wall bracket 90° with F thr.	57252B02	1/2"	16
KE KELIT	Circular Bend	SMX480Z Wall bracket 90° with F thr.	57252D02	1/2"	20

M_Bend_Circular Bendable_MEPcontent_KE KELIT STEELOX_SMX100 50m.rfa

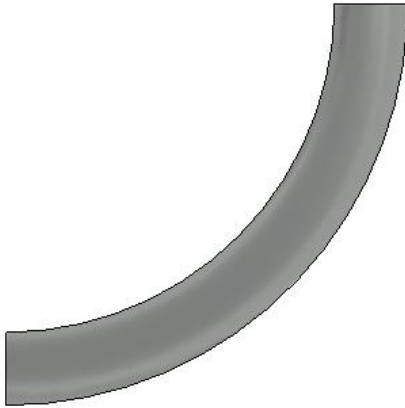


Manufacturer	Article Description	Article Type	Manufacturer Art. No.	Diameter 1	Diameter 2
KE KELIT	Circular Bendable Bend	SMX100 Multilayer composite pipe 50m bendable	57001E00	25	25

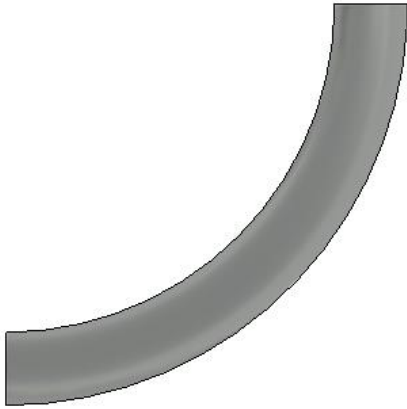
M_Bend_Circular Bendable_MEPcontent_KE KELIT STEELOX_SMX100 100m.rfa



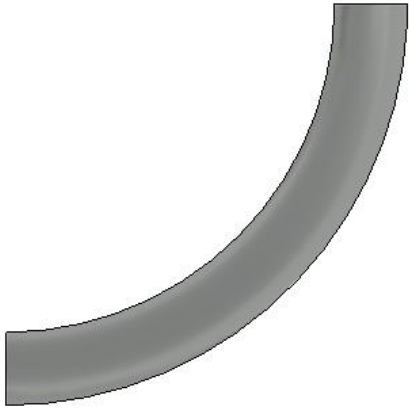
Manufacturer	Article Description	Article Type	Manufacturer Art. No.	Diameter 1	Diameter 2
KE KELIT	Circular Bendable Bend	SMX100 Multilayer composite pipe 100m bendable	57001B00	16	16
KE KELIT	Circular Bendable Bend	SMX100 Multilayer composite pipe 100m bendable	57001D00	20	20



Manufacturer	Article Description	Article Type	Manufacturer Art. No.	Diameter 1	Diameter 2
KE KELIT	Circular Bendable Bend	SMX130 Plus pipe 9mm red 25m bendable	57014E00	25	25

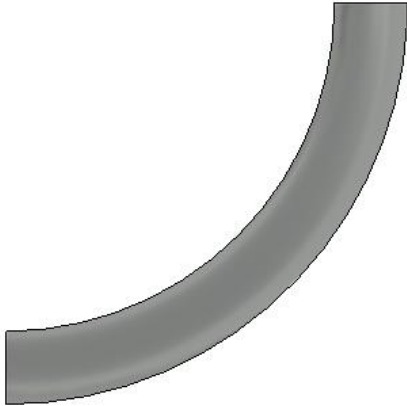


Manufacturer	Article Description	Article Type	Manufacturer Art. No.	Diameter 1	Diameter 2
KE KELIT	Circular Bendable Bend	SMX130 Plus pipe 9mm red 50m bendable	57014B00	16	16
KE KELIT	Circular Bendable Bend	SMX130 Plus pipe 9mm red 50m bendable	57014D00	20	20

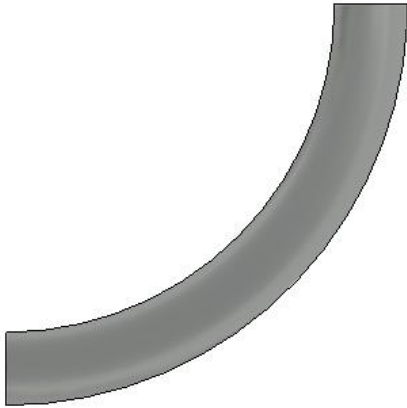


Manufacturer	Article Description	Article Type	Manufacturer Art. No.	Diameter 1	Diameter 2
KE KELIT	Circular Bendable Bend	SMX133 Plus pipe 13mm orange 25m bendable	57018E00	25	25

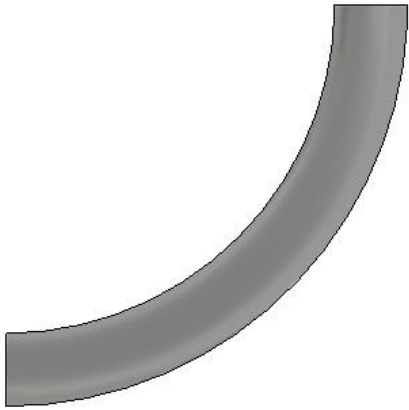
M_Bend_Circular Bendable_MEPcontent_KE KELIT STEELOX_SMX133 50m.rfa



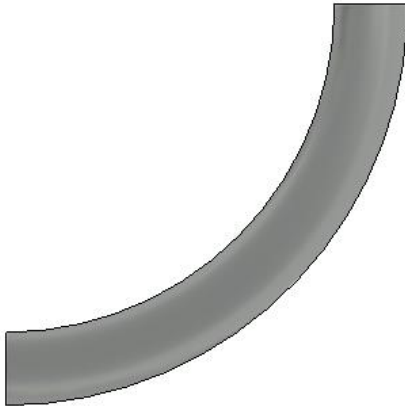
Manufacturer	Article Description	Article Type	Manufacturer Art. No.	Diameter 1	Diameter 2
KE KELIT	Circular Bendable Bend	SMX133 Plus pipe 13mm orange 50m bendable	57018B00	16	16
KE KELIT	Circular Bendable Bend	SMX133 Plus pipe 13mm orange 50m bendable	57018D00	20	20



Manufacturer	Article Description	Article Type	Manufacturer Art. No.	Diameter 1	Diameter 2
KE KELIT	Circular Bendable Bend	SMX134 Plus pipe 4mm blue 25m bendable	57011E00	25	25



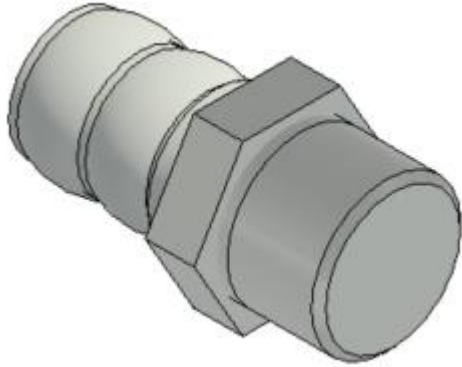
Manufacturer	Article Description	Article Type	Manufacturer Art. No.	Diameter 1	Diameter 2
KE KELIT	Circular Bendable Bend	SMX134 Plus pipe 4mm blue 50m bendable	57011B00	16	16
KE KELIT	Circular Bendable Bend	SMX134 Plus pipe 4mm blue 50m bendable	57011D00	20	20



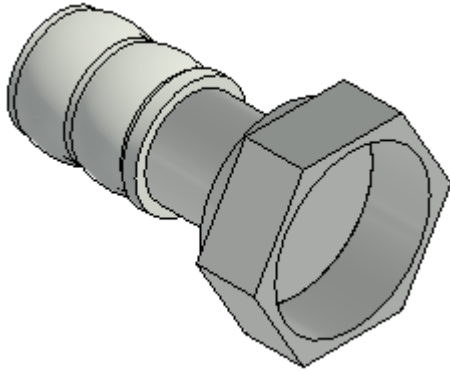
Manufacturer	Article Description	Article Type	Manufacturer Art. No.	Diameter 1	Diameter 2
KE KELIT	Circular Bendable Bend	SMX140 Plus pipe 6mm blue 50m bendable	57021B00	16	16
KE KELIT	Circular Bendable Bend	SMX140 Plus pipe 6mm blue 50m bendable	57021D00	20	20

- **Connection**

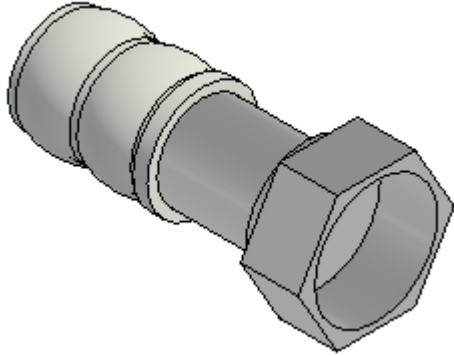
M_Connection Piece_Circular Nut_MEPcontent_KE KELIT STEELOX_SMX450.rfa



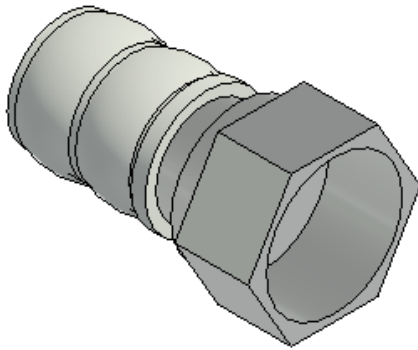
Manufacturer	Article Description	Article Type	Manufacturer Art. No.	Diameter 1	Diameter 2
KE KELIT	Circular Connection Piece	SMX450 Adaptor with M thr.	57202B02	16	1/2"
KE KELIT	Circular Connection Piece	SMX450 Adaptor with M thr.	57202D02	20	1/2"
KE KELIT	Circular Connection Piece	SMX450 Adaptor with M thr.	57202D04	20	3/4"
KE KELIT	Circular Connection Piece	SMX450 Adaptor with M thr.	57202E04	25	3/4"
KE KELIT	Circular Connection Piece	SMX450 Adaptor with M thr.	57202E05	25	1"



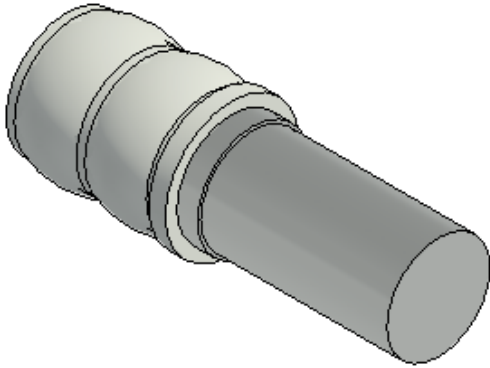
Manufacturer	Article Description	Article Type	Manufacturer Art. No.	Diameter 1	Diameter 2
KE KELIT	Circular Connection Piece	SMX455 Screw connection with F thr.	57203B02	16	1/2"
KE KELIT	Circular Connection Piece	SMX455 Screw connection with F thr.	57203B04	16	3/4"
KE KELIT	Circular Connection Piece	SMX455 Screw connection with F thr.	57203D04	20	3/4"
KE KELIT	Circular Connection Piece	SMX455 Screw connection with F thr.	57203E04	25	3/4"



Manufacturer	Article Description	Article Type	Manufacturer Art. No.	Diameter 1	Diameter 2
KE KELIT	Circular Connection Piece	SMX455K Screw connection with F thr. and wedge seal	57204B02	16	1/2"



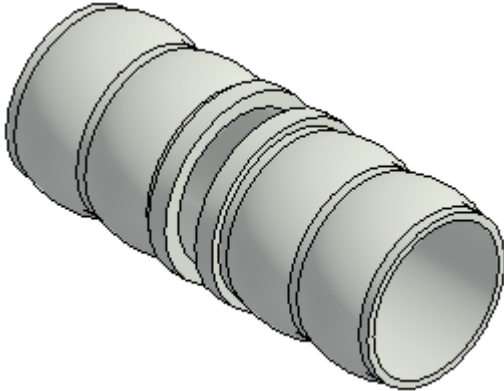
Manufacturer	Article Description	Article Type	Manufacturer Art. No.	Diameter 1	Diameter 2
KE KELIT	Circular Connection Piece	SMX457 Adaptor with F thr.	57206B02	16	1/2"
KE KELIT	Circular Connection Piece	SMX457 Adaptor with F thr.	57206D02	20	1/2"
KE KELIT	Circular Connection Piece	SMX457 Adaptor with F thr.	57206D04	20	3/4"
KE KELIT	Circular Connection Piece	SMX457 Adaptor with F thr.	57206E04	25	3/4"



Manufacturer	Article Description	Article Type	Manufacturer Art. No.	Diameter 1	Diameter 2
KE KELIT	Circular Connection Piece	SMX489 STEELOX-STEELFIX Adaptor	57272BB0	16	15
KE KELIT	Circular Connection Piece	SMX489 STEELOX-STEELFIX Adaptor	57272DD0	20	22
KE KELIT	Circular Connection Piece	SMX489 STEELOX-STEELFIX Adaptor	57272DE0	25	22

- Coupling

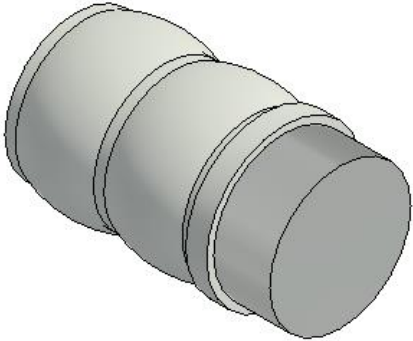
M_Coupling_Circular_MEPcontent_KE KELIT STEELOX_SMX410.rfa



Manufacturer	Article Description	Article Type	Manufacturer Art. No.	Diameter 1	Diameter 2
KE KELIT	Circular Coupling	SMX410 Coupling equal	57100BB0	16	16
KE KELIT	Circular Coupling	SMX410 Coupling equal	57100DD0	20	20
KE KELIT	Circular Coupling	SMX410 Coupling equal	57100EE0	25	25

- End Piece

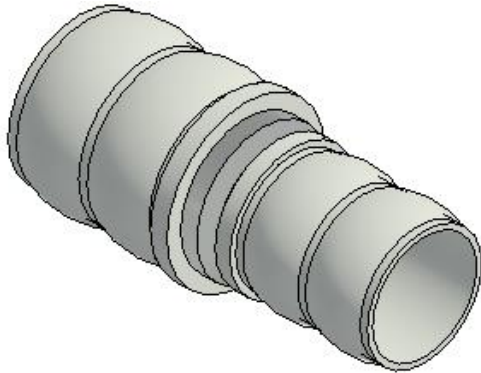
M_End Piece Cover_Circular Flat_MEPcontent_KE KELIT STEELOX_SMX471.rfa



Manufacturer	Article Description	Article Type	Manufacturer Art. No.	Diameter 1
KE KELIT	Circular Cover End Piece	SMX471 End cap	57120B00	16
KE KELIT	Circular Cover End Piece	SMX471 End cap	57120D00	20
KE KELIT	Circular Cover End Piece	SMX471 End cap	57120E00	25

- Reducer

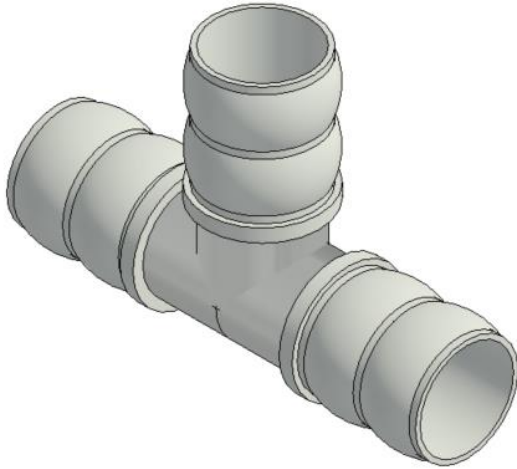
M_Reducer_Circular_MEPcontent_KE KELIT STEELOX_SMX410.rfa



Manufacturer	Article Description	Article Type	Manufacturer Art. No.	Diameter 1	Diameter 2
KE KELIT	Circular Reducer	SMX410 Coupling reduced	57100DB0	20	16
KE KELIT	Circular Reducer	SMX410 Coupling reduced	57100ED0	25	20

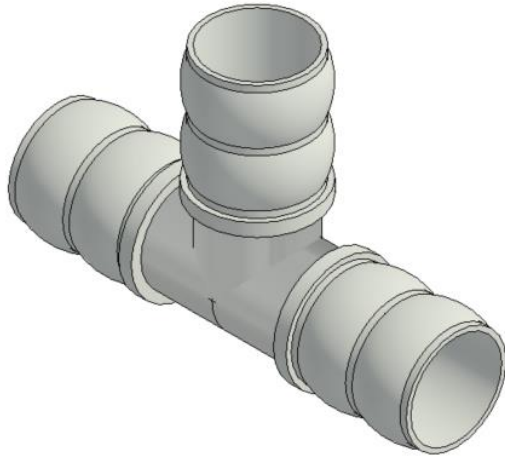
- Tee

M_Tee_Circular_MEPcontent_KE KELIT STEELOX_SMX440.rfa

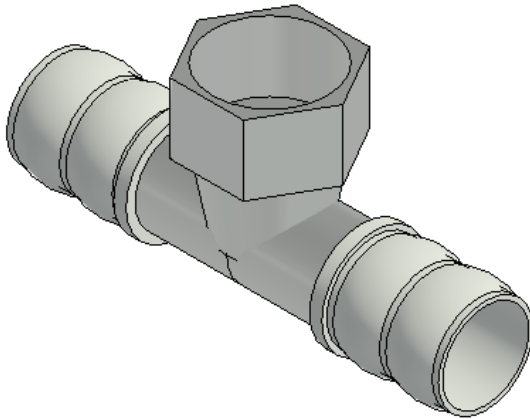


Manufacturer	Article Description	Article Type	Manufacturer Art. No.	Diameter 1	Diameter 2	Diameter 3
KE KELIT	Circular Tee	SMX440 T-piece	57110BBB	16	16	16
KE KELIT	Circular Tee	SMX440 T-piece	57110DBB	20	16	16
KE KELIT	Circular Tee	SMX440 T-piece	57110DBD	20	20	16
KE KELIT	Circular Tee	SMX440 T-piece	57110DDD	20	20	20
KE KELIT	Circular Tee	SMX440 T-piece	57110EBD	25	20	16
KE KELIT	Circular Tee	SMX440 T-piece	57110EBE	25	25	16

Manufacturer	Article Description	Article Type	Manufacturer Art. No.	Diameter 1	Diameter 2	Diameter 3
KE KELIT	Circular Tee	SMX440 T-piece	57110EDD	25	20	20
KE KELIT	Circular Tee	SMX440 T-piece	57110EDE	25	25	20
KE KELIT	Circular Tee	SMX440 T-piece	57110EEE	25	25	25



Manufacturer	Article Description	Article Type	Manufacturer Art. No.	Diameter 1	Diameter 2	Diameter 3
KE KELIT	Circular Tee	SMX440Z Zeta T-piece	57111BBB	16	16	16
KE KELIT	Circular Tee	SMX440Z Zeta T-piece	57111DDD	20	20	20
KE KELIT	Circular Tee	SMX440Z Zeta T-piece	57111EEE	25	25	25



Manufacturer	Article Description	Article Type	Manufacturer Art. No.	Diameter 1	Diameter 2	Diameter 3
KE KELIT	Circular Tee	SMX447 T-piece with F thr. branch	57240B02	16	16	1/2"
KE KELIT	Circular Tee	SMX447 T-piece with F thr. branch	57240D02	20	20	1/2"
KE KELIT	Circular Tee	SMX447 T-piece with F thr. branch	57240E02	25	25	1/2"
KE KELIT	Circular Tee	SMX447 T-piece with F thr. branch	57240E04	25	25	3/4"