

Draincock

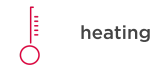


group: 833GM category: valves product line: Pegler Draincock

The Prestex 833GM is a gunmetal draincock with male tapered thread. By using Prestex in your piping system you can install in easy to use heat free system. Prestex provides a piping suitable for domestic and light commercial applications.

- No need for use of naked flames
- Can be used on wet pipework
- Joints can be dismantled without adversely affecting performance
- Provided with all relevant approvals

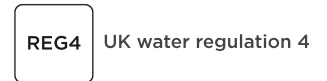
applications



segments



approvals



assortment

item number	size	dimensions	weight	packaging	gtin
542027	R1/2"	60x25x60 mm	0.13 kg	box (20 pce)	05013866007897
542028	R3/4"	65x35x60 mm	0.26 kg	bag (1 pce)	05022050211095
542029	R1"	70x40x60 mm	0.6 kg	bag (1 pce)	05022050211675

specifications - characteristics

color	bronze
materials	bronze (EN CC499K)
finishing	none
shape	straight (0°)
connection type	R - male thread gas conical (BSPT), hose connector
pressure rating (PN)	PN 20
sealing	EPDM

specifications - general

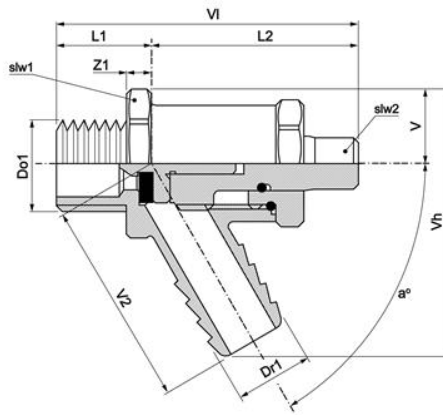
product group	valves (fill and drain valves)
ETIM class	EC010985 Drain valve (radiator and tap water)
HS code	84818019
brand	Pegler
series	Draincock
product type	833GM
UNSPS	40141654

specifications - technical

max operating pressure liquid	20 bar
min. medium temperature	30 °C

dimensions

item number	size	d1	DN1	l1	z1	slw1	l2	slw2	V	a
542027	R1/2"	15.0	1/2" (DN15)	19	4	25	37	19	13	55
542028	R3/4"	20.0	3/4" (DN20)	22	6	34	48	26	17	55
542029	R1"	28.0	1" (DN25)	27	9	39	68	39	20	55



sustainability

item number	carbon footprint (A-C) embodied carbon	data source
542027	0.87kgCO2e	TM65

downloads

[833GM - jpg](#)

[Diagram - jpg](#)

[Pegler Valve Installation Instructions - pdf](#)