

## Pegler Butterfly valve Gas wth gear (2 x flange)



**group:** V907G    **category:** valves    **product line:** Pegler Butterfly Valve

The Pegler Type V907G Butterfly Valves are isolating and regulating valves with a compact and slim design with an easy to operate wheel handle, the range is fully lugged

- Flanges in Sizes DN200 to DN300
- Max Operating Pressure PN16
- Operating Temperatures 5°C to 85°C

### applications

potable water, natural gas, heating, cooling

### segments

commercial building , industry , shipbuilding

### approvals

no approvals available

### assortment

item number	size	dimensions	weight	packaging	gtin
15449	DN200	620x280x420 mm	37 kg	unpackaged (1 pce)	05022050356192
15338	DN250	700x330x480 mm	35.5 kg	unpackaged (1 pce)	05022050071934
15339	DN300	720x310x450 mm	48 kg	unpackaged (1 pce)	05022050072252

### specifications - characteristics

color	blue
materials	cast iron (GGG40 (EN-GJS-400-15))
finishing	primer/paint
shape	straight (0°)
connection type	flange
pressure rating (PN)	PN 6
sealing	NBR (Nitrile)

### specifications - general

product group	valves (butterfly valves)
ETIM class	EC010910 Butterfly valve
brand	Pegler
series	Butterfly Valve
product type	V907G
UNSPS	40141619

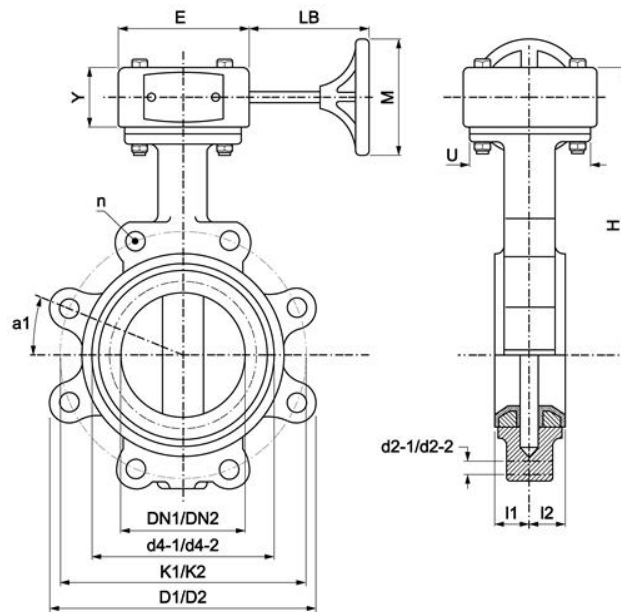
### specifications - technical

max operating pressure liquid	6 bar
min. medium temperature	-10 °C
max medium temperature	120 °C
peak medium temperature	85 °C
Kvs-value	value depends on the item <a href="#">view items</a>

### dimensions

item number	size	d1	DN1	l1	d2	DN2	l2	b2	M	E	H	Y	V
15449	DN200	219.1	DN200	30	219.1	DN200	30	68	90	146	320	120	245
15338	DN250	273.1	DN250	34	273.1	DN250	34	68	90	155	584	120	271
15339	DN300	323.9	DN300	39	323.9	DN300	39	78	90	165	606	120	296

item number	size	U	D1	a
15449	DN200	125	330	90
15338	DN250	125	355	90
15339	DN300	125	410	90



## sustainability

item number	carbon footprint (A-C) embodied carbon	data source
15338	147.27kgCO <sub>2</sub> e	TM65
15339	197.18kgCO <sub>2</sub> e	TM65

## downloads

⬇️ V907G - jpg

⬇️ Diagram - jpg