



## Radiator Plugs

# Radiator Plugs

## For safe Venting

### Features

- Versions for different price segments and for special requirements
- Patented draining
- Metal and plastic versions
- Swivelling versions
- Plugs for steel and cast iron radiators

### Areas of Application

#### Heating Systems

- Max. pressure: 10 bar
- Max. temp.: 110 °C permanent temperature, 130 °C short-term

### Material

Housing:	Nickel-plated brass, plastic
Spindle:	Brass, square key shape
O-rings:	EPDM
Self-sealing thread seal:	EPDM
Thread:	DIN EN ISO 228-1

#### Plugs for steel and cast iron radiators

Housing:	Steel E 195
Spindle:	Brass
Cover:	Plastic
Thread:	DIN EN ISO 228-1

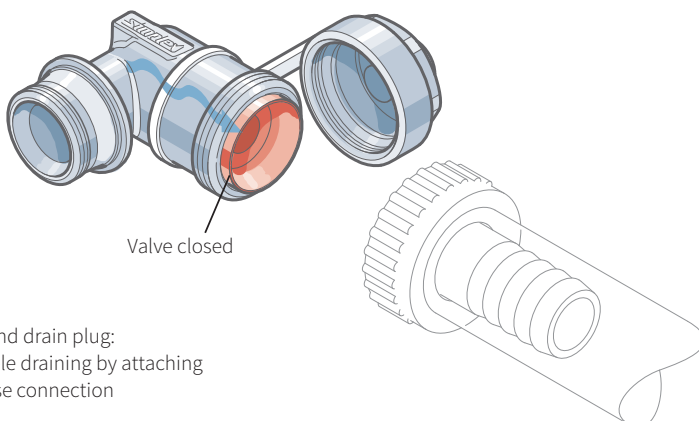
### Series

#### STANDARD Series

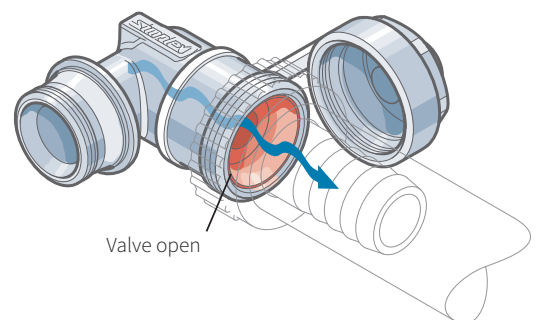
Inexpensive version, with heat-resistant O-ring, coated

#### EXCLUSIV Series

For special requirements, with a Teflon-coated self-sealing thread seal



Fill and drain plug:  
Simple draining by attaching  
a hose connection



# Radiator Plugs Overview

## EXCLUSIV Radiator Plugs



Blind Plug

Page 4



Reducing Plug

Page 4



A Air Plug

Page 4



C Air Plug with Swivelling Outlet

Page 4



Ventilation Key

Page 4

! Also available in the inexpensive **STANDARD** version with O-ring seal page 134.

## Drain Plugs



... with Swivelling Outlet in Plastic

Page 5



... in Metal with Outlet

Page 5



... in Metal with Hose Connection

Page 5



... with Swivelling Outlet in Metal

Page 5



... with Swivelling Outlet in Metal w. Hose Connection

Page 5

## Fill and Drain Plugs



... with Swivelling Outlet in Metal

Page 6



... with Swivelling Outlet in Plastic

Page 6



... for hose connection

Page 6



... for small dimensions

Page 7

## Air Plug for Solar



Sir Plug for Solar

Page 7

## Plugs for Steel and Cast Iron Radiators



Blind Plug

Page 8



Air Plug

Page 8



Reducing Plug

Page 9

! Each in **light-weight** and **white coated** version, blind plugs and reducing plugs also in **heavy version**.

### STANDARD Series

- Inexpensive version
- With heat resistant O-ring, coated

### STANDARD Blind Plug

With O-ring seal.

- Nickel-plated brass
- EPDM

► Dimensional drawing see page 259



Article no.	Dimensions	PG	PU small	PU large	
F10702	G3/8m	705	10	100	
F10703	G1/2m	705	10	100	

### STANDARD Reducing Plug

With O-ring seal.

- Nickel-plated brass
- EPDM

► Dimensional drawing see page 259



Article no.	Dimensions	PG	PU small	PU large	
F10705	G1/2m x G3/8f	705	10	100	

### STANDARD A Air Plug

With O-ring seal.

- Nickel-plated brass
- EPDM

► Dimensional drawing see page 259



Article no.	Dimensions	PG	PU small	PU large	
F10710	G3/8m	705	10	100	
F10711	G1/2m	705	10	100	

### STANDARD C Air Plug with Swivelling Outlet

With O-ring seal.

- Nickel-plated brass
- EPDM

► Dimensional drawing see page 259



Article no.	Version	Dimensions	PG	PU small	PU large	
F10713	brass head	G3/8m	705	10	100	
F10714	plastic head	G1/2m	705	10	100	

### EXCLUSIV Series

- For special requirements
- With Teflon-coated self-sealing thread seal

### EXCLUSIV Blind Plug

Self-sealing.

- Nickel-plated brass
- EPDM

► Dimensional drawing see page 259



Article no.	Dimensions	PG	PU small	PU large	
F10802	G3/8m	705	10	100	
F10803	G1/2m	705	10	100	
F10804	G3/4m	705	10	100	

### EXCLUSIV Reducing Plug

Self-sealing.

- Nickel-plated brass
- EPDM

► Dimensional drawing see page 259



Article no.	Dimensions	PG	PU small	PU large	
F10805	G1/2m x G1/8f	705	10	100	
F10807	G1/2m x G3/8f	705	10	100	
F10808	G3/4m x G3/8f	705	10	100	
F10809	G3/4m x G1/2f	705	10	100	

### EXCLUSIV A Air Plug

Self-sealing.

- Nickel-plated brass
- EPDM

► Dimensional drawing see page 259



Article no.	Dimensions	PG	PU small	PU large	
F10810	G3/8m	705	10	100	
F10811	G1/2m	705	10	100	
F10812	G3/4m	705	10	100	

### EXCLUSIV C Air Plug with swivelling Outlet in Metal

Self-sealing.

- Nickel-plated brass
- EPDM

► Dimensional drawing see page 259



Article no.	Dimensions	PG	PU small	PU large	
F10813	G3/8m	705	10	100	
F10814	G1/2m	705	10	100	

### Metal Ventilation Key

Square, 5 mm.

- Nickel-plated metal



Article no.	Dimensions	PG	PU small	PU large	
F11202	5 mm	705	100	1000	

**STANDARD I Drain Plug with swivelling Outlet in Plastic**


Outlet sleeve for plastic hose, with O-ring seal.

- Nickel-plated brass, plastic
- EPDM

► Dimensional drawing see page 259



Article no.	Dimensions	PG	PU small	PU large	
F10623	G3/8m	705	10	100	
F10622	G1/2m	705	10	100	

**EXCLUSIV S Drain Plug in Metal with Outlet**


Outlet sleeve for plastic hose, self-sealing.

- Nickel-plated brass
- EPDM

► Dimensional drawing see page 260



Article no.	Dimensions	PG	PU small	PU large	
F10604	G1/2m	705	10	100	

**EXCLUSIV R Drain Plug in Metal with Hose Connection**


Blind cap serves as operating key, self-sealing.

- Nickel-plated brass
- EPDM

► Dimensional drawing see page 260



Article no.	Dimensions	PG	PU small	PU large	
F10601	G3/8m x G3/4m	705	10	100	
F10602	G1/2m x G3/4m	705	10	100	

**EXCLUSIV N Drain Plug with swivelling Outlet in Metal**


Outlet sleeve for plastic hose, self-sealing.

- Nickel-plated brass
- EPDM

► Dimensional drawing see page 260



Article no.	Dimensions	PG	PU small	PU large	
F10627	G1/2m	705	10	100	

**EXCLUSIV M Drain Plug with swivelling Outlet in Metal with Hose Connection**


Blind cap serves as operating key, self-sealing.

- Nickel-plated brass
- EPDM

► Dimensional drawing see page 260



Article no.	Dimensions	PG	PU small	PU large	
F10625	G1/2m x G3/4m	705	10	100	

### Air Plug for Solar

With heat-resistant FKM O-ring for water-glycol mixes up to 50 % glycol ratio, max. pressure: 10 bar, max. temp.: 180 °C permanent temperature, 200 °C short-term, with O-ring seal.



- Nickel-plated brass
- FKM
- ▶ Dimensional drawing see page 260



Article no.	Dimensions	PG	PU small	PU large	
F99099	G1/2m	705	50	250	

### STANDARD V Fill and Drain Plug with swivelling Outlet

Blind cap serves as operating key, with O-ring seal.

- Brass, plastic
- EPDM
- ▶ Dimensional drawing see page 260



#### Spout body in metal



Article no.	Version	Dimensions	PG	PU small	PU large	
F10605	blank	G3/8m x G3/4m	705	10	100	
F10613	nickel-plated	G3/8m x G3/4m	705	10	100	
F10607	blank	G1/2m x G3/4m	705	10	100	
F10608	nickel-plated	G1/2m x G3/4m	705	10	100	

#### Spout body in plastic



Article no.	Version	Dimensions	PG	PU small	PU large	
F10609	nickel-plated	G3/8m x G3/4m	705	10	100	
F10611	blank	G1/2m x G3/4m	705	10	100	
F10612	nickel-plated	G1/2m x G3/4m	705	10	100	

### EXCLUSIV Fill and Drain Plug

Draining and filling by attaching a standard hose connection, self-sealing.

- Nickel-plated brass
- EPDM
- ▶ Dimensional drawings see page 260



Article no.	Version	Dimensions	PG	PU small	PU large	
F10628	straight	G1/2m x G3/4m	705	10	100	
F10629	angle	G1/2m x G3/4m	705	10	100	

### Fill and Drain Plug

Draining and filling by attaching a standard hose connection together with Adapter F13447, self-sealing and self-closing, incl. cap.

- Nickel-plated brass
- EPDM

► Dimensional drawing see page 261



Article no.	Dimensions	PG	PU small	PU large	
F13446	G1/4m	705	1	10	

### Adapter for Fill and Drain Plug

Adapter for connecting a standard hose connection to the fill and drain plug F13446.

- Brass
- EPDM

► Dimensional drawing see page 261



Article no.	Dimensions	PG	PU small	PU large	
F13447	G1/4m x G3/4m Euro taper	705	1	10	

### Blind Plug for Steel and Cast Iron Radiators

- Light-weight, pressed version  
With special flat seal EPDM 2.5 mm
- Heavy version  
Cold pressed, with HD seal 1.5 mm, non-stick coating, loose
- White coated version  
Similar to RAL 9016, with special flat seal

- Steel, plastic
- Dimensional drawing see page 261



Article no.	Version	Dimensions	PG	PU small	PU large	
F10901	light-weight	G1 1/4m (R)	705	10	100	
F10902	light-weight	G1 1/4m (L)	705	10	100	
F10915	heavy	G1 1/4m (R)	705	10	100	
F10916	heavy	G1 1/4m (L)	705	10	100	
F10951	white	G1 1/4m (R)	705	10	100	
F10952	white	G1 1/4m (L)	705	10	100	

### Air Plug for Steel and Cast Iron Radiators

- Light-weight, pressed version  
Aluminium-coloured housing, rotatable outlet head in white plastic, similar to RAL 9016, with special pressed seal
- White coated version  
White housing, rotatable outlet head in white plastic (both similar to RAL 9016), with special pressed seal

- Steel, plastic
- Dimensional drawing see page 261



Article no.	Version	Dimensions	PG	PU small	PU large	
F10909	light-weight	G1 1/4m (R)	705	10	100	
F10910	light-weight	G1 1/4m (L)	705	10	100	
F10960	white	G1 1/4m (R)	705	10	100	
F10961	white	G1 1/4m (L)	705	10	100	



### Reducing Plug for Steel and Cast Iron Radiators

- Light-weight, pressed version  
With special flat seal EPDM 2.5 mm
- Heavy version  
Cold pressed, with HD seal 1.5 mm, non-stick coating, loose
- White coated version  
Similar to RAL 9016, with special flat seal



- Steel, plastic
- ▶ Dimensional drawing see page 261



Article no.	Version	Dimensions	PG	PU small	PU large
F10903	light-weight	G1 1/4m (R) x G3/8f	705	10	100
F10904	light-weight	G1 1/4m (R) x G1/2f	705	10	100
F10905	light-weight	G1 1/4m (R) x G3/4f	705	10	100
F10906	light-weight	G1 1/4m (L) x G3/8f	705	10	100
F10907	light-weight	G1 1/4m (L) x G1/2f	705	10	100
F10908	light-weight	G1 1/4m (L) x G3/4f	705	10	100
F10918	heavy	G1 1/4m (R) x G3/8f	705	10	100
F10919	heavy	G1 1/4m (R) x G1/2f	705	10	100
F10920	heavy	G1 1/4m (R) x G3/4f	705	10	100
F10921	heavy	G1 1/4m (R) x G1f	705	10	100
F10923	heavy	G1 1/4m (L) x G3/8f	705	10	100
F10924	heavy	G1 1/4m (L) x G1/2f	705	10	100
F10925	heavy	G1 1/4m (L) x G3/4f	705	10	100
F10926	heavy	G1 1/4m (L) x G1f	705	10	100
F10953	white	G1 1/4m (R) x G3/8f	705	10	100
F10954	white	G1 1/4m (R) x G1/2f	705	10	100
F10955	white	G1 1/4m (R) x G3/4f	705	10	100
F10956	white	G1 1/4m (L) x G3/8f	705	10	100
F10957	white	G1 1/4m (L) x G1/2f	705	10	100
F10958	white	G1 1/4m (L) x G3/4f	705	10	100

### Radiator Nipple for Steel and Cast Iron Radiators

With right and left thread, HD seal 1 mm, non-stick coating.

- Steel
- HD



Article no.	Dimensions	PG	PU small	PU large
F10913	G1 1/4m (R+L)	705	10	100